

| REVISION RECORD | | | | |
|-----------------|-----|-------------|------|------------|
| REV | ECN | DESCRIPTION | DRFT | DATE |
| AO | | NEW | | 2020.11.20 |

NOTES1:

UL Standard

- 1.Rated voltage/current : 320V /20A
- 2.Withstanding voltage : AC2000V/1Min.
- 3.Torque value : M2.5 , 0.4N.m
- 4.Wire range : 28~12AWG

IEC Standard

| | |
|--------------------------|-------|
| 1. Pollution degree | 2 |
| Overvoltage category | II |
| Rate impulse voltage(KV) | 2.5KV |
| Rate voltage(V) | 250V |
| Rate current(A) | 7A |

- 2.Torque value : M2.5 , 4.08kgf.cm
- 3.Wire range : 0.2~3.31mm²

NOTES2:

- 1.Dimension shall be interpreted per ASME Y14.5-2009
- 2.Pitch : 5.08mm, Poles : N=02~24P
- 3.Stripping length : 5~8mm
- 4.Operating temperature:-40°C~+105°C
- 5.Undimensioned tolerances:

| Pitch range in mm | | Nominal dimension range in mm | | | | | | | Tolerances | |
|-------------------|-------|-------------------------------|-------|-------|-------|-------|-------|--------|------------|--|
| TO | Over | TO | Over | TO | Over | TO | Over | 0.1/10 | | |
| 6 | 10 | 10 | 24 | 30 | 60 | 100 | 150 | | < | |
| ±0.15 | ±0.20 | ±0.30 | ±0.30 | ±0.50 | ±0.70 | ±1.00 | ±1.30 | | ±2° | |

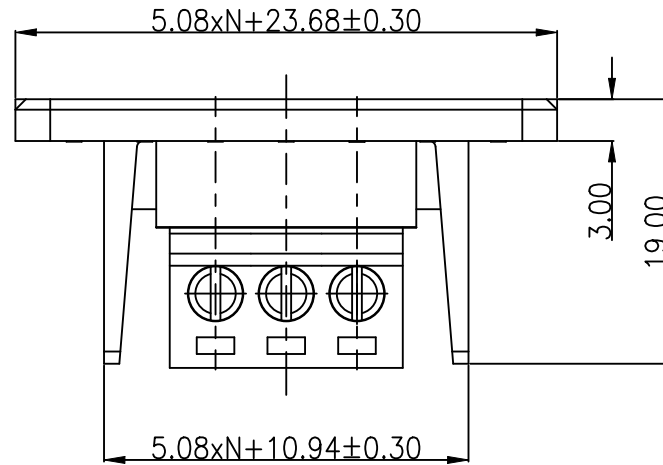
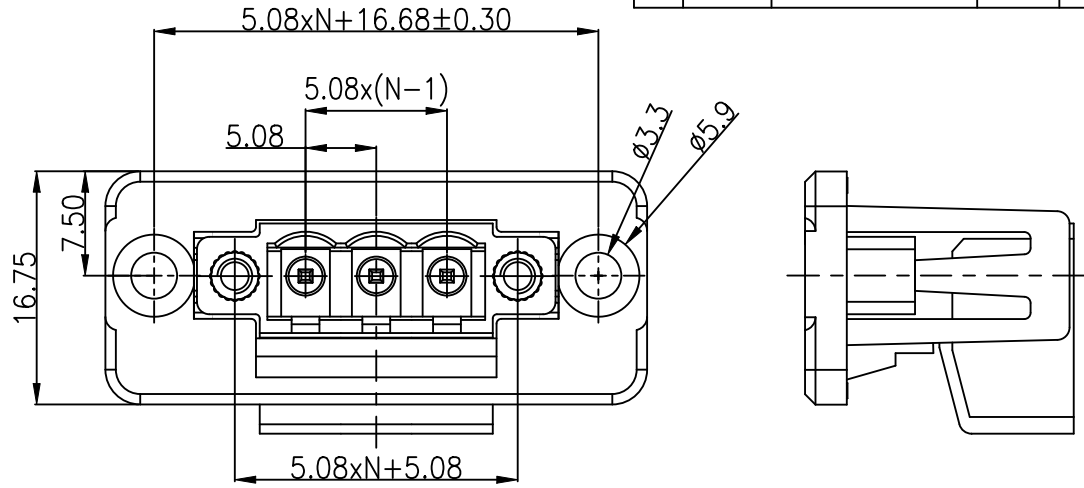
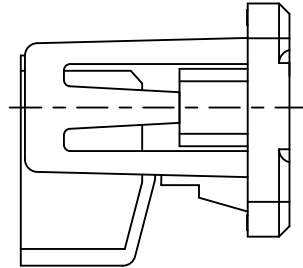
6.RoHS Compliance

Ordering Information

JL2EDGKWC - 508 XX X XX

Pitch 508=5.08PH No.of pins 2~24 Housing Color Serial code

B=Black
G=Green
U=Blue
R=Red
W=White
Y=Yellow
O=Orange
E=Grey



| | | | | | |
|---------|------------------|-------|-----|----------------------------------------------------|------------------------------|
| DRAW | SHUANGPING ZHENG | SCALE | FIT | 东莞市锦凌电子有限公司 DONGGUAN JINLING ELECTRONIC CO.,LTD | |
| | | UNIT | mm | | |
| CHECK | LIULICHAO | SIZE | A4 | | |
| | | SHEET | 1/1 | | |
| APPROVE | GAO YONGLIANG | PROJ. | | PART NO. | JL2EDGKWC-508XXXXX |
| | | | | TITLE: | JL2EDGKWC-5.08-XXP插拔式端子台/两件式 |

X-ON Electronics

Largest Supplier of Electrical and Electronic Components

Click to view similar products for [Pluggable Terminal Blocks](#) category:

Click to view products by [JILN](#) manufacturer:

Other Similar products are found below :

[57.510.0053](#) [721-104/026-047](#) [721-204/026-045](#) [MC 1.5/ 6-ST-3.5 GY AU](#) [ET02015000J0G](#) [860505](#) [860516](#) [860810](#) [GBPACX-12](#)
[93.731.4953.0](#) [PVP03-3,50](#) [PVS02-5,00](#) [1-1986160-3](#) [1377680000](#) [1531000000](#) [1546228-5](#) [ELFP03110](#) [ELFP10210](#) [ELFT07250](#)
[ELVD12100](#) [ELVF09400](#) [ELXH071G0E](#) [1725220000](#) [1760336](#) [1855000000](#) [19346](#) [1946309](#) [1973592](#) [19892](#) [25.320.4053.1](#) [25.320.4553.9](#)
[25.320.4753.1](#) [25.320.5453.1](#) [25.340.0353.1](#) [25.340.1053.1](#) [25.345.3553.0M001](#) [25.640.3553.1](#) [SH02-5,08](#) [SH06-3,81](#) [SH08-5,08](#) [SH08-](#)
[5,08-K](#) [SH12-5,08](#) [SHS04-5,00](#) [30.303](#) [30.305](#) [30.306](#) [PHP09-5,08](#) [25.193.0453.0](#) [25.320.4653.1](#) [25.332.2453.1](#)