

**SPECIFICATIONS**

Rated(额定参数): 300V,10A  
 Dielectric strength(抗电强度): AC1500V/1 Minute  
 Insulation Resistance(绝缘电阻):1000MΩ Min  
 Contact Resistance(接触电阻):20mΩ Max  
 Screw Torque(扭矩): 0.2Nm (1.7Lb.in)  
 Wire Range(线径):26~14AWG  
 Strip length(剥线长度):7~8mm  
 Temp. range(操作温度): -40℃~+105℃  
 MAX Soldering(瞬时温度):+250℃,5s

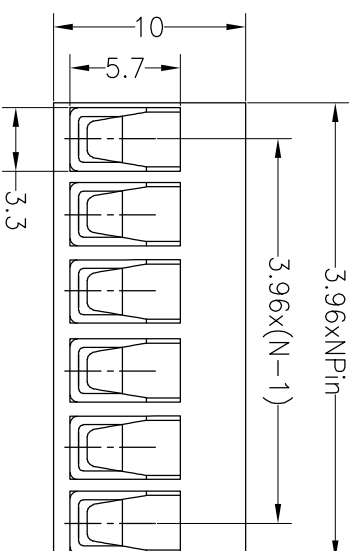
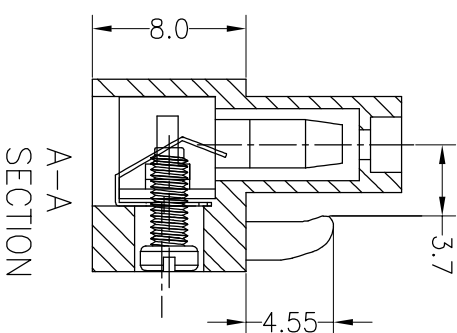
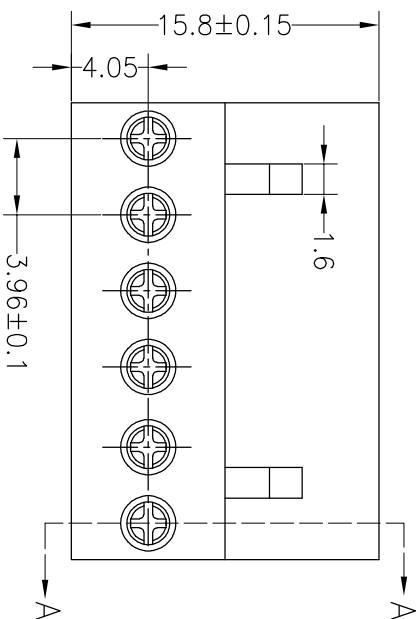
Housing Material(塑件): PA66 (UL94 V-0)  
 Contact(端子): Phosphor Bronze, Tin plating(磷铜镀锡)  
 Screw (螺丝): M2.0,Steel, Zinc plating(钢,镀锌)

PITCH RANGE		NOMINAL DIMENSION RANGE					
IN MM		IN MM		IN MM		IN MM	
OVER	TO	OVER	TO	OVER	TO	OVER	TO
6	10	10	30	60	100	150	150
6	10	24	30	60	100	150	150
±0.10	±0.15	±0.25	±0.30	±0.30	±0.50	±0.70	±1.00

**Ordering Information**

**JL 396 - 396 XX X X 1**

Pitch 396=3.96PH No.of pins 2P~20P Housing Color B=Black G=Green U=Blue R=Red W=White Y=Yellow O=Orange E=Grey  
 Packing O=Pe bog A=Troy T=Tube



OPERATION		DRAW		SCALE	FIT	PART NO.	
XX	±0.30	yiyusheng	19.05.05	UNIT	mm	JL396-396XXXX1	
X.XX	±0.20	CHECK		SIZE	A4	SHENZHEN JINLING ELECTRONIC CO.,LTD	
X.XXX	±0.10	APPROVE		SHEET	1/1	Tel: 86-755-2997-5806/5802 Fax: 86-755-2997-5992	
Angle	±3'			PROU.		深圳市锦凌电子有限公司	
DATE	MODIFICATION DESCRIPTION	CHANGE				SHENZHEN JINLING ELECTRONIC CO.,LTD	
1	2	3	4	5	6	3.96mm Pitch Female Pluggable Terminal Blocks	

## X-ON Electronics

Largest Supplier of Electrical and Electronic Components

*Click to view similar products for [Pluggable Terminal Blocks](#) category:*

*Click to view products by [JILN](#) manufacturer:*

Other Similar products are found below :

[57.510.0053](#) [721-104/026-047](#) [721-204/026-045](#) [MC 1.5/ 6-ST-3.5 GY AU](#) [ET02015000J0G](#) [860505](#) [860516](#) [860810](#) [GBPACX-12](#)  
[93.731.4953.0](#) [PVP03-3,50](#) [PVS02-5,00](#) [1-1986160-3](#) [1377680000](#) [1531000000](#) [1546228-5](#) [ELFP03110](#) [ELFP10210](#) [ELFT07250](#)  
[ELVD12100](#) [ELVF09400](#) [ELXH071G0E](#) [1725220000](#) [1760336](#) [1855000000](#) [19346](#) [1946309](#) [1973592](#) [19892](#) [25.320.4053.1](#) [25.320.4553.9](#)  
[25.320.4753.1](#) [25.320.5453.1](#) [25.340.0353.1](#) [25.340.1053.1](#) [25.345.3553.0M001](#) [25.640.3553.1](#) [SH02-5,08](#) [SH06-3,81](#) [SH08-5,08](#) [SH08-](#)  
[5,08-K](#) [SH12-5,08](#) [SHS04-5,00](#) [30.303](#) [30.305](#) [30.306](#) [PHP09-5,08](#) [25.193.0453.0](#) [25.320.4653.1](#) [25.332.2453.1](#)