

SPECIFICATIONS

Rated(额定参数): 300V,10A
 Dielectric strength(抗电强度): AC1500V/1 Minute
 Insulation Resistance(绝缘电阻):1000MΩ Min
 Contact Resistance(接触电阻):20mΩ Max
 Screw Torque(扭矩): 0.2Nm (1.7Lb.in)
 Wire Range(线径):26~14AWG
 Strip length(剥线长度):7~8mm
 Temp. range(操作温度): -40℃~+105℃
 MAX Soldering(瞬时温度):+250℃,5s

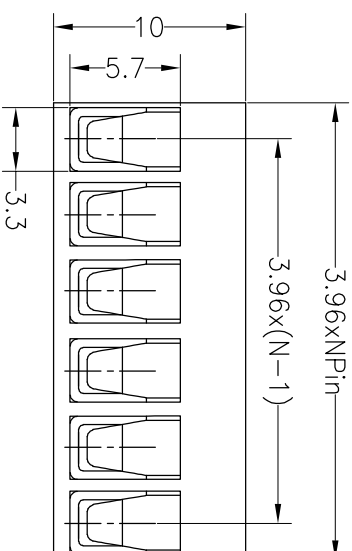
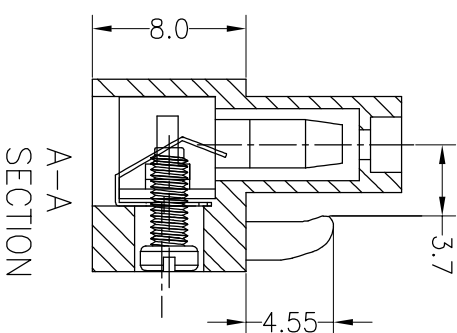
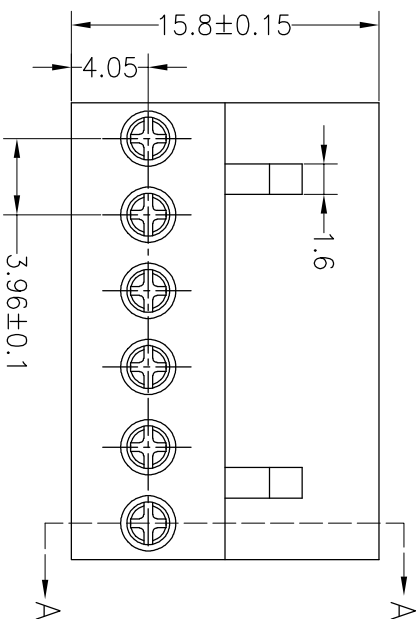
Housing Material(塑件): PA66 (UL94 V-0)
 Contact(端子): Phosphor Bronze, Tin plating(磷铜镀锡)
 Screw (螺丝): M2.0,Steel, Zinc plating(钢,镀锌)

| PITCH RANGE | | NOMINAL DIMENSION RANGE | | | | | |
|-------------|-------|-------------------------|-------|-------|-------|-------|-------|
| IN MM | | IN MM | | IN MM | | IN MM | |
| OVER | TO | OVER | TO | OVER | TO | OVER | TO |
| 6 | 10 | 10 | 30 | 60 | 100 | 150 | OVER |
| 6 | 10 | 24 | 30 | 60 | 100 | 150 | 150 |
| ±0.10 | ±0.15 | ±0.25 | ±0.30 | ±0.30 | ±0.50 | ±0.70 | ±1.00 |

Ordering Information

JL 396 - 396 XX X X 1

Pitch 396=3.96PH No.of pins 2P~20P
 Housing Color
 B=Black G=Green U=Blue R=Red W=White Y=Yellow E=Grey
 Packing
 O=Pe bog A=Troy T=Tube



| REV | DATE | MODIFICATION DESCRIPTION | CHANGE | OPERATION | DRAW | SCALE | FIT | PART NO. | TITLE: |
|-----|------------|--------------------------|--------|--|-----------|-------|-----|----------------|---|
| A0 | 2019.05.05 | NEW DRAWING | | XX ±0.30 X.XX ±0.20 X.XXX ±0.10 | yiyusheng | mm | A4 | JL396-396XXXX1 | 3.96mm Pitch Female Pluggable Terminal Blocks |
| 1 | | | 4 | Angle ±3° | APPROVE | PROU. | | | |

JIN 深圳市锦凌电子有限公司
 SHENZHEN JINLING ELECTRONIC CO.,LTD
 Tel: 86-755-2997-5806/5802 Fax: 86-755-2997-5992

X-ON Electronics

Largest Supplier of Electrical and Electronic Components

Click to view similar products for [Pluggable Terminal Blocks](#) category:

Click to view products by [JILN](#) manufacturer:

Other Similar products are found below :

[57.510.0053](#) [MC 1.5/ 6-ST-3.5 GY AU](#) [ET02015000J0G](#) [734-302](#) [860505](#) [860516](#) [860810](#) [GBPACX-12](#) [93.731.4953.0](#) [PV05-5,08-K](#)
[PVP03-3,50](#) [PVS02-5,00](#) [1-1986160-3](#) [1377680000](#) [1531000000](#) [1546228-5](#) [ELFP03110](#) [ELFP10210](#) [ELFT07250](#) [ELVD12100](#)
[ELVF09400](#) [ELVP03100](#) [ELXH071G0E](#) [1700410](#) [1702246](#) [1705229](#) [1714537](#) [1717806](#) [1719600](#) [1728941](#) [1734692](#) [1740291](#) [1740628](#)
[1740990](#) [1746952](#) [1752865](#) [1754115](#) [1754144](#) [1756913](#) [1760051](#) [1760336](#) [1765111](#) [1776388](#) [1777701](#) [1783410](#) [1800227](#) [1801080](#)
[1809474](#) [1812513](#) [1823215](#)