

SPECIFICATIONS

Rated(额定参数): 300V,10A
 Dielectric strength(抗电强度): AC1500V/1 Minute
 Insulation Resistance(绝缘电阻):1000MΩ Min
 Contact Resistance(接触电阻):20mΩ Max
 Temp. range(操作温度): -40℃~+105℃
 MAX Soldering(瞬时温度):+250°C,5s

Housing Material(塑件): PA66 (UL94 V-0)
 Contact(端子): Brass, Tin plating(黄铜镀锡)

| PITCH RANGE IN MM | NOMINAL DIMENSION RANGE IN MM | | | | | |
|----------------------|----------------------------------|------------|------------------|------------|------------------|-------------------|
| | OVER 6 | OVER 10 | OVER TO 24 | OVER 30 | OVER TO 60 | OVER TO 100 |
| TO 6 | TO 10 | TO 24 | TO 30 | TO 60 | TO 100 | OVER 150 |
| ±0.10 | ±0.15 | ±0.25 | ±0.30 | ±0.30 | ±0.50 | ±0.70 |
| | | | | | | ±1.00 |

Ordering Information

JL 396R - 396 XX X X 1

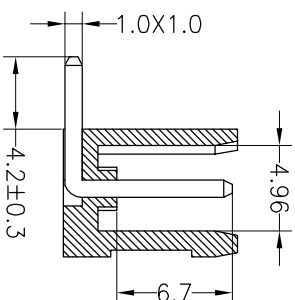
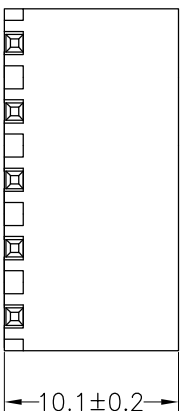
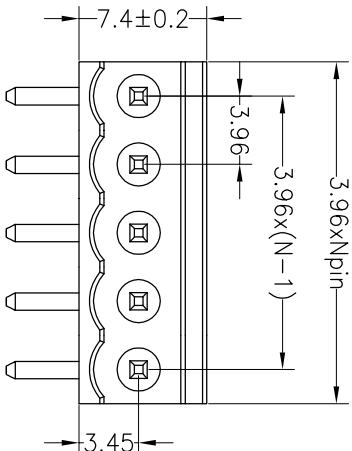
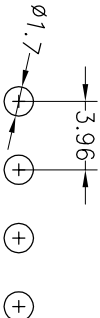
Pitch
396=3.96PH

No.of pins
2P~20P

Housing Color
B=Black
G=Green
U=Blue
R=Red
W=White
Y=Yellow
O=Orange
E=Grey

Packing
O=Pe bog
A=Tray
T=Tube

Recommended P.C.B Layout



| REV | DATE | MODIFICATION DESCRIPTION | CHANGE | OPERATION | | DRAW | yiyusheng | 19.05.05 | SCALE | FIT | PART NO. | TITLE: |
|-----|------------|--------------------------|--------|-----------|-------|---------|-----------|----------|-------|-----|------------------|--|
| | | | | XX | ±0.20 | | | | UNIT | mm | | |
| A0 | 2019.05.05 | NEW DRAWING | | X:XX | ±0.20 | CHECK | | | A4 | 1/1 | JL396R-396XXXXX1 | 3.96mm Pitch Male Pluggable Terminal Blocks |
| 1 | | | | Angle | ±3° | APPROVE | | | | | | |
| | | | | DIM | TOL | | | PROU. | | | | |

JILIN 深圳市锦凌电子有限公司
 SHENZHEN JINLING ELECTRONIC CO.,LTD
 Tel: 86-755-2997-5806/5802 Fax: 86-755-2997-5992

X-ON Electronics

Largest Supplier of Electrical and Electronic Components

Click to view similar products for [Pluggable Terminal Blocks](#) category:

Click to view products by [JILN](#) manufacturer:

Other Similar products are found below :

[57.510.0053](#) [MC 1.5/ 6-ST-3.5 GY AU](#) [ET02015000J0G](#) [860505](#) [860516](#) [860810](#) [GBPACX-12](#) [93.731.4953.0](#) [PV05-5,08-K](#) [PVP03-3,50](#)
[PVS02-5,00](#) [1-1986160-3](#) [1377680000](#) [1531000000](#) [1546228-5](#) [ELFP03110](#) [ELFP10210](#) [ELFT07250](#) [ELVD12100](#) [ELVF09400](#)
[ELVP03100](#) [ELXH071G0E](#) [1700410](#) [1746952](#) [1760336](#) [1800272](#) [1809474](#) [1855000000](#) [19346](#) [1946309](#) [1950227](#) [1973592](#) [19892](#)
[25.320.4053.1](#) [25.320.4553.9](#) [25.320.4753.1](#) [25.320.5453.1](#) [25.340.0353.1](#) [25.340.1053.1](#) [25.345.3553.0M001](#) [25.640.3553.1](#) [SH02-5,08](#)
[SH06-3,81](#) [SH08-5,08](#) [SH08-5,08-K](#) [SH12-5,08](#) [SHS04-5,00](#) [30.303](#) [30.305](#) [30.306](#)