

SPECIFICATIONS

Rated(额定参数): 300V,10A
 Dielectric strength(抗电强度): AC1500V/1 Minute
 Insulation Resistance(绝缘电阻):1000MΩ Min
 Contact Resistance(接触电阻):20mΩ Max
 Temp. range(操作温度): -40℃~+105℃
 MAX Soldering(瞬时温度):+250°C,5s

Housing Material(塑件): PA66 (UL94 V-0)
 Contact(端子): Brass, Tin plating(黄铜镀锡)

PITCH RANGE IN MM	NOMINAL DIMENSION RANGE IN MM					
	OVER 6	OVER 10	OVER TO 24	OVER 30	OVER TO 60	OVER TO 100
TO 6	TO 10	TO 24	TO 30	TO 60	TO 100	OVER 150
±0.10	±0.15	±0.25	±0.30	±0.30	±0.50	±0.70
						±1.00

Ordering Information

JL 396R - 396 XX X X 1

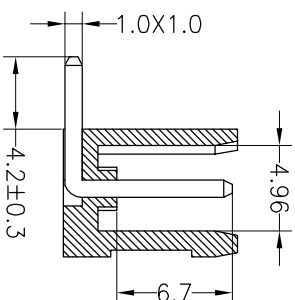
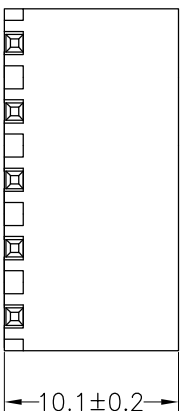
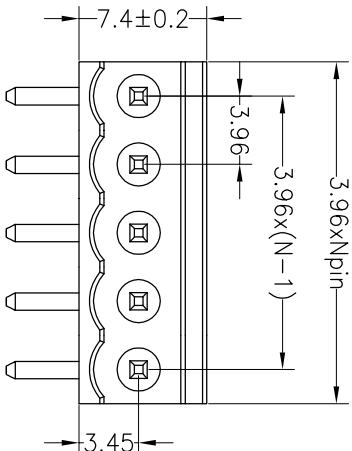
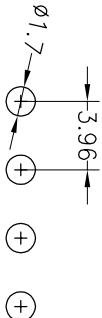
Pitch
396=3.96PH

No.of pins
2P~20P

Housing Color
B=Black
G=Green
U=Blue
R=Red
W=White
Y=Yellow
O=Orange
E=Grey

Packing
O=Pe
bog
A=Tray
T=Tube

Recommended P.C.B Layout



OPERATION		DRAW		SCALE		FIT		PART NO.	
XX	±0.20	yiyusheng	19.05.05	UNIT	mm	1/1	1/1	JL396R-396XXXXX1	
X:XX	±0.20	CHECK		SIZE	A4	SHEET	1/1	3.96mm Pitch Male	
X:XXX	±0.10			PROU.				Pluggable Terminal Blocks	
Angle	±3°	APPROVE		TITLE:					
DIM	TOL			REV 1 DATE 2019.05.05 NEW DRAWING					
CHANGE		MODIFICATION DESCRIPTION		REV 1 DATE 2019.05.05 NEW DRAWING					

JILIN 深圳市锦凌电子有限公司
 SHENZHEN JINLING ELECTRONIC CO.,LTD
 Tel: 86-755-2997-5806/5802 Fax: 86-755-2997-5992

X-ON Electronics

Largest Supplier of Electrical and Electronic Components

Click to view similar products for [Pluggable Terminal Blocks](#) category:

Click to view products by [JILN](#) manufacturer:

Other Similar products are found below :

[57.510.0053](#) [MC 1.5/ 6-ST-3.5 GY AU](#) [ET02015000J0G](#) [860505](#) [860516](#) [860810](#) [GBPACX-12](#) [93.731.4953.0](#) [PV05-5,08-K](#) [PVP03-3,50](#)
[PVS02-5,00](#) [1-1986160-3](#) [1377680000](#) [1531000000](#) [1546228-5](#) [ELFP03110](#) [ELFP10210](#) [ELFT07250](#) [ELVD12100](#) [ELVF09400](#)
[ELVP03100](#) [ELXH071G0E](#) [1700410](#) [1746952](#) [1760336](#) [1800272](#) [1809474](#) [1855000000](#) [19346](#) [1946309](#) [1950227](#) [1973592](#) [19892](#)
[25.320.4053.1](#) [25.320.4553.9](#) [25.320.4753.1](#) [25.320.5453.1](#) [25.340.0353.1](#) [25.340.1053.1](#) [25.345.3553.0M001](#) [25.640.3553.1](#) [SH02-5,08](#)
[SH06-3,81](#) [SH08-5,08](#) [SH08-5,08-K](#) [SH12-5,08](#) [SHS04-5,00](#) [30.303](#) [30.305](#) [30.306](#)