

SPECIFICATIONS

Rated(额定参数): 300V,16A
 Dielectric strength(抗电强度): AC1500V/1 Minute
 Insulation Resistance(绝缘电阻):5000MΩ Min
 Contact Resistance(接触电阻):20mΩ Max
 Screw Torque(扭矩): 0.4Nm (3.5Lb.in)
 Wire Range(线径):26~14AWG
 Strip length(剥线长度):6~7mm
 Temp. range(操作温度): -40℃~+105℃
 MAX Soldering(瞬时温度):+250℃,5s

Housing Material(塑件): PA66 (UL94 V-0)
 Contact(端子): Brass, Tin plating(黄铜镀锡)
 Clamp(方块): Brass/Steel(铜/铁), Ni plating(镍鍍)
 Screw (螺丝): M2.5, Steel, Zinc plating(钢,镀锌)

PITCH RANGE	NOMINAL DIMENSION RANGE					
	IN MM	IN MM	IN MM	IN MM	IN MM	IN MM
TO 6	OVER 10	TO 30	OVER 60	TO 100	OVER 100	TO 150
TO 10	OVER 24	TO 30	OVER 60	TO 100	OVER 100	TO 150
±0.10	±0.15	±0.25	±0.30	±0.30	±0.50	±0.70
						±1.00

Ordering Information

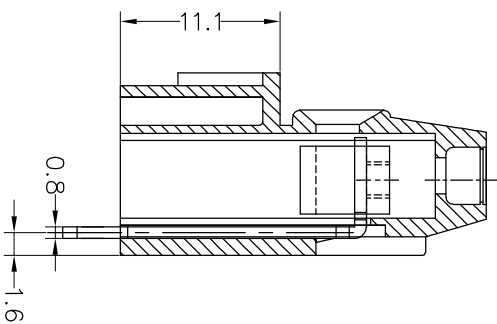
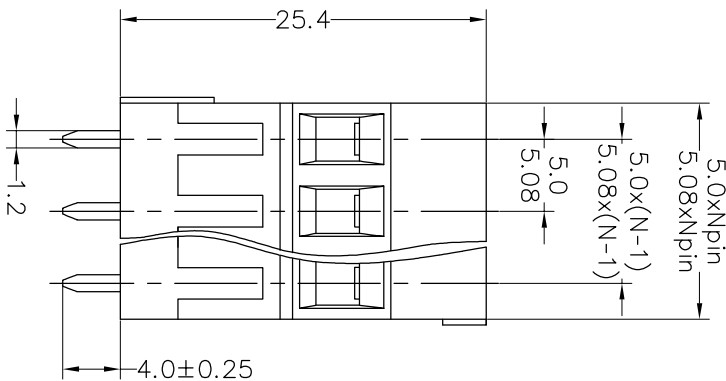
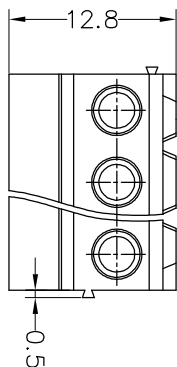
JL 500H - XXX XX X X 1

Pitch
 500=5.0PH
 508=5.08PH

No.of pins
 2P,3P,4P~24P

Housing Color
 B=Black
 G=Green
 U=Blue
 R=Red
 W=White
 Y=Yellow
 O=Orange
 E=Grey

Packing
 O=Pe bag
 A=Tray



REV	DATE	MODIFICATION DESCRIPTION	CHANGE
A0	2019.05.18	NEW DRAWING	
1			

OPERATION	DRAW	BEN	19.05.18
XX	±0.30		
X.XX	±0.20	CHECK	
X:XXX	±0.10		
Angle	±3°	APPROVE	
DIM	TOL		

SCALE	FIT	PROU.	TITLE:
UNIT	mm		
SIZE	A4		
SHEET	1/1		
PART NO.	JL500H-XXXXXXXX1		
SHENZHEN JINLING ELECTRONIC CO.,LTD			
Tel: 86-755-2997-5806/5802 Fax: 86-755-2997-5992			
5.0/5.08mm Terminal Blocks Female			

JILIN 深圳市锦凌电子有限公司

SHENZHEN JINLING ELECTRONIC CO.,LTD

JL500H-XXXXXXXX1

5.0/5.08mm Terminal Blocks Female

X-ON Electronics

Largest Supplier of Electrical and Electronic Components

Click to view similar products for [Fixed Terminal Blocks](#) category:

Click to view products by [JILN](#) manufacturer:

Other Similar products are found below :

[00175550202](#) [MBE-1512](#) [MBE-1520](#) [MBE-154](#) [MBE-156](#) [MBES-1510](#) [MBES-153](#) [MBES-156](#) [MH-2512](#) [MHE-132](#) [MHE-133](#) [MHE-163](#)
[MI-254 \(35\)](#) [MI-272](#) [8739](#) [880507](#) [880508](#) [MPT-275](#) [1546551-6](#) [ELM023100](#) [ELM10110G](#) [ELVD12100](#) [BA311TU](#) [BA411SU](#) [MV-152](#)
[MV-253/NCNOC](#) [MV-254-D](#) [MV-255](#) [MV-462](#) [MV-472](#) [MV-493](#) [MVE-252](#) [MVE-253](#) [MVE-258](#) [MVE-273](#) [MVEB-153](#) [1700096](#)
[1702246](#) [1705142](#) [1712417](#) [1713020](#) [1713088](#) [1776118-2](#) [1790852](#) [1-796689-8](#) [1-796692-6](#) [1800001](#) [1800114](#) [1823215](#) [1838462](#)