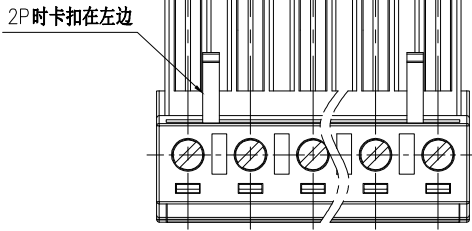


REVISION RECORD				
REV	ECN	DESCRIPTION	DRFT	DATE
A0		NEW		20.12.02

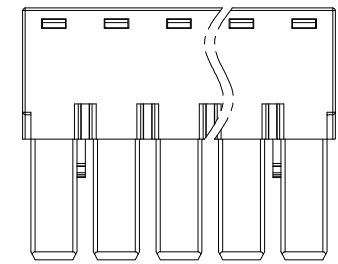
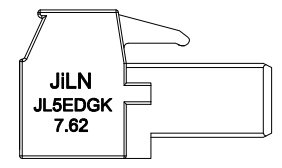
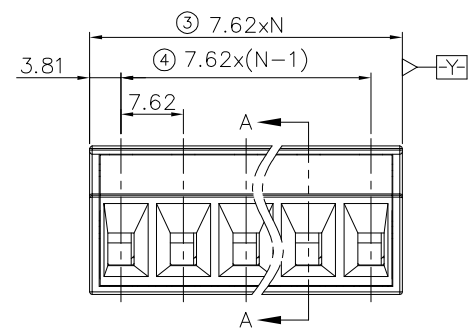
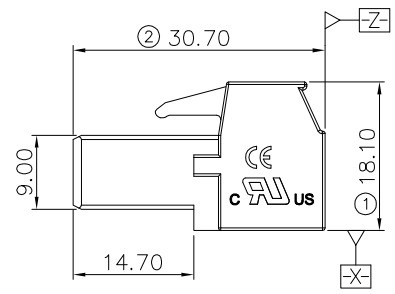
- NOTES1:
- UL Standard
  - 1.Rated voltage/current : 300V / 30A
  - 2.Withstanding voltage : AC1600V/1Min.
  - 3.Torque value : M3 , 4.43Lb.in
  - 4.Wire range : 30~10AWG



- IEC Standard
- |                          |      |
|--------------------------|------|
| Pollution degree         | 2    |
| Overvoltage category     | III  |
| Rate impulse voltage(KV) | 4KV  |
| Rate voltage(V)          | 400V |
| Rate current(A)          | 32A  |
  - Torque value : M3 , 0.5N·m
  - Wire range : 0.2~4.0mm<sup>2</sup>

- NOTES2:
- Dimension shall be interpreted per ASME Y14.5-2009
  - Pitch : 7.62mm, Poles : N=02~12P
  - Stripping length : 8~9mm
  - Operating temperature: -40°C~+105°C
  - Undimensioned tolerances:

Pitch range in mm			Nominal dimension range in mm					-	∩	∠
TO	Over	Over	TO	Over	Over	Over				
6	6 TO 10	10 TO 24	30	30 TO 60	60 TO 100	100 TO 150				
±0.15	±0.20	±0.30	±0.30	±0.50	±0.70	±1.00	±1.30	±2*		



6.RoHS Compliance

**Ordering Information**

**JL5EDGK-762 XX G 0 1**

Pitch 760=7.62PH    No.of pins 2P,3P,4P~12P    Housing Color B=Black G=Green U=Blue R=Red W=White Y=Yellow D=Drange E=Grey    Packing 0=Pe bag T=Tube A=Tray

6	Screw	Steel	M3/Zn Plated	DRAW	SHUANGPING ZHENG	SCALE	FIT	<p><b>JILN</b>® 东莞市锦凌电子有限公司 DONGGUAN JINLING ELECTRONIC CO.,LTD</p>
5	Cage	Copper alloy	M3/Ni Plated			UNIT	mm	
4	Spring	Stainless Steel				SIZE	A4	
3	Clamp	Copper alloy	Sn Plated	CHECK	LICHAD LIU	PART NO.	JL5EDGK-762XXG01	
2	Cover	PA66	UL94V-0			APPROVE	YONGLIANG GAO	
1	Housing	PA66	UL94V-0	PROJ.		TITLE:	JL5EDGK-7.62-XXP 插拔式母座/绿色	
ITEM	NAME OF PART	MATERIAL	NOTES					

## X-ON Electronics

Largest Supplier of Electrical and Electronic Components

*Click to view similar products for [Pluggable Terminal Blocks](#) category:*

*Click to view products by [JILN](#) manufacturer:*

Other Similar products are found below :

[57.510.0053](#) [721-104/026-047](#) [721-204/026-045](#) [MC 1.5/ 6-ST-3.5 GY AU](#) [ET02015000J0G](#) [860505](#) [860516](#) [860810](#) [GBPACX-12](#)  
[93.731.4953.0](#) [PVP03-3,50](#) [PVS02-5,00](#) [1-1986160-3](#) [1377680000](#) [1531000000](#) [1546228-5](#) [ELFP03110](#) [ELFP10210](#) [ELFT07250](#)  
[ELVD12100](#) [ELVF09400](#) [ELXH071G0E](#) [1725220000](#) [1760336](#) [1855000000](#) [19346](#) [1946309](#) [1973592](#) [19892](#) [25.320.4053.1](#) [25.320.4553.9](#)  
[25.320.4753.1](#) [25.320.5453.1](#) [25.340.0353.1](#) [25.340.1053.1](#) [25.345.3553.0M001](#) [25.640.3553.1](#) [SH02-5,08](#) [SH06-3,81](#) [SH08-5,08](#) [SH08-](#)  
[5,08-K](#) [SH12-5,08](#) [SHS04-5,00](#) [30.303](#) [30.305](#) [30.306](#) [PHP09-5,08](#) [25.193.0453.0](#) [25.320.4653.1](#) [25.332.2453.1](#)