

REVISION RECORD				
REV	ECN	DESCRIPTION	DRFT	DATE
AO		NEW		20.12.9

- NOTES1:
- UL Standard
- 1.Rated voltage/current : 600V / 41A
  - 2.Withstanding voltage : AC2200V/1Min.
  - 3.Torque value : M3 , 7.0Lb.in
  - 4.Wire range : 24~8AWG(str)  
24~10AWG(sol)

- IEC Standard
- |                          |       |       |       |
|--------------------------|-------|-------|-------|
| 1. Pollution degree      | 2     | 2     | 3     |
| Overvoltage category     | II    | III   | III   |
| Rate impulse voltage(KV) | 6KV   | 6KV   | 6KV   |
| Rate voltage(V)          | 1000V | 1000V | 1000V |
| Rate current(A)          | 41A   |       |       |
- 2.Torque value : M3 , 0.8N·m
  - 3.Wire range : 0.5~6mm<sup>2</sup>

- NOTES2:
- 1.Dimension shall be interpreted per ASME Y14.5-2009
  - 2.Pitch : 7.62mm, Poles : N=02~12P
  - 3.Stripping length : 11mm
  - 4.Operating temperature: -40°C~+105°C
  - 5.Undimensioned tolerances:

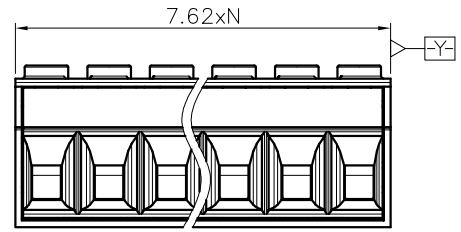
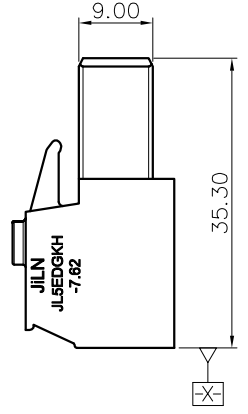
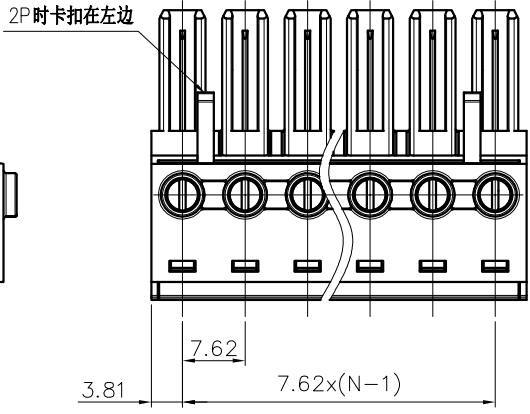
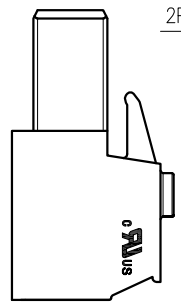
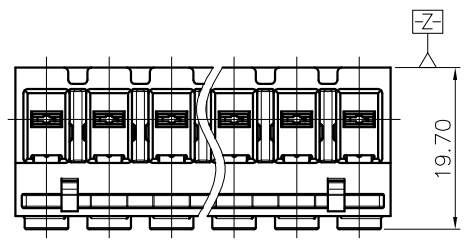
Pitch range in mm		Nominal dimension range in mm						0.1/10
TO	Over	TO	Over	TO	Over	TO	Over	
6	10	30	60	100	150			<
±0.15	±0.20	±0.30	±0.50	±0.70	±1.00	±1.30		±2*

6.RoHS Compliance

**Ordering Information**

**JL5EDGKH-762 XX G 0 1**

Pitch 762=7.62PH    No.of pins 2P,3P,4P~12P    Housing Color B=Black G=Green U=Blue R=Red W=White Y=Yellow D=Orange E=Grey    Packing 0=Pe bag T=Tube A=Tray



DRAW	SHUANGPING ZHENG	SCALE	FIT	<b>JILN</b> ® 东莞市锦凌电子有限公司 DONGGUAN JINLING ELECTRONIC CO.,LTD
CHECK	LICHAD LIU	UNIT	mm	
APPROVE	YONGLIANG GAO	SIZE	A4	PART NO. JL5EDGKH-762XXG01
		SHEET	1/1	TITLE: JL5EDGKH-7.62-XXP 插拔式母座/绿色
		PROJ.		

## X-ON Electronics

Largest Supplier of Electrical and Electronic Components

*Click to view similar products for [Pluggable Terminal Blocks](#) category:*

*Click to view products by [JILN](#) manufacturer:*

Other Similar products are found below :

[57.510.0053](#) [721-104/026-047](#) [721-204/026-045](#) [MC 1.5/ 6-ST-3.5 GY AU](#) [ET02015000J0G](#) [860505](#) [860516](#) [860810](#) [GBPACX-12](#)  
[93.731.4953.0](#) [PVP03-3,50](#) [PVS02-5,00](#) [1-1986160-3](#) [1377680000](#) [1531000000](#) [1546228-5](#) [ELFP03110](#) [ELFP10210](#) [ELFT07250](#)  
[ELVD12100](#) [ELVF09400](#) [ELXH071G0E](#) [1725220000](#) [1760336](#) [1855000000](#) [19346](#) [1946309](#) [1973592](#) [19892](#) [25.320.4053.1](#) [25.320.4553.9](#)  
[25.320.4753.1](#) [25.320.5453.1](#) [25.340.0353.1](#) [25.340.1053.1](#) [25.345.3553.0M001](#) [25.640.3553.1](#) [SH02-5,08](#) [SH06-3,81](#) [SH08-5,08](#) [SH08-](#)  
[5,08-K](#) [SH12-5,08](#) [SHS04-5,00](#) [30.303](#) [30.305](#) [30.306](#) [PHP09-5,08](#) [25.193.0453.0](#) [25.320.4653.1](#) [25.332.2453.1](#)