

REVISION RECORD				
REV	ECN	DESCRIPTION	DRFT	DATE
A0		NEW		20.12.02

NOTES1:

UL Standard

- 1.Rated voltage/current : 300V / 30A
- 2.Withstanding voltage : AC1600V/1Min.
- 3.Torque value : M3 , 4.43Lb.in
- 4.Wire range : 30~10AWG

IEC Standard

1. Pollution degree	2
Overvoltage category	III
Rate impulse voltage(KV)	4KV
Rate voltage(V)	400V
Rate current(A)	32A

- 2.Torque value : M3 , 0.5N·m
- 3.Wire range : 0.2~4.0mm<sup>2</sup>

NOTES2:

- 1.Dimension shall be interpreted per ASME Y14.5-2009
- 2.Pitch : 7.62mm, Poles : N=02~12P
- 3.Stripping length : 8~9mm
- 4.Operating temperature: -40°C~+105°C
- 5.Undimensioned tolerances:

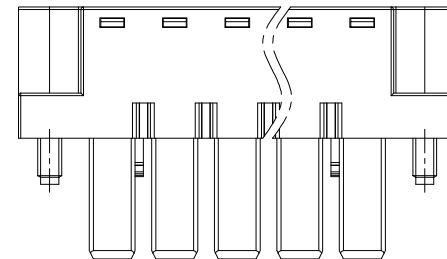
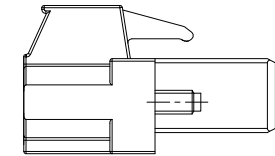
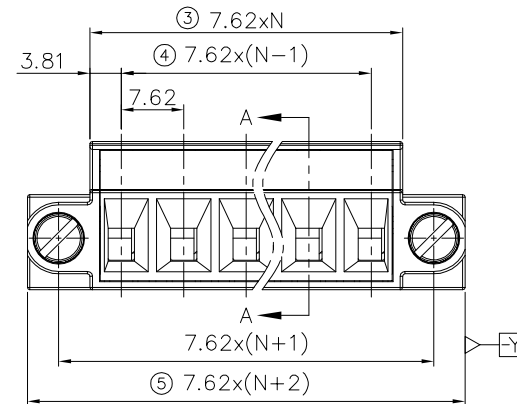
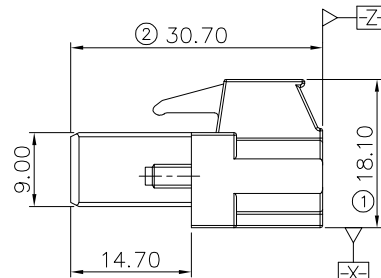
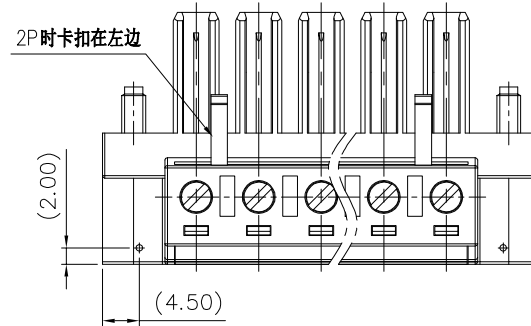
Pitch range in mm		Nominal dimension range in mm						-	$\sqrt{\text{R}}$	$\text{D}$
TO	Over	TO	Over	TO	Over	TO	Over	0.1/10		
6	6 TO 10	10 TO 24	30 TO 30	60 TO 60	100 TO 100	150 TO 150		<		
	±0.15	±0.20	±0.30	±0.30	±0.50	±0.70	±1.00	±1.30	±2*	

6.RoHS Compliance

Ordering Information

**JL5EDGKM-762 XX G 0 1**

Pitch 762=7.62PH  
 No.of pins 2P,3P,4P~12P  
 Housing Color B=Black G=Green U=Blue R=Red W=White Y=Yellow O=Orange E=Grey  
 Packing 0=Pe bag T=Tube A=Tray



ITEM	NAME OF PART	MATERIAL	NOTES
7	Screw	Steel	M3/Zn Plated
6	Screw	Steel	M3/Zn Plated
5	Cage	Copper alloy	M3/Ni Plated
4	Spring	Stainless Steel	
3	Clamp	Copper alloy	Sn Plated
2	Cover	PA66	UL94V-0
1	Housing	PA66	UL94V-0

DRAW	SHUANGPING ZHENG	SCALE	FIT
CHECK	LICHAD LIU	UNIT	mm
APPROVE	YONGLIANG GAO	SIZE	A4
		SHEET	1/1
		PROJ.	

**JILN**® 东莞市锦凌电子有限公司  
DONGGUAN JINLING ELECTRONIC CO.,LTD

PART NO. JL5EDGKM-762XXG01  
TITLE: JL5EDGKM-7.62-XXP 插拔式母座/ 绿色

## X-ON Electronics

Largest Supplier of Electrical and Electronic Components

*Click to view similar products for [Pluggable Terminal Blocks](#) category:*

*Click to view products by [JILN](#) manufacturer:*

Other Similar products are found below :

[57.510.0053](#) [721-104/026-047](#) [721-204/026-045](#) [MC 1.5/ 6-ST-3.5 GY AU](#) [ET02015000J0G](#) [860505](#) [860516](#) [860810](#) [GBPACX-12](#)  
[93.731.4953.0](#) [PVP03-3,50](#) [PVS02-5,00](#) [1-1986160-3](#) [1377680000](#) [1531000000](#) [1546228-5](#) [ELFP03110](#) [ELFP10210](#) [ELFT07250](#)  
[ELVD12100](#) [ELVF09400](#) [ELXH071G0E](#) [1725220000](#) [1760336](#) [1855000000](#) [19346](#) [1946309](#) [1973592](#) [19892](#) [25.320.4053.1](#) [25.320.4553.9](#)  
[25.320.4753.1](#) [25.320.5453.1](#) [25.340.0353.1](#) [25.340.1053.1](#) [25.345.3553.0M001](#) [25.640.3553.1](#) [SH02-5,08](#) [SH06-3,81](#) [SH08-5,08](#) [SH08-](#)  
[5,08-K](#) [SH12-5,08](#) [SHS04-5,00](#) [30.303](#) [30.305](#) [30.306](#) [PHP09-5,08](#) [25.193.0453.0](#) [25.320.4653.1](#) [25.332.2453.1](#)