

NOTES1:

- 1. UL Standard
- 1. Rated voltage/current : 300V / 41A
- 2. Withstanding voltage : AC1600V/1Min.

IEC Standard

| | | | |
|--------------------------|-------|------|------|
| 1. Pollution degree | 2 | 2 | 3 |
| Overvoltage category | II | III | III |
| Rate impulse voltage(KV) | 6KV | 6KV | 6KV |
| Rate voltage(V) | 1000V | 630V | 630V |
| Rate current(A) | | 41A | |

NOTES2:

- 1. Dimension shall be interpreted per ASME Y14.5-2009
- 2. Pitch : 7.62mm, Poles : N=02~12P
- 3. Operating temperature: -40°C~+105°C
- 4. Undimensioned tolerances:

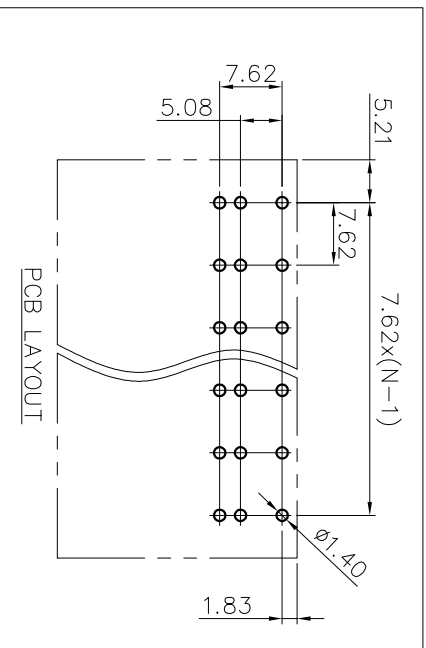
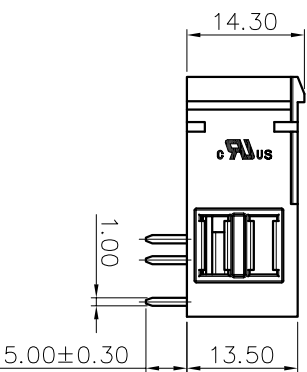
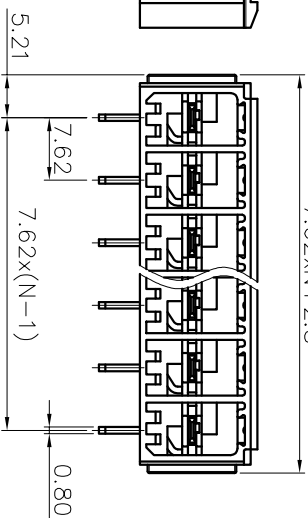
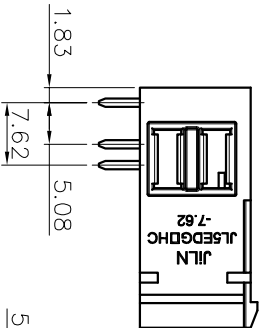
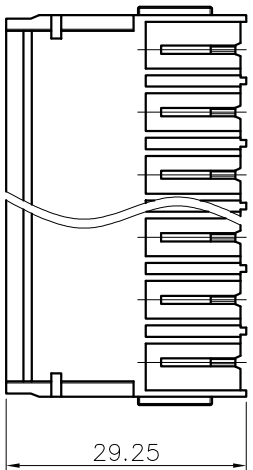
| Pitch range in mm | Nominal dimension range in mm | | | Tolerance |
|--|-------------------------------|----|-------|-----------|
| | Over | TO | Under | |
| 6 | 10 | 30 | 60 | 0.1/10 |
| 10 | 24 | 60 | 100 | < |
| 10 | 30 | 60 | 150 | < |
| ±0.15±0.20±0.30±0.30±0.50±0.70±1.00±1.30 | | | | ±2' |

5. RoHS Compliance

Ordering Information

JL5EDGRHC-762 XX G 0 1

Pitch 762=7.62PH
 No. of pins 2P, 3P, 4P~12P
 Housing Color B=Black, G=Green, U=Blue, R=Red, V=White, Y=Yellow, D=Drange, E=Grey
 Packing 0=Pe-bag, T=Tube, A=Tray



JILIN 东莞市锦凌电子有限公司
 DONGGUAN JINLING ELECTRONIC CO., LTD

PART NO. JL5EDGRHC-762XXG01

TITLE: JL5EDGRHC-7.62-XXP 插拔式公座/绿色/弯脚

| REVISION RECORD | | | |
|-----------------|-----|-------------|----------|
| REV | ECN | DESCRIPTION | DATE |
| A0 | | NEW | 20.12.02 |

| | | | |
|---------|------------------|-------|-----|
| DRAW | SHUANGPING ZHENG | SCALE | FIT |
| CHECK | LICHAD LIU | UNIT | mm |
| APPROVE | YONGLIANG GAO | SIZE | A4 |
| | | SHEET | 1/1 |
| | | PRD | |

X-ON Electronics

Largest Supplier of Electrical and Electronic Components

Click to view similar products for [Pluggable Terminal Blocks](#) category:

Click to view products by [JILN](#) manufacturer:

Other Similar products are found below :

[57.510.0053](#) [721-104/026-047](#) [721-204/026-045](#) [MC 1.5/ 6-ST-3.5 GY AU](#) [ET02015000J0G](#) [860505](#) [860516](#) [860810](#) [GBPACX-12](#)
[93.731.4953.0](#) [PVP03-3,50](#) [PVS02-5,00](#) [1-1986160-3](#) [1377680000](#) [1531000000](#) [1546228-5](#) [ELFP03110](#) [ELFP10210](#) [ELFT07250](#)
[ELVD12100](#) [ELVF09400](#) [ELXH071G0E](#) [1725220000](#) [1760336](#) [1855000000](#) [19346](#) [1946309](#) [1973592](#) [19892](#) [25.320.4053.1](#) [25.320.4553.9](#)
[25.320.4753.1](#) [25.320.5453.1](#) [25.340.0353.1](#) [25.340.1053.1](#) [25.345.3553.0M001](#) [25.640.3553.1](#) [SH02-5,08](#) [SH06-3,81](#) [SH08-5,08](#) [SH08-](#)
[5,08-K](#) [SH12-5,08](#) [SHS04-5,00](#) [30.303](#) [30.305](#) [30.306](#) [PHP09-5,08](#) [25.193.0453.0](#) [25.320.4653.1](#) [25.332.2453.1](#)