

NOTES1:

- UL Standard
- 1. Rated voltage/current : 300V / 30A
- 2. Withstanding voltage : AC1600V/1Min.

IEC Standard

1. Pollution degree	2
Overvoltage category	III
Rate impulse voltage(KV)	4KV
Rate voltage(V)	400V
Rate current(A)	32A

NOTES2:

- 1. Dimension shall be interpreted per ASME Y14.5-2009
- 2. Pitch : 7.62mm, Poles : N=02~12P
- 3. Operating temperature: -30°C~+120°C
- 4. Undimensioned tolerances:

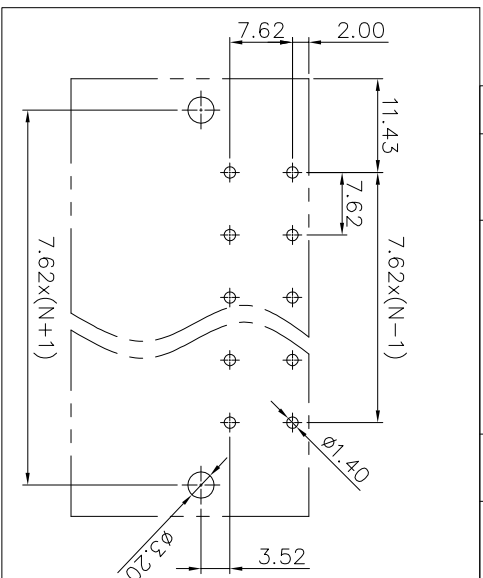
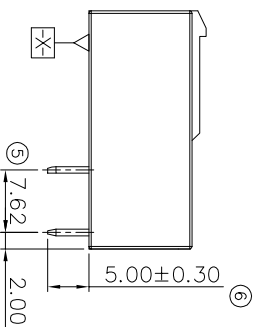
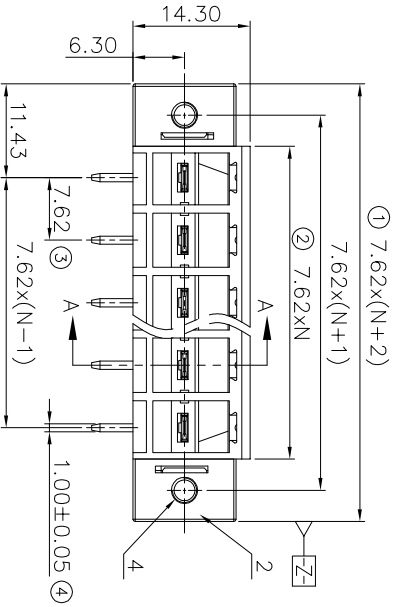
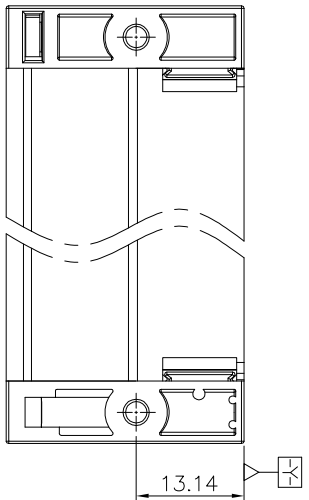
Pitch range in mm		Nominal dimension range in mm			
Over	TO	Over	TO	Over	TO
6	10	30	60	100	150
10	24	30	60	100	150
±0.15/±0.20		±0.30/±0.50		±0.70/±1.00/±1.30	
				±2°	

5. RoHS Compliance

Ordering Information
JL5EDGRM-762 XX G 0 1

Pitch 762=7.62mm
No. of pins 2P, 3P, 4P, 12P
Housing Color
P=Black
B=Green
U=Blue
R=Red
W=White
Y=Yellow
D=Orange
E=Grey

Packing
0=Pe bag
T=Tube
A=Tray



4	Nut	Steel	M3/Zn Plated
3	Pin header	Copper	Sn Plated
2	Housing 2	PBT	UL94V-0
1	Housing 1	PBT	UL94V-0

DRAW	SHUANGPING ZHENG
CHECK	LICHAD LIU
APPROVE	YONGLIANG GAO

SCALE	FIT
UNIT	mm
SIZE	A4
SHEET	1/1
PRD	

<p>JILIN 东莞市锦凌电子有限公司 DONGGUAN JINLING ELECTRONIC CO., LTD</p>	
PART NO.	JL5EDGRM-762XXG01
TITLE:	JL5EDGRM-762-XXP 插拔式公座/绿色

REVISION RECORD				
REV	ECN	DESCRIPTION	DRFT	DATE
A0		NEW		20.12.02

X-ON Electronics

Largest Supplier of Electrical and Electronic Components

Click to view similar products for [Pluggable Terminal Blocks](#) category:

Click to view products by [JILN](#) manufacturer:

Other Similar products are found below :

[57.510.0053](#) [721-104/026-047](#) [721-204/026-045](#) [MC 1.5/ 6-ST-3.5 GY AU](#) [ET02015000J0G](#) [860505](#) [860516](#) [860810](#) [GBPACX-12](#)
[93.731.4953.0](#) [PVP03-3,50](#) [PVS02-5,00](#) [1-1986160-3](#) [1377680000](#) [1531000000](#) [1546228-5](#) [ELFP03110](#) [ELFP10210](#) [ELFT07250](#)
[ELVD12100](#) [ELVF09400](#) [ELXH071G0E](#) [1725220000](#) [1760336](#) [1855000000](#) [19346](#) [1946309](#) [1973592](#) [19892](#) [25.320.4053.1](#) [25.320.4553.9](#)
[25.320.4753.1](#) [25.320.5453.1](#) [25.340.0353.1](#) [25.340.1053.1](#) [25.345.3553.0M001](#) [25.640.3553.1](#) [SH02-5,08](#) [SH06-3,81](#) [SH08-5,08](#) [SH08-](#)
[5,08-K](#) [SH12-5,08](#) [SHS04-5,00](#) [30.303](#) [30.305](#) [30.306](#) [PHP09-5,08](#) [25.193.0453.0](#) [25.320.4653.1](#) [25.332.2453.1](#)