

SPECIFICATIONS

Rated (额定参数): 300V, 20A
 Dielectric strength (抗电强度): AC2000V/1 Minute
 Insulation Resistance (绝缘电阻): 1000MΩ Min
 Contact Resistance (接触电阻): 20mΩ Max
 Screw Torque (扭矩): 0.4Nm (3.5lb.in)
 Wire Range (线径): 1.6~2.2AWG
 Temp. range (操作温度): -40°C~+105°C
 MAX Soldering (瞬时温度): +250°C, 5s

Housing Material (塑件): PA66 (UL94 V-0)
 Contact (端子): Brass, Tin plating (黄铜镀锡)
 Screw (螺丝): M2.5, Steel, Ni plating (钢, 镀锌)

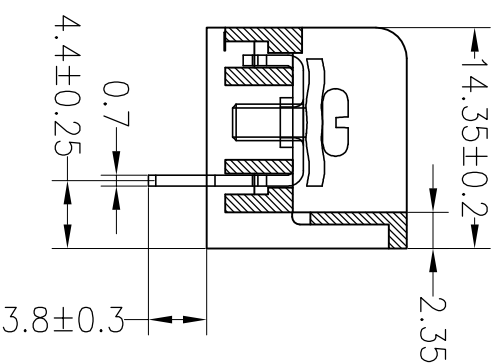
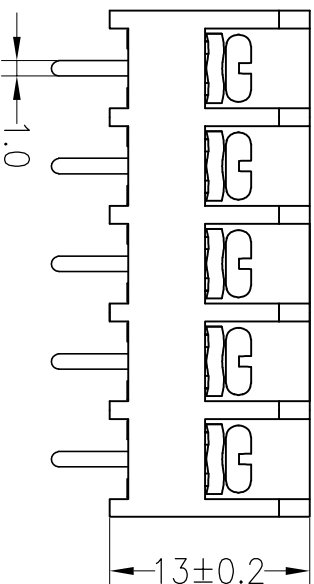
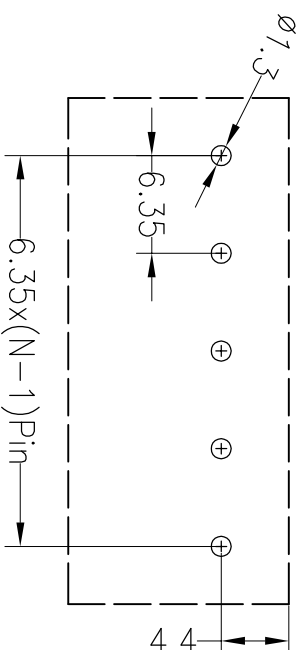
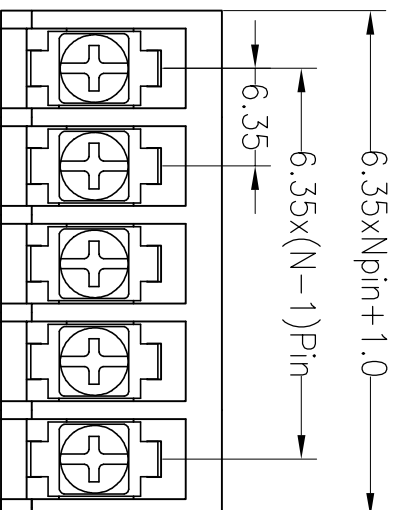
| PITCH RANGE IN MM | NOMINAL DIMENSION RANGE | | | | |
|----------------------|-------------------------|------------|------------|------------|------------|
| | OVER TO | OVER TO | OVER TO | OVER TO | OVER TO |
| 6 TO 10 | 10 TO 24 | 30 TO 60 | 60 TO 100 | 100 TO 150 | 150 TO 150 |
| ±0.10 | ±0.15 | ±0.25 | ±0.30 | ±0.50 | ±0.70 |
| | | | | | ±1.00 |

Ordering Information

JL635 - 635 XX X X 1

Pitch 635=6.35PH
 No. of pins 2P~20P
 Housing Color
 B=Black
 G=Green
 U=Blue
 R=Red
 W=White
 Y=Yellow
 O=Orange
 E=Grey

Packing
 0=Pe bag
 T=Tube
 A=Troy



| OPERATION | DRAW | SCALE | FIT |
|-------------|-----------|-------|-----|
| XX ±0.30 | yiyusheng | UNIT | mm |
| X.XX ±0.20 | CHECK | SIZE | A4 |
| X.XXX ±0.10 | APPROVE | SHEET | 1/1 |
| Angle ±3° | | PROJ. | |
| DIM TOL | | | |

| DATE | MODIFICATION DESCRIPTION | CHANGE |
|------------|--------------------------|--------|
| 2019.03.29 | NEW DRAWING | |

JILIN 深圳市锦凌电子有限公司
 SHENZHEN JINLING ELECTRONIC CO.,LTD
 Tel: 86-755-2997-5806/5802 Fax: 86-755-2997-5992

PART NO. JL635-635XXXX1
 TITLE: 6.35mm Terminal Blocks Female

X-ON Electronics

Largest Supplier of Electrical and Electronic Components

Click to view similar products for [Barrier Terminal Blocks](#) category:

Click to view products by [JILN](#) manufacturer:

Other Similar products are found below :

[CTA-0103](#) [6PCR-02-008](#) [6PCR-05-008](#) [6PCR-08-008](#) [6PCR-21-006](#) [6PCV-06-008](#) [6PCV-10-009](#) [6PCV-15-008](#) [6STR-06-006](#) [6STR-08-006](#) [6STR-12-008](#) [6STR-14-008](#) [6STR-16-008](#) [6STR-17-008](#) [6STR-21-008](#) [6STR-25-008](#) [6STR-27-008](#) [6STV-03-006](#) [6STV-03-008](#) [6STV-04-006](#) [6STV-10-006](#) [6WWR-03](#) [6WWV-11-008](#) [6WWV-12-008](#) [6WWV-16-008](#) [7-1546701-0](#) [72212603](#) [72503-C](#) [73203](#) [76007](#) [7606-602LF](#) [77010-50](#) [796985-3](#) [796988-4](#) [7C1N08](#) [8-1437402-5](#) [8-1437402-7](#) [8-1546158-0](#) [870505](#) [870903](#) [8PCR-06-006](#) [8PCV-02-008](#) [8PCV-04-008](#) [8PCV-05-008](#) [8PCV-09-006](#) [8PCV-15-006](#) [8PCV-16-006](#) [8PCV-17-006](#) [8QCR-03-008](#) [8STV-04-006](#)