

SPECIFICATIONS

Rated(额定参数): 300V,30A
 Dielectric strength(抗电强度): AC3000V/1 Minute
 Insulation Resistance(绝缘电阻):1000MΩ Min
 Contact Resistance(接触电阻):20mΩ Max
 Screw Torque(扭矩): 0.5Nm (4.4lb.in)
 Wire Range(线径):1.0~26AWG
 Strip length(剥线长度):6-7mm
 Temp. range(操作温度): -40℃~+105℃
 MAX Soldering(瞬时温度):+250℃,5s

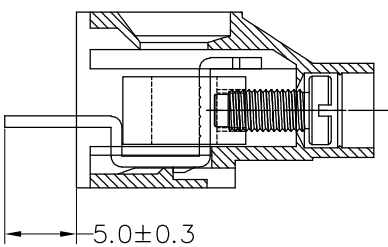
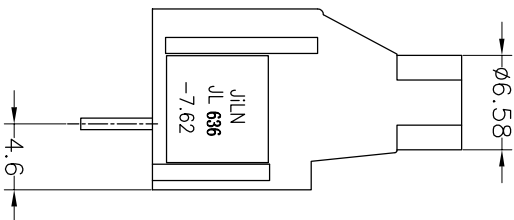
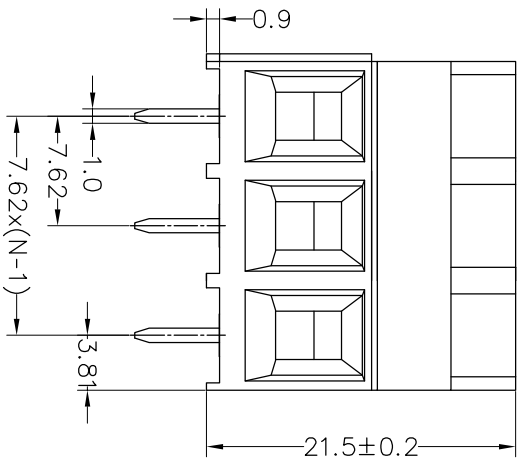
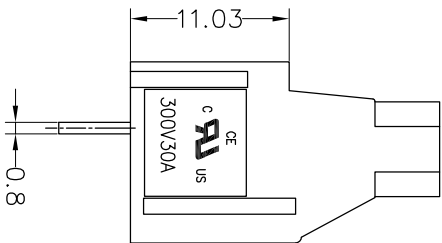
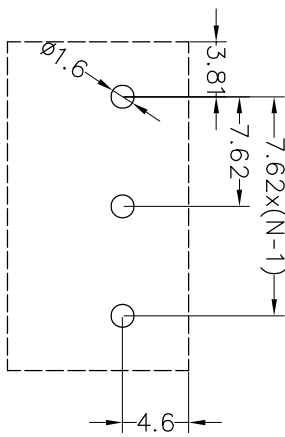
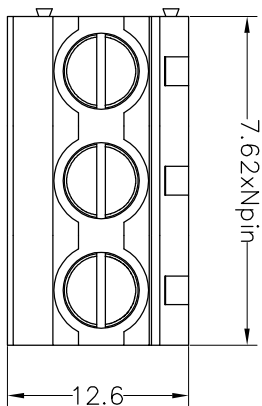
Housing Material(塑件): PA66 (UL94 V-0)
 Contact(端子): Brass, Tin plating(黄铜镀锡)
 Clamp(方块): Brass/Steel(铜/铁), Ni plating(镍鍍)
 Screw (螺丝): M3.0, Steel, Zinc plating(钢镀锌)

PITCH RANGE IN MM	NOMINAL DIMENSION RANGE IN MM					
	OVER 6	OVER 10	OVER TO 24	OVER 30	OVER TO 60	OVER TO 100
±0.10	±0.15	±0.25	±0.30	±0.30	±0.50	±0.70
TO 6	TO 10	TO 24	TO 30	TO 60	TO 100	TO 150
						OVER 150

Ordering Information

JL 636 - 762 XX G X 1

Pitch
762=7.62PH
No. of pins
2P,3P,4P~12P
Housing Color
B=Black
G=Green
U=Blue
R=Red
W=White
Y=Yellow
O=Orange
F=Grey
Packing
O=Pe, bag
T=Tube
A=Tray



Recommended P.C.B Layout(Top Side)
 (PCB BOARD TOLERANCE±0.05)

REV	DATE	MODIFICATION DESCRIPTION	CHANGE	DIM	TOL	APPROVE	SCALE	FIT	TITLE:
A0	2019.10.18	NEW DRAWING		Angle	±3°	APPROVE	UNIT mm	A4	PART NO. JL636-762XXGX1
1							SCALE mm	1/1	7.62mm Terminal Blocks Female

JILIN 深圳市锦凌电子有限公司
 SHENZHEN JINLING ELECTRONIC CO.,LTD
 Tel: 86-755-2997-5806/5802 Fax: 86-755-2997-5992

X-ON Electronics

Largest Supplier of Electrical and Electronic Components

Click to view similar products for [Fixed Terminal Blocks](#) category:

Click to view products by [JILN](#) manufacturer:

Other Similar products are found below :

[MBE-1512](#) [MBE-1520](#) [MBE-154](#) [MBE-156](#) [MBES-156](#) [MH-2512](#) [MHE-132](#) [MHE-163](#) [MI-254 \(35\)](#) [MI-272](#) [MPT-275](#) [ELM10110G](#)
[BA311TU](#) [BA411SU](#) [MV-253/NCNOC](#) [MV-254-D](#) [MV-255](#) [MV-493](#) [MVE-252](#) [MVE-253](#) [MVE-273](#) [MVEB-153](#) [1700096](#) [1705142](#)
[1712417](#) [1713088](#) [1745195](#) [1760594](#) [1-796689-8](#) [1-796692-6](#) [1800114](#) [20020314-C121B01LF](#) [20020316-G041B01LF](#) [KP03215000J0G](#)
[KP04215000J0G](#) [S451](#) [29.007](#) [29.116](#) [30.103](#) [30.106](#) [30.503](#) [30.608](#) [30.755](#) [30.853](#) [9872-0-00-15-00-00-33-0](#) [996750](#) [1706303](#) [1710052](#)
[1712418](#) [1733868](#)