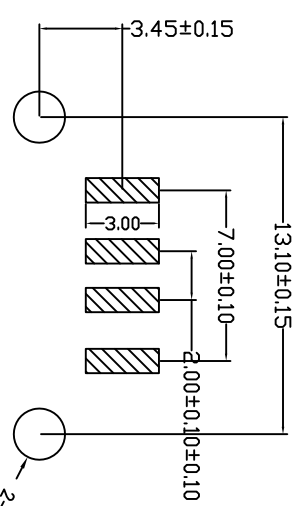
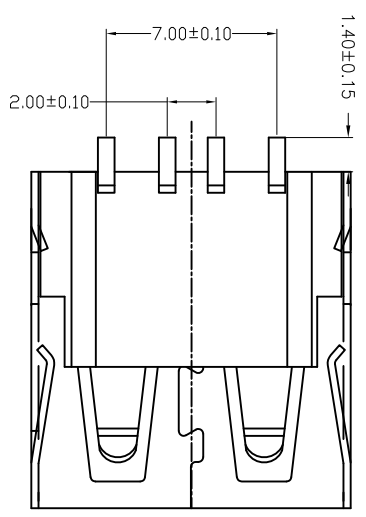
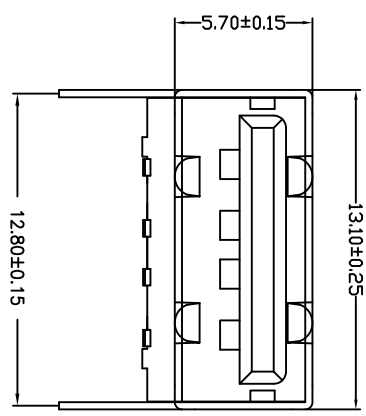
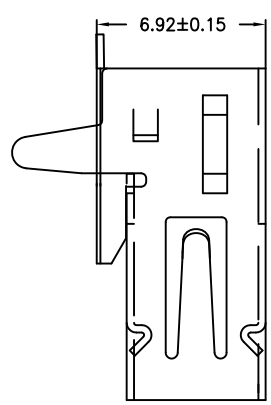


| | | |
|------------|----------------------|-------------|
| 目錄 MAPX | 變更內容 MODIFICATION | 日期 DATE |
| Δ | 側彈變更 | 2013. 3. 10 |



PCB LAYOUT

NOTES:

- Housing: Thermoplastics
- Contact: Copper Alloy
- Shell: Copper Alloy/Steel
- Voltage Current Rating: 1.5 AMP. 30V AC
- Insulation Resistance: 1000MΩ Min.
- Contact Resistance: 30 MΩ Max.
- Dielectric Withstanding Voltage: 500W AC
- Temperature Range: -35°C to +85°C
- Insulator color: Black/White
- Plastic material: PBT/LCP/Others
- Shell finish: Nickel plated/Tin-Lead plated
- Mechanical:
- Mating Force: 3.5KG MAX
- Umating Force: 0.7 KG MIN.
- Contact finish:
- 01: Selective Gold Flash
- 02: Selective Gold 3U"
- 03: Selective Gold 5U"
- 04: Selective Gold 15U"
- 05: Selective Gold 30U"

深圳市精拓金电子有限公司

| | | | |
|--------------------------|--------------------|-------------------------------------|----------------------|
| 产品图 PRODUCT CHART DWG | | 公差一览表 TOLERANCE UNLESS OTHERWISE | |
| X | ±0.25 | X' | ±5° |
| .X | ±0.20 | .X' | ±2° |
| .XX | ±0.15 | .XX' | ±1° |
| .XXX | ±0.10 | .XXX' | ±0.5° |
| 单位 UNITS | MM | 制图 DRAWING | Z-Y-B |
| 比例 SCALE | 1:1 | 审核 CHECK | 郭治富 |
| 日期 DATE | 2014.10.20 | 核准 APPRO | 黄国荣 |
| 产品料号 PRODUCT PART NO. | 903-242A202BS10200 | 产品名称 PRODUCT NAME | 炸无后盖直脚无边侧弹贴片无柱0P黑胶ST |
| 角法 VIEW | ⊕ | 版本 VER | A0 |

X-ON Electronics

Largest Supplier of Electrical and Electronic Components

Click to view similar products for [USB Connectors](#) category:

Click to view products by [Jing](#) manufacturer:

Other Similar products are found below :

[950](#) [MUSBD11135](#) [17-200721](#) [217450-1](#) [KMBVX-TH-5S-B30](#) [KUSBX-AS2N-W](#) [KUSBX-SMT2AP1S-W30](#) [935](#) [957](#) [30-498-6](#) [SK-60A-2](#)
[1734082-1](#) [30-470](#) [30-489](#) [30-541](#) [A-USB A-2P-C](#) [MIKROE-1451](#) [USBFTVSCCG](#) [1-1734084-2](#) [10135326-001LF](#) [4198](#) [USB-A-D-VT](#)
[USB-A-S-RA-TSMT](#) [1310-1023-02](#) [690-024-633-031](#) [UB-20PMFP-LC7001](#) [17-200011](#) [UB-20AFMM-LL7A01](#) [1040870124](#) [CAP-](#)
[WCCMLPB1](#) [CAP-WCCMLPC1](#) [2274475-3](#) [UB-20BMFA-SL8001](#) [914-614A2025S10200](#) [USB3FTV7SAGF059](#) [ZX40-B-5S-1500-](#)
[STDA\(30\)](#) [GSB3116344HR](#) [USB3FTV2SAZNF459](#) [USB3FTV7SAZNF459](#) [U221-041N-1WVS62-F5D](#) [HYCW153-USBD05-500B](#)
[HYCW219-USBD05-075B](#) [HYCW148-USBD05-117B](#) [HYCW149-USBD05-740B](#) [HYCW204-USBD05-108B](#) [HYCW214-USBA04-113B](#)
[HYCW213-USBA04-113B](#) [UB-20AMFM-SL7A01](#) [KMMX-BSMT35S-1-B30TR](#) [2345986-1](#)