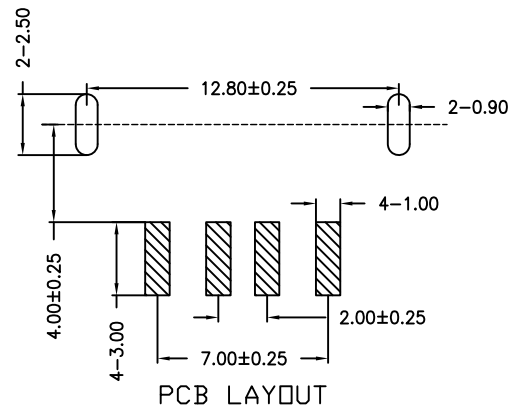
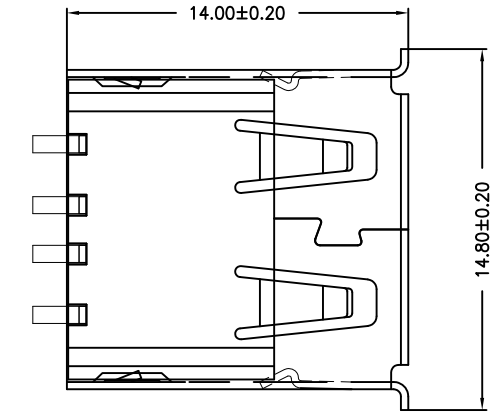
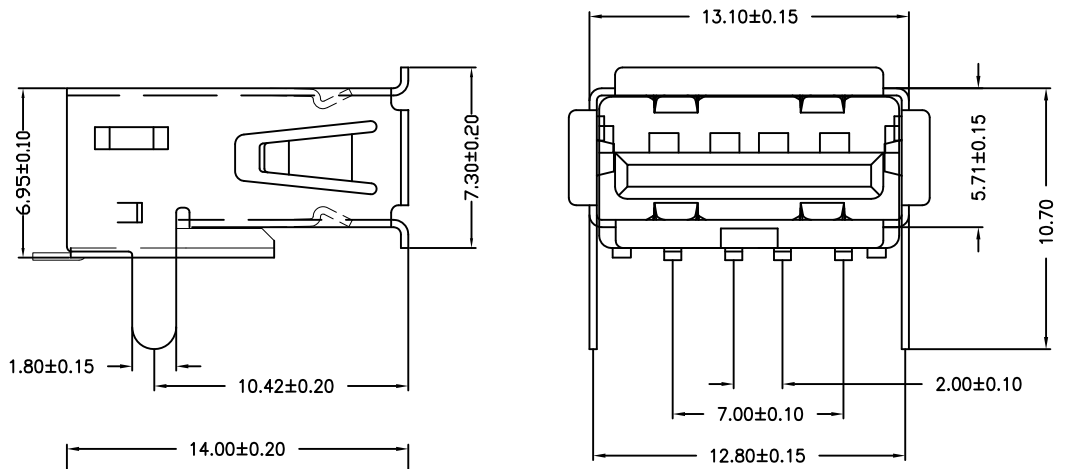


目錄 <b>MAPX</b>	設變內容 <b>MODIFICATION</b>	日期 <b>DATE</b>



NOTE:

- Material:
  - Housing: Thermoplastics, UL94V-0 (ROHS, HF)
  - Contact: Phosphor Bronze C5191-EH/C2680-EH, T=0.25mm
  - Shell: COPPER ALLOY T=0.30mm
- FINISH:
  - Contact: 15u" Gold Plated on Contact Area, 80u" Min. Tin Plated on Solder Area, 50u" Min. Nickel Underplating Over All.
  - Shell: 50u" Min. Nickel Underplating Over All.
- Specification:
  - Rating:
    - Rated voltage 500V AC/DC. Rated current: 2 A Max.
  - Electrical:
    - Insulation Resistance (EIA-364-21): 1000MΩ Min. at 500V/DC for 1Minute.
    - Contact Resistance (EIA-364-23): 30 mΩ Max. at 20mV Max, 50mA
    - Dielectric Withstanding Voltage (EIA-364-20): No discharge, flashover or breakdown at 500V/AC 1Minute
- Plug extraction force shall be between 1.0kgf and 2.00kgf
- Contact finish:
  - 01: Selective Gold Flash
  - 02: Selective Gold 1U"
  - 03: Selective Gold 3U"
  - 04: Selective Gold 5U"
  - 05: Selective Gold 15U"
  - 06: Selective Gold 30U"

产品图 PRODUCT CHART DWG		深圳市精拓金电子有限公司								
公差一览表 TOLERANCE UNLESS OTHERWISE				单位 UNITS	MM	制图 DRAWING	Z-Y-B	产品料号 PRODUCT PART NO.	903-242B2023S10210	
X.	±0.25	X'	±5'	比例 SCALE	1:1	审核 CHKD	日期 DATE	产品名称 PRODUCT NO.	AF无后盖直脚有边内弹14.0铜壳反向一型加宽LCP黑胶SMT	
.X	±0.20	.X'	±2'						核准 APPD	2015.03.14
.XX	±0.15	.XX'	±1'	日期 DATE	2015.03.14	角法 VIEW	版本 VER	A0		
.XXX	±0.10	.XXX'	±0.5'							

## X-ON Electronics

Largest Supplier of Electrical and Electronic Components

*Click to view similar products for [USB Connectors](#) category:*

*Click to view products by [Jing](#) manufacturer:*

Other Similar products are found below :

[950](#) [A-USB A-LP-SMT-C](#) [A-USB B-TOP-C](#) [MUSBD11135](#) [17-200721](#) [217450-1](#) [KMBVX-TH-5S-B30](#) [KUSBX-AS2N-W](#) [KUSBX-SMT2AP1S-W30](#) [935](#) [957](#) [30-498-6](#) [SK-60A-2](#) [1734082-1](#) [30-470](#) [30-489](#) [30-541](#) [MAB 5 S](#) [A-USB A-2P-C](#) [MIKROE-1451](#)  
[USBFTVSCCG](#) [1-1734084-2](#) [MUSBA81130](#) [NK-27-32SL](#) [NK-L8-22C-5/8](#) [10135326-001LF](#) [4198](#) [690-024-633-031](#) [UB-20PMFP-LC7001](#)  
[17-200011](#) [UB-20AFMM-LL7A01](#) [CAP-WCCMLPB1](#) [CAP-WCCMLPC1](#) [2274475-3](#) [914-614A2025S10200](#) [USB3FTV7SAGF059](#)  
[USB3FTV2SAZNF459](#) [USB3FTV7SAZNF459](#) [HYCW153-USBD05-500B](#) [HYCW148-USBD05-117B](#) [HYCW149-USBD05-740B](#)  
[HYCW214-USBA04-113B](#) [HYCW213-USBA04-113B](#) [KMMX-BSMT35S-1-B30TR](#) [2345986-1](#) [10082141-N340LF](#) [10117836-011LF](#)  
[GSB3C3133DSYHR](#) [GT-USB-2014-CWG1](#) [GT-USB-7010ANS](#)