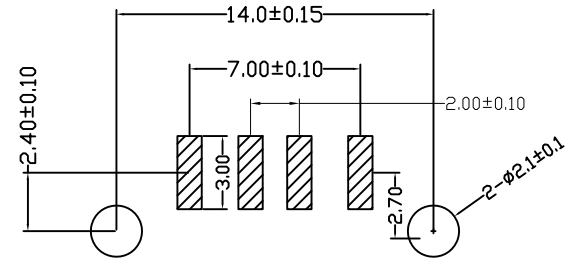
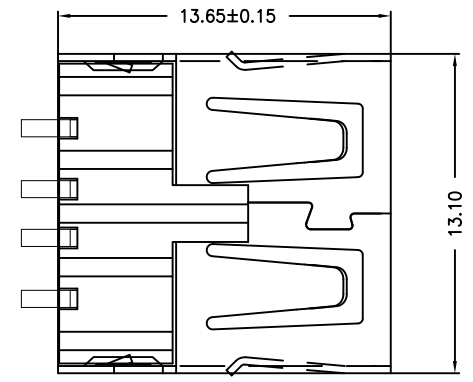
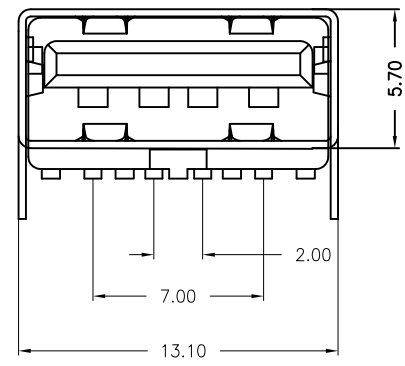
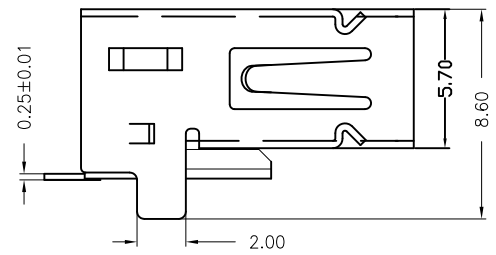


| | | |
|------------|----------------------|------------|
| 目錄 MAPX | 设变内容 MODIFICATION | 日期 DATE |
| | | |



PCB LAYOUT

NOTES:
Housing: Thermoplastics,UL94V-0
Contact: Copper Alloy
Shell: Copper Alloy/Steel
Voltage Current Rating:1.5 AMP. 30V AC
Insulation Resistance:1000MΩ Min.
Contact Resistance:30 MΩ Max.
Dielectric Withstanding Voltage:500W AC
Temperature Range:-35°C to +85°C
Insulator color: Black/White
Plastic material:PBT/LCP/Others
Shell finish:Nickel plated/Tin-Lead plated
Mechanical:
Mating Force: 3.5KG MAX
Unmating Force:0.7 KG MIN.
Contact finish:
01: Selective Gold Flash
02: Selective Gold 3U"
03: Selective Gold 5U"
04: Selective Gold 15U"
05: Selective Gold 30U"

备注：侧弹分为外弹与内弹

| | | | | | | | | | | |
|-------------------------------------|-------|-------|-------|--------------|------------|---------------|-----|--------------------------|--------------------|----|
| 产品图 PRODUCT CHART DWG | | | | 深圳市精拓金电子有限公司 | | | | | | |
| 公差一览表 TOLERANCE UNLESS OTHERWISE | | | | 单位 UNITS | MM | 制图 DRAWING | 尹先华 | 产品料号 PRODUCT PART NO. | 903-341A2021S10200 | |
| X. | ±0.25 | X' | ±5' | 比例 SCALE | 1:1 | 审核 CHKD | 郭志富 | 产品名称 PRODUCT NO. | AF无后盖短直脚8.6无边内弹 | |
| .X | ±0.20 | .X' | ±2' | | | | | | 铁壳T型LCP黑胶SMT | |
| .XX | ±0.15 | .XX' | ±1' | 日期 DATE | 2013/11/02 | 核准 APPD | 黄国荣 | 角法 VIEW | 版本 VER | A0 |
| .XXX | ±0.10 | .XXX' | ±0.5' | | | | | | | |

X-ON Electronics

Largest Supplier of Electrical and Electronic Components

Click to view similar products for [USB Connectors](#) category:

Click to view products by [Jing](#) manufacturer:

Other Similar products are found below :

[950](#) [MUSBD11135](#) [17-200721](#) [217450-1](#) [KMBVX-TH-5S-B30](#) [KUSBX-AS2N-W](#) [KUSBX-SMT2AP1S-W30](#) [935](#) [957](#) [30-498-6](#) [SK-60A-2](#)
[1734082-1](#) [30-470](#) [30-489](#) [30-541](#) [A-USB A-2P-C](#) [MIKROE-1451](#) [USBFTVSCCG](#) [1-1734084-2](#) [10135326-001LF](#) [4198](#) [USB-A-D-VT](#)
[USB-A-S-RA-TSMT](#) [1310-1023-02](#) [690-024-633-031](#) [UB-20PMFP-LC7001](#) [17-200011](#) [UB-20AFMM-LL7A01](#) [1040870124](#) [CAP-](#)
[WCCMLPB1](#) [CAP-WCCMLPC1](#) [2274475-3](#) [UB-20BMFA-SL8001](#) [914-614A2025S10200](#) [USB3FTV7SAGF059](#) [ZX40-B-5S-1500-](#)
[STDA\(30\)](#) [GSB3116344HR](#) [USB3FTV2SAZNF459](#) [USB3FTV7SAZNF459](#) [U221-041N-1WVS62-F5D](#) [HYCW153-USBD05-500B](#)
[HYCW219-USBD05-075B](#) [HYCW148-USBD05-117B](#) [HYCW149-USBD05-740B](#) [HYCW204-USBD05-108B](#) [HYCW214-USBA04-113B](#)
[HYCW213-USBA04-113B](#) [UB-20AMFM-SL7A01](#) [KMMX-BSMT35S-1-B30TR](#) [2345986-1](#)