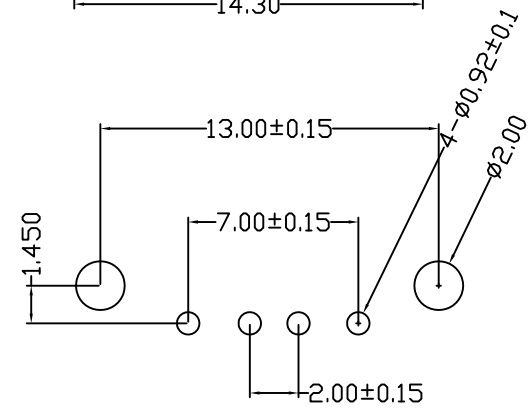
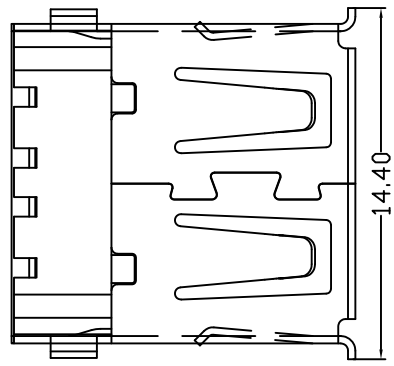
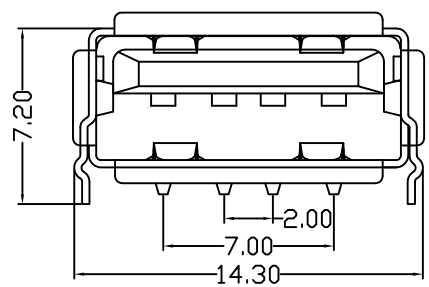
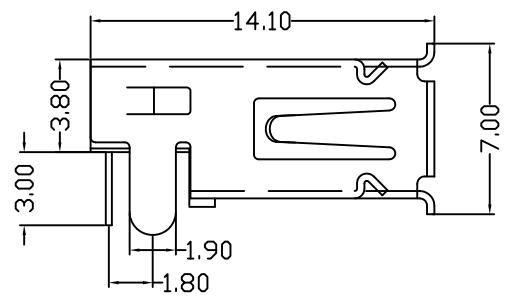


|            |                      |            |
|------------|----------------------|------------|
| 目錄<br>MAPX | 設變內容<br>MODIFICATION | 日期<br>DATE |
|            |                      |            |



RECOMMENDED P.C.B LAYOUT

备注：侧弹分为外弹与内弹

NOTES:  
Housing: Thermoplastics,UL94V-0  
Contact: Copper Alloy  
Shell: Copper Alloy/Steel  
Voltage Current Rating:1.5 AMP. 30V AC  
Insulation Resistance:1000MΩ Min.  
Contact Resistance:30 MΩ Max.  
Dielectric Withstanding Voltage:500W AC  
Temperature Range:-35°C to +85°C  
Insulator color: Black/White  
Plastic material:PBT/LCP/Others  
Shell finish:Nickel plated/Tin-Lead plated  
Mechanical:  
Mating Force:3.5KG MAX  
Unmating Force:0.7 KG MIN.  
Contact finish:

- 01: Selective Gold Flash
- 02: Selective Gold 3U"
- 03: Selective Gold 5U"
- 04: Selective Gold 15U"
- 05: Selective Gold 30U"

|                                     |       |       |       |              |     |               |                     |                          |                    |
|-------------------------------------|-------|-------|-------|--------------|-----|---------------|---------------------|--------------------------|--------------------|
| 产品图<br>PRODUCT CHART DWG            |       |       |       | 深圳市精拓金电子有限公司 |     |               |                     |                          |                    |
| 公差一览表<br>TOLERANCE UNLESS OTHERWISE |       |       |       | 单位<br>UNITS  | MM  | 制图<br>DRAWING | Z-Y-B               | 产品料号<br>PRODUCT PART NO. | 905-151A1021D10100 |
| X.                                  | ±0.25 | X'    | ±5°   | 比例<br>SCALE  | 1:1 | 审核<br>CHKD    | 产品名称<br>PRODUCT NO. | AF90度沉板弯脚有边铁壳PBT黑胶       |                    |
| .X                                  | ±0.20 | .X'   | ±2°   |              |     |               |                     | 日期<br>DATE               | 2009/10/20         |
| .XX                                 | ±0.15 | .XX'  | ±1°   |              |     |               |                     | 版本<br>VER                | A0                 |
| .XXX                                | ±0.10 | .XXX' | ±0.5° |              |     |               |                     |                          |                    |

## X-ON Electronics

Largest Supplier of Electrical and Electronic Components

*Click to view similar products for [USB Connectors](#) category:*

*Click to view products by [Jing](#) manufacturer:*

Other Similar products are found below :

[950](#) [MUSBD11135](#) [17-200721](#) [217450-1](#) [KMBVX-TH-5S-B30](#) [KUSBX-AS2N-W](#) [KUSBX-SMT2AP1S-W30](#) [935](#) [957](#) [30-498-6](#) [SK-60A-2](#)  
[1734082-1](#) [30-470](#) [30-489](#) [30-541](#) [A-USB A-2P-C](#) [MIKROE-1451](#) [USBFTVSCCG](#) [1-1734084-2](#) [10135326-001LF](#) [4198](#) [USB-A-D-VT](#)  
[USB-A-S-RA-TSMT](#) [1310-1023-02](#) [690-024-633-031](#) [UB-20PMFP-LC7001](#) [17-200011](#) [UB-20AFMM-LL7A01](#) [1040870124](#) [CAP-](#)  
[WCCMLPB1](#) [CAP-WCCMLPC1](#) [2274475-3](#) [UB-20BMFA-SL8001](#) [914-614A2025S10200](#) [USB3FTV7SAGF059](#) [ZX40-B-5S-1500-](#)  
[STDA\(30\)](#) [GSB3116344HR](#) [USB3FTV2SAZNF459](#) [USB3FTV7SAZNF459](#) [U221-041N-1WVS62-F5D](#) [HYCW153-USBD05-500B](#)  
[HYCW219-USBD05-075B](#) [HYCW148-USBD05-117B](#) [HYCW149-USBD05-740B](#) [HYCW204-USBD05-108B](#) [HYCW214-USBA04-113B](#)  
[HYCW213-USBA04-113B](#) [UB-20AMFM-SL7A01](#) [KMMX-BSMT35S-1-B30TR](#) [2345986-1](#)