

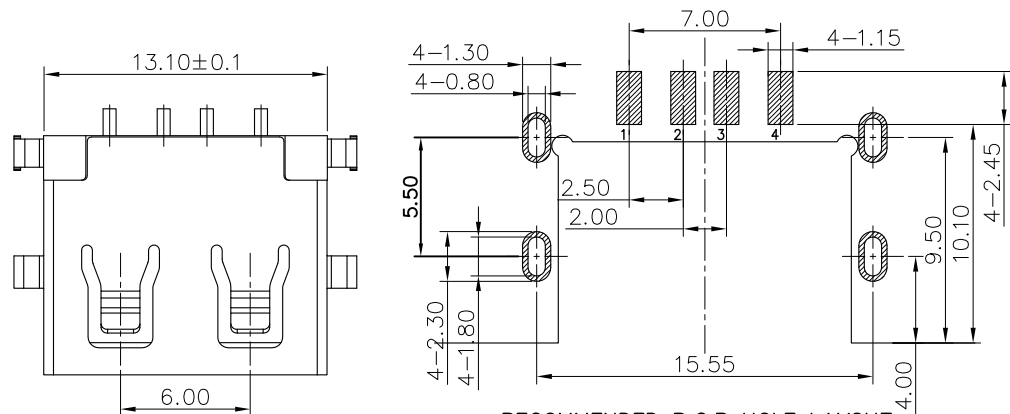
RoHS

MAPX

MODIFICATION

DRW

DATE



RECOMMENDED P.C.B HOLE LAYOUT
COMPONENT SIDE VIEW(TOLERANCE: +/-0.05)

NOTES:

1. MATERIAL

CONTACTS: COPPER ALLOY (T=0.20mm)
SHELL: SPCC OR COPPER(T=0.30mm)
HOUSING: HIGH TEMPERATURE RESISTANT PLASTIC, UL94 V-0.

2. ELECTRICAL PERFORMANCE,

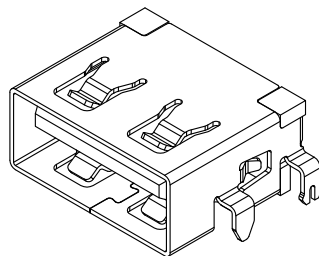
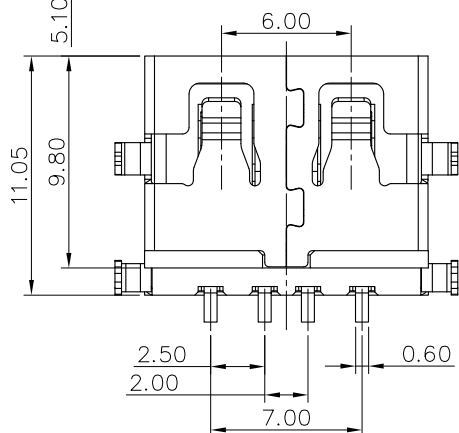
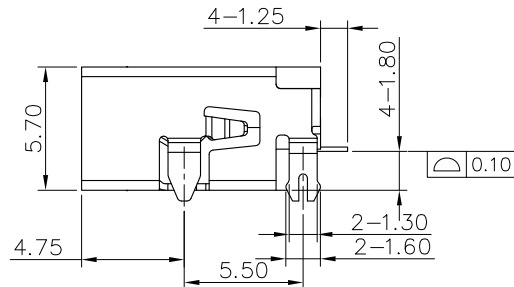
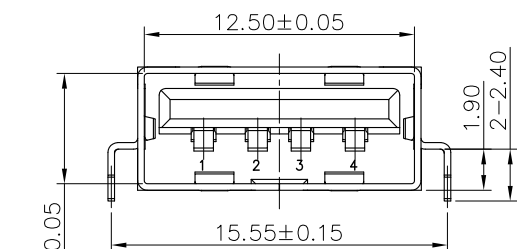
CONTACT RESISTANCE: 30MΩ MAX
CONTACT CURRENT RATING: 1.5 AMPERES
DIELECTRIC WITHSTAND VOLTAGE, 500V R. M. S
INSULATION RESISTANCE: 100MΩ MIN
OPERATING TEMPERATURE: -40° C~+85° C.

3. MECHANICAL PERFORMANCE,

INSERTION FORCE: 3.5kgf Max
REMOVAL FORCE: 1.02kgf Min
DURABILITY: 5000 CYCLES.

4. PLATING SPECIFICATION:

CONTACTS: GOLD PLATED ON CONTACT AREA, Sn ON SOLDER AREA,
NICKEL UNDERPLATED.
SHELL: 80u"MIN BRIGHT NICKEL PLATING OVER ALL,
NICKEL MUST BE SOLDRABILITY.
HOUSING: HIGH TEMPERATURE RESISTANT PLASTIC, UL94 V-0 .



Pin Number	Signal Name
1	VBUS
2	D-
3	D+
4	GND

产品图

PRODUCT CHART DWG

公差一览表

TOLERANCE UNLESS OTHERWISE			
X.	±0.25	X.	±5°
.X	±0.20	.X	±2°
.XX	±0.15	.XX	±1°
.XXX	±0.10	.XXX	±0.5°

深圳市精拓金电子有限公司
Shenzhen Jing Tuo Jin Electronics Co., Ltd.

单位 UNITS	MM	制图 DRAWING	尹先华	制图料号 PRODUCT PART NO.	905-761A2022S10204
比例 SCALE	1:1	审核 CHKD	郭治富	产品名称 PRODUCT NO.	AF11.0沉板1.9四脚插板无边铁壳LCP黑色贴板
日期 DATE	2021-04-12	核准 APPD	黄国荣	角法 VIEW	版本 VER

AO

RoHS

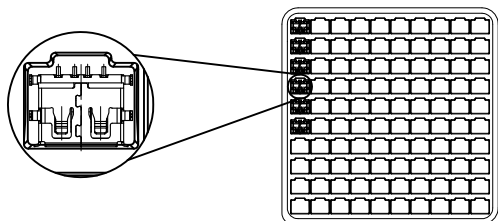
MAPX

MODIFICATION

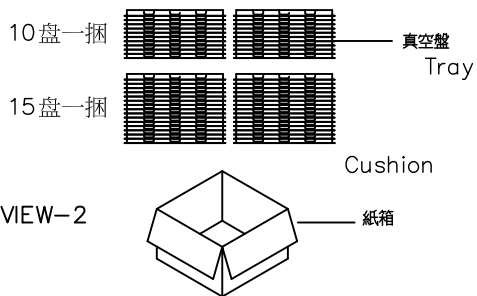
DRW

DATE

一.
將成品依同一方向放入真空盤內,如圖所示。
At same direction, put product onto the tray. Direction refers to below drawing.



- 二. VIEW-1
- 1) 一只紙箱可放置之包裝盤(包括上蓋)見下表。
1) trays per carton, please see next table.
 - 2) 最上面一個真空盤作為上蓋,故不放置成品.貼上標籤。
2) Put cover on the top tray to protect product. Sticking Show.
 - 3). 每1個紙箱用的包裝數量詳見下表。
3) The Q'ty of products per carton please see next tabel.

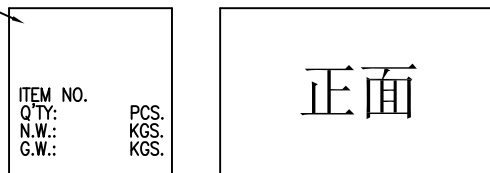


- 4) 將裝滿成品的真空盤用 PE帶捆緊後放在塑膠袋內,裝完後再封箱。
- 4) Bind the trays with PE tape and then, put them into the poly bag. Seal the carton with tape.

三.

- 1). 將標籤貼於紙箱側麥上方。
Stick the needful label On the up-right corner of the side of carton.

標籤黏貼處
Location of Sticking lable



VIEW-3

備註(REMARK)

1. 若有未裝滿之零數箱,必須以緩衝材塞滿。
The unfilling-carton must be filled with assuagement.
2. 裝滿成品后之外箱,最大堆積箱數:5箱。
About the box fully filled with products, the MAX accumulating quantity of boxes is 5.
3. 如須貼Bar-code,請依Bar-code作業辦法執行。
If barcode lable is required, do it according to the related barcode lable operation standards.

包裝明細表 (The detail of the packing) Carton					
包裝容量 (Packing Capacity)			重量 Weight (Kg)		
pcs/box	boxes/Carton	Pcs/Box	N.W./Pcs	N.W./Box	G.W./Box
100	50	5000			

产品图 PRODUCT CHART DWG				深圳市精拓金电子有限公司 Shenzhen Jing Tuo Jin Electronics Co., Ltd.						
公差一览表 TOLERANCE UNLESS OTHERWISE				单位 UNITS	MM	制图 DRAWING	尹先华	制图料号 PRODUCT PART NO.	905-761A2022S10204	
X.	±0.25	X.	±5.°	比例 SCALE	1:1	审核 CHKD	郭治富	产品名称 PRODUCT NO.	AF11. 0沉板1.9四脚插板无边铁壳LCP黑色贴板	
.X	±0.20	.X	±2.°							
.XX	±0.15	.XX	±1.°	日期 DATE	2021-04-12	核准 APPD	黄国荣	角法 VIEW	版本 VER	AO
.XXX	±0.10	.XXX	±0.5°							

X-ON Electronics

Largest Supplier of Electrical and Electronic Components

Click to view similar products for [USB Connectors](#) category:

Click to view products by [Jing](#) manufacturer:

Other Similar products are found below :

[950](#) [MUSBD11135](#) [17-200721](#) [217450-1](#) [KMBVX-TH-5S-B30](#) [KUSBX-AS2N-W](#) [KUSBX-SMT2AP1S-W30](#) [935](#) [957](#) [30-498-6](#) [SK-60A-2](#)
[1734082-1](#) [30-470](#) [30-489](#) [30-541](#) [A-USB A-2P-C](#) [MIKROE-1451](#) [USBFTVSCCG](#) [1-1734084-2](#) [10135326-001LF](#) [4198](#) [USB-A-D-VT](#)
[USB-A-S-RA-TSMT](#) [1310-1023-02](#) [690-024-633-031](#) [UB-20PMFP-LC7001](#) [17-200011](#) [UB-20AFMM-LL7A01](#) [1040870124](#) [CAP-](#)
[WCCMLPB1](#) [CAP-WCCMLPC1](#) [2274475-3](#) [UB-20BMFA-SL8001](#) [914-614A2025S10200](#) [USB3FTV7SAGF059](#) [ZX40-B-5S-1500-](#)
[STDA\(30\)](#) [GSB3116344HR](#) [USB3FTV2SAZNF459](#) [USB3FTV7SAZNF459](#) [U221-041N-1WVS62-F5D](#) [HYCW153-USBD05-500B](#)
[HYCW219-USBD05-075B](#) [HYCW148-USBD05-117B](#) [HYCW149-USBD05-740B](#) [HYCW204-USBD05-108B](#) [HYCW214-USBA04-113B](#)
[HYCW213-USBA04-113B](#) [UB-20AMFM-SL7A01](#) [KMMX-BSMT35S-1-B30TR](#) [2345986-1](#)