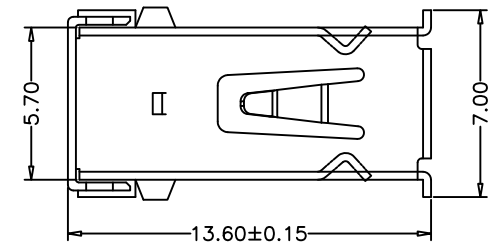
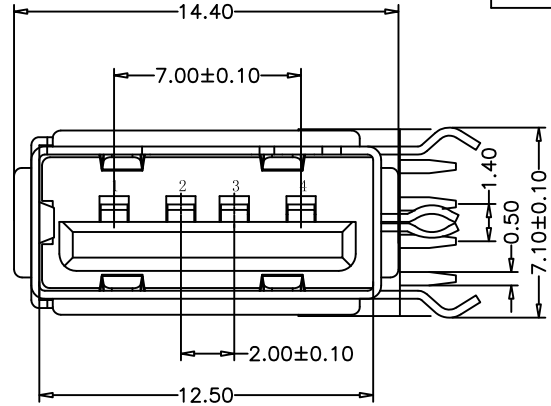
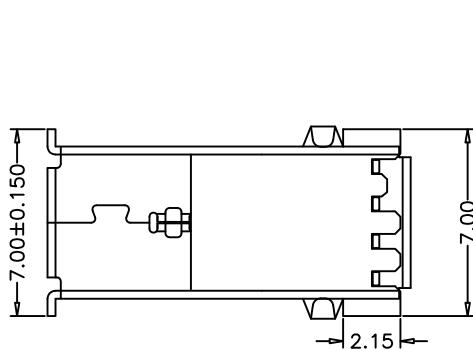
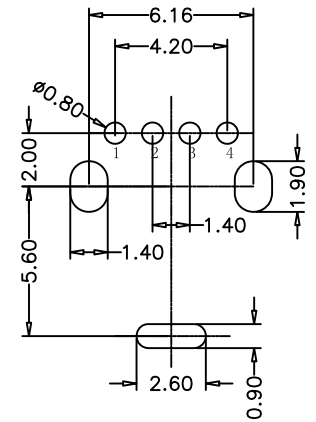
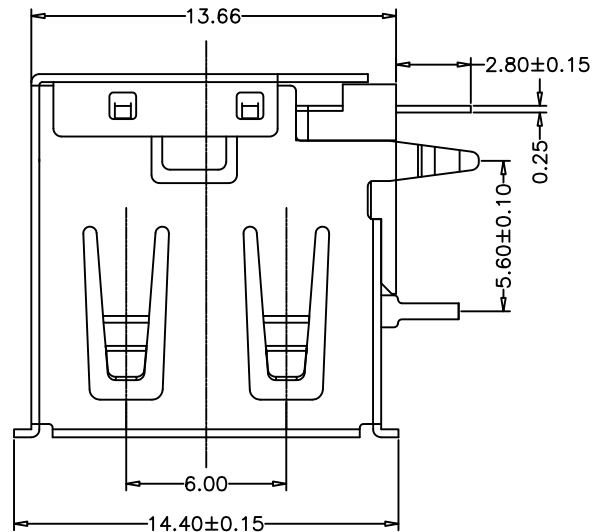


REV	MODIFICATION	DATE
A0	胶芯变更	2013.12.20



NOTE:

1. Material:
  - Housing: Thermoplastics (ROHS, HF)
  - Contact: Phosphor Bronze C5191-EH/C2680-EH, T=0.25mm
  - Shell: COPPER ALLOY T=0.30mm
2. FINISH:
  - Contact: 15u" Gold Plated on Contact Area,
  - 80u" Min. Tin Plated on Solder Area
  - 50u" Min. Nickel Underplating Over All.
  - Shell: 50u" Min. Nickel Underplating Over All.
3. Specification:
  - 3.1: Rating:
    - Rated voltage 500V AC/DC. Rated current: 2 A Max.
  - 3.2: Electrical:
    - Insulation Resistance (EIA-364-21): 1000MΩ Min. at 500V/DC for 1Minute.
    - Contact Resistance (EIA-364-23): 30 mΩ Max. at 20mV Max, 50mA
    - Dielectric Withstanding Voltage (EIA-364-20): No discharge, flashover or breakdown at 500V/AC 1Minute
4. Plug extraction force shall be between 1.0kgf and 2.00kgf
5. Contact finish:
  - 01: Selective Gold Flash
  - 02: Selective Gold 1U"
  - 03: Selective Gold 3U"
  - 04: Selective Gold 5U"
  - 05: Selective Gold 15U"
  - 06: Selective Gold 30U"



RECOMMENDED PCB LAYOUT  
GENERAL TOLERANCES: ±0.05

<b>产品图</b> PRODUCT CHART DWG		<b>深圳市精拓金电子有限公司</b>							
公差一览表 TOLERANCE UNLESS OTHERWISE		单位	MM	制图	Z-Y-B	制图料号	906-452A1012D10200		
X	±0.25	X	±5.°	UNITS		PRODUCT PART NO.			
.X	±0.20	.X	±2.°	比例	1:1	产品名称	AF13.65侧插短体外弯内O型脚		
.XX	±0.15	.XX	±1.°	SCALE		PRODUCT NO.	有边铜壳PBT白胶		
.XXX	±0.10	.XXX	±0.5°	日期	2013.12.20	角法	版本	A0	
				DATE		VIEW	REV		

## X-ON Electronics

Largest Supplier of Electrical and Electronic Components

*Click to view similar products for [USB Connectors](#) category:*

*Click to view products by [Jing](#) manufacturer:*

Other Similar products are found below :

[950](#) [MUSBD11135](#) [17-200721](#) [217450-1](#) [KMBVX-TH-5S-B30](#) [KUSBX-AS2N-W](#) [KUSBX-SMT2AP1S-W30](#) [935](#) [957](#) [30-498-6](#) [SK-60A-2](#)  
[1734082-1](#) [30-470](#) [30-489](#) [30-541](#) [A-USB A-2P-C](#) [MIKROE-1451](#) [USBFTVSCCG](#) [1-1734084-2](#) [10135326-001LF](#) [4198](#) [USB-A-D-VT](#)  
[USB-A-S-RA-TSMT](#) [1310-1023-02](#) [690-024-633-031](#) [UB-20PMFP-LC7001](#) [17-200011](#) [UB-20AFMM-LL7A01](#) [1040870124](#) [CAP-](#)  
[WCCMLPB1](#) [CAP-WCCMLPC1](#) [2274475-3](#) [UB-20BMFA-SL8001](#) [914-614A2025S10200](#) [USB3FTV7SAGF059](#) [ZX40-B-5S-1500-](#)  
[STDA\(30\)](#) [GSB3116344HR](#) [USB3FTV2SAZNF459](#) [USB3FTV7SAZNF459](#) [U221-041N-1WVS62-F5D](#) [HYCW153-USBD05-500B](#)  
[HYCW219-USBD05-075B](#) [HYCW148-USBD05-117B](#) [HYCW149-USBD05-740B](#) [HYCW204-USBD05-108B](#) [HYCW214-USBA04-113B](#)  
[HYCW213-USBA04-113B](#) [UB-20AMFM-SL7A01](#) [KMMX-BSMT35S-1-B30TR](#) [2345986-1](#)