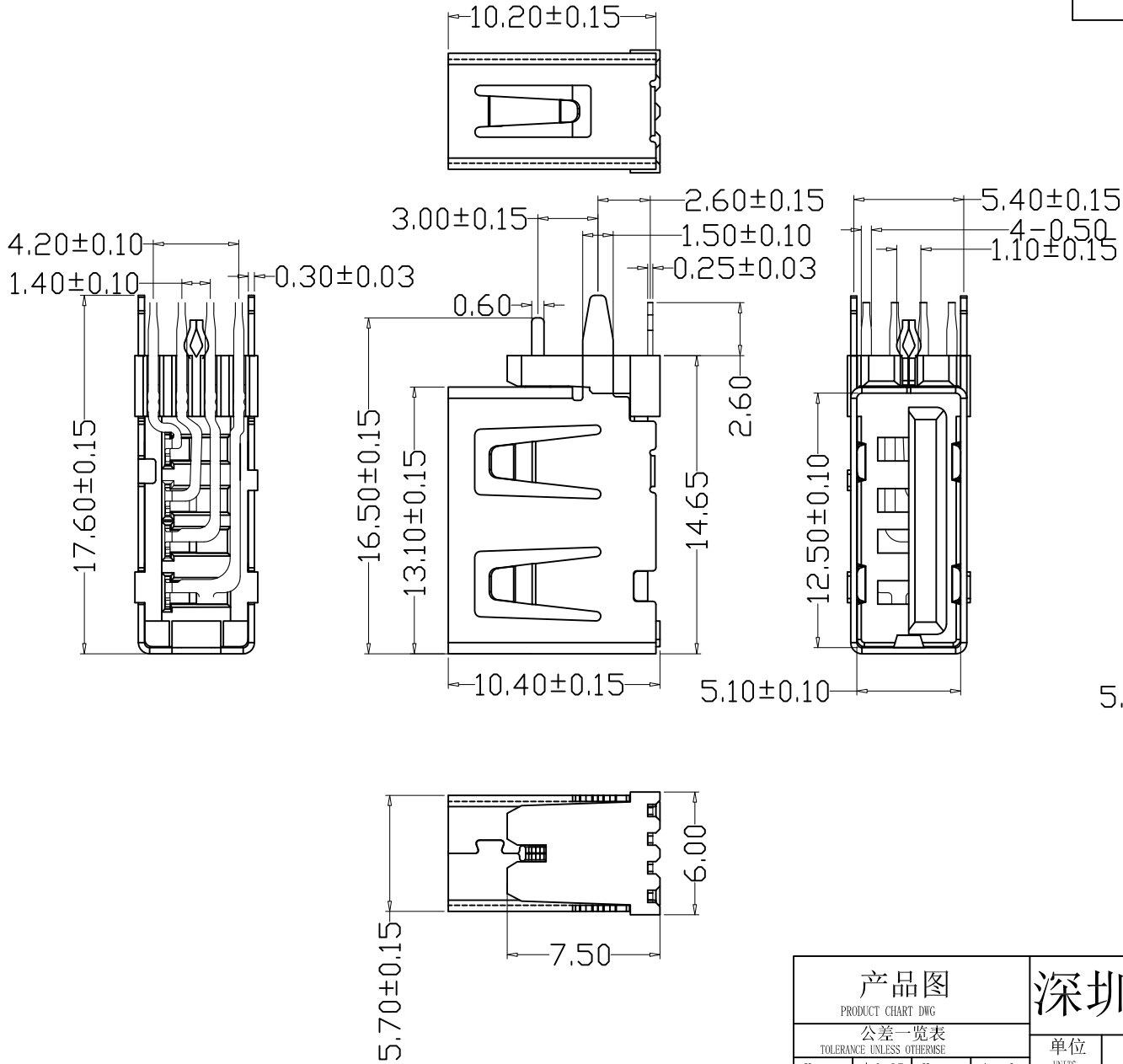
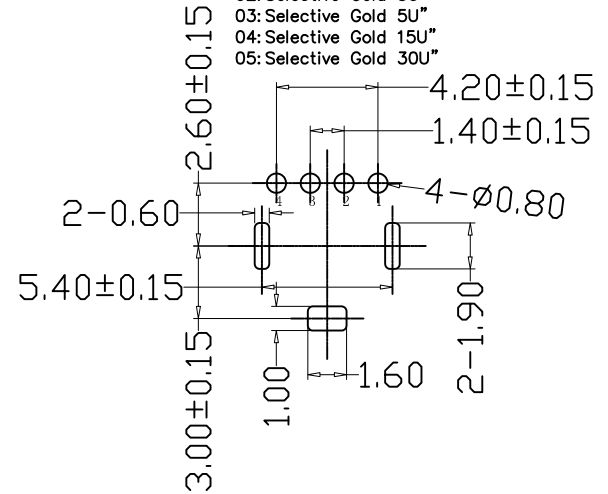


MAPX	MODIFICATION	DATE



NOTE:

- Material:
 - Housing: Thermoplastics
 - Contact: Phosphor Bronze C5191-EH/C2680-EH, T=0.25mm
 - Shell: COPPER ALLOY T=0.30mm
- FINISH:
 - Contact: 15u" Gold Plated on Contact Area, 80u" Min.Tin Plated on Solder Area, 50u" Min.Nickel Underplating Over All.
 - Shell: 50u" Min.Nickel Underplating Over All.
- Specification:
 - 3.1: Rating:
 - Rated voltage 500V AC/DC. Rated current: 2 A Max.
 - 3.2: Electrical:
 - Insulation Resistance(EIA-364-21): 1000M Ω Min. at 500V/DC for 1Minute.
 - Contact Resistance(EIA-364-23): 30 m Ω Max. at 20mV Max, 50mA
 - Dielectric Withstanding Voltage(EIA-364-20): No discharge, flashover or breakdown at 500V/AC 1Minute
- Plug extraction force shall be between 1.0kgf and 2.00kgf
- Contact finish:
 - 01: Selective Gold Flash
 - 02: Selective Gold 3U"
 - 03: Selective Gold 5U"
 - 04: Selective Gold 15U"
 - 05: Selective Gold 30U"



RECOMMENDED PCB LAYOUT
GENERAL TOLERANCES: ± 0.05

<p>产品图 PRODUCT CHART DWG</p> <p>公差一览表 TOLERANCE UNLESS OTHERWISE</p> <table border="1"> <tr> <td>X.</td> <td>± 0.25</td> <td>X.</td> <td>$\pm 5.^\circ$</td> </tr> <tr> <td>.X</td> <td>± 0.20</td> <td>.X</td> <td>$\pm 2.^\circ$</td> </tr> <tr> <td>.XX</td> <td>± 0.15</td> <td>.XX</td> <td>$\pm 1.^\circ$</td> </tr> <tr> <td>.XXX</td> <td>± 0.10</td> <td>.XXX</td> <td>$\pm 0.5^\circ$</td> </tr> </table>				X.	± 0.25	X.	$\pm 5.^\circ$.X	± 0.20	.X	$\pm 2.^\circ$.XX	± 0.15	.XX	$\pm 1.^\circ$.XXX	± 0.10	.XXX	$\pm 0.5^\circ$	<p>深圳市精拓金电子有限公司</p>							
X.	± 0.25	X.	$\pm 5.^\circ$																								
.X	± 0.20	.X	$\pm 2.^\circ$																								
.XX	± 0.15	.XX	$\pm 1.^\circ$																								
.XXX	± 0.10	.XXX	$\pm 0.5^\circ$																								
单位 UNITS	MM	制图 DRAWING	Z-Y-B	制图料号 PRODUCT PART NO.	906-562A1058D10200																						
比例 SCALE	1:1	审核 CHKD		产品名称 PRODUCT NO.	AF10.0侧插短体外直内O型脚加长1.0无边铜壳加厚1.5PBT蓝胶																						
日期 DATE	2014.02.20	核准 APPD		角法 VIEW		版本 VER	A0																				

X-ON Electronics

Largest Supplier of Electrical and Electronic Components

Click to view similar products for [USB Connectors](#) category:

Click to view products by [Jing](#) manufacturer:

Other Similar products are found below :

[950](#) [MUSBD11135](#) [17-200721](#) [217450-1](#) [KMBVX-TH-5S-B30](#) [KUSBX-AS2N-W](#) [KUSBX-SMT2AP1S-W30](#) [935](#) [957](#) [30-498-6](#) [SK-60A-2](#)
[1734082-1](#) [30-470](#) [30-489](#) [30-541](#) [A-USB A-2P-C](#) [MIKROE-1451](#) [USBFTVSCCG](#) [1-1734084-2](#) [10135326-001LF](#) [4198](#) [USB-A-D-VT](#)
[USB-A-S-RA-TSMT](#) [1310-1023-02](#) [690-024-633-031](#) [UB-20PMFP-LC7001](#) [17-200011](#) [UB-20AFMM-LL7A01](#) [1040870124](#) [CAP-](#)
[WCCMLPB1](#) [CAP-WCCMLPC1](#) [2274475-3](#) [UB-20BMFA-SL8001](#) [914-614A2025S10200](#) [USB3FTV7SAGF059](#) [ZX40-B-5S-1500-](#)
[STDA\(30\)](#) [GSB3116344HR](#) [USB3FTV2SAZNF459](#) [USB3FTV7SAZNF459](#) [U221-041N-1WVS62-F5D](#) [HYCW153-USBD05-500B](#)
[HYCW219-USBD05-075B](#) [HYCW148-USBD05-117B](#) [HYCW149-USBD05-740B](#) [HYCW204-USBD05-108B](#) [HYCW214-USBA04-113B](#)
[HYCW213-USBA04-113B](#) [UB-20AMFM-SL7A01](#) [KMMX-BSMT35S-1-B30TR](#) [2345986-1](#)