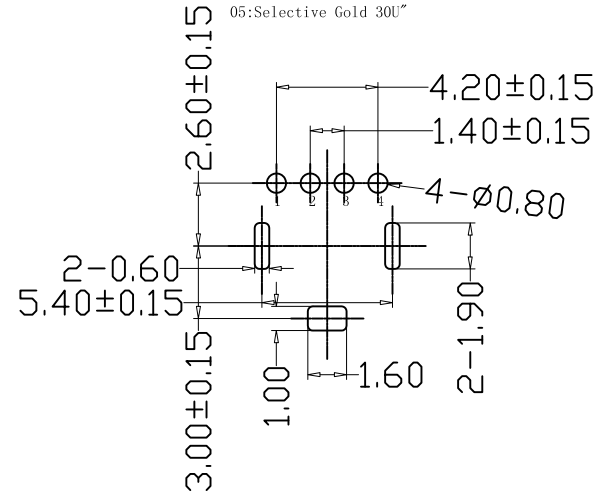
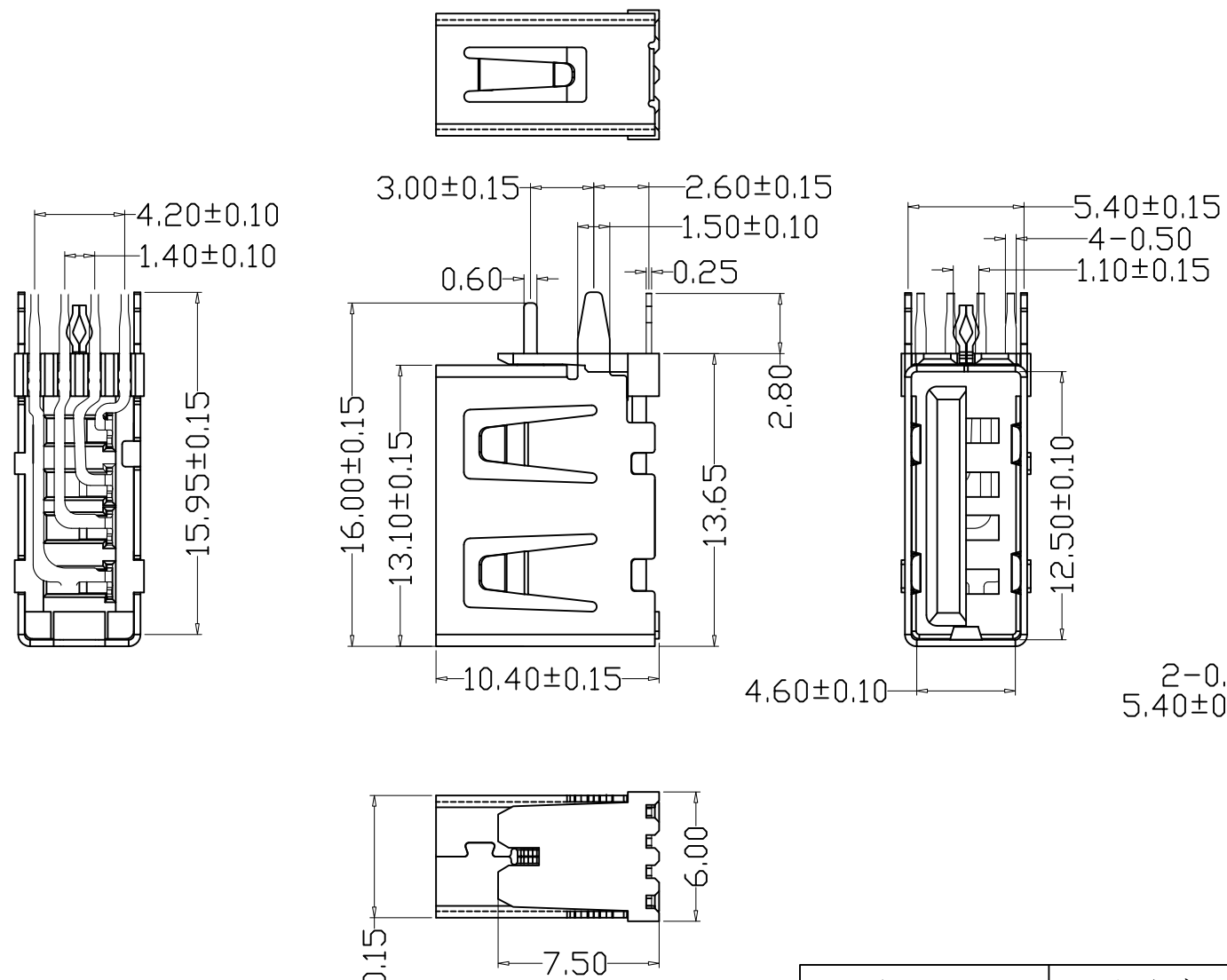


MAPX	MODIFICATION	DATE

NOTE:

- Material:
  - Housing: Thermoplastics, UL94V-0 (ROHS, HF)
  - Contact: Phosphor Bronze C5191-EH/C2680-EH, T=0.25mm
  - Shell: COPPER ALLOY T=0.30mm
- FINISH:
  - Contact: 15u" Gold Plated on Contact Area, 80u" Min. Tin Plated on Solder Area, 50u" Min. Nickel Underplating Over All.
  - Shell: 50u" Min. Nickel Underplating Over All.
- Specification:
  - Rating:
    - Rated voltage 500V AC/DC. Rated current: 2 A Max.
  - Electrical:
    - Insulation Resistance(EIA-364-21): 1000MΩ Min. at 500V/DC for 1Minute.
    - Contact Resistance(EIA-364-23): 30 mΩ Max. at 20mV Max, 50mA
    - Dielectric Withstanding Voltage(EIA-364-20): No discharge, flashover or breakdown at 500V/AC 1Minute
  - Plug extraction force shall be between 1.0kgf and 2.00kgf
  - Contact finish:
    - 01: Selective Gold Flash
    - 02: Selective Gold 3U"
    - 03: Selective Gold 5U"
    - 04: Selective Gold 15U"
    - 05: Selective Gold 30U"



产品图 PRODUCT CHART DWG		深圳市精拓金电子有限公司					
公差一览表 TOLERANCE UNLESS OTHERWISE		单位 UNITS	MM	制图 DRAWING	Z-Y-B	制图料号 PRODUCT PART NO.	906-562B1014D10200
X.	±0.25	X.	±5.°	比例 SCALE	1:1	产品名称 PRODUCT NO.	AF10.0侧插短体外直内0型脚无边 铜壳反向PBT白胶
.X	±0.20	.X	±2.°	日期 DATE	2014.07.20	角法 VIEW	⊕ □
.XX	±0.15	.XX	±1.°	核准 APPD		版本 VER	AO
.XXX	±0.10	.XXX	±0.5°				

## X-ON Electronics

Largest Supplier of Electrical and Electronic Components

*Click to view similar products for [USB Connectors](#) category:*

*Click to view products by [Jing](#) manufacturer:*

Other Similar products are found below :

[950](#) [A-USB A-LP-SMT-C](#) [A-USB B-TOP-C](#) [MUSBD11135](#) [17-200721](#) [217450-1](#) [KMBVX-TH-5S-B30](#) [KUSBX-AS2N-W](#) [KUSBX-SMT2AP1S-W30](#) [935](#) [957](#) [30-498-6](#) [SK-60A-2](#) [1734082-1](#) [30-470](#) [30-489](#) [30-541](#) [MAB 5 S](#) [A-USB A-2P-C](#) [MIKROE-1451](#)  
[USBFTVSCCG](#) [1-1734084-2](#) [MUSBA81130](#) [NK-27-32SL](#) [NK-L8-22C-5/8](#) [10135326-001LF](#) [4198](#) [690-024-633-031](#) [UB-20PMFP-LC7001](#)  
[17-200011](#) [UB-20AFMM-LL7A01](#) [CAP-WCCMLPB1](#) [CAP-WCCMLPC1](#) [2274475-3](#) [914-614A2025S10200](#) [USB3FTV7SAGF059](#)  
[USB3FTV2SAZNF459](#) [USB3FTV7SAZNF459](#) [HYCW153-USBD05-500B](#) [HYCW219-USBD05-075B](#) [HYCW148-USBD05-117B](#)  
[HYCW149-USBD05-740B](#) [HYCW204-USBD05-108B](#) [HYCW214-USBA04-113B](#) [HYCW213-USBA04-113B](#) [KMMX-BSMT35S-1-B30TR](#)  
[2345986-1](#) [10082141-N340LF](#) [10117836-011LF](#) [GSB3C3133DSYHR](#)