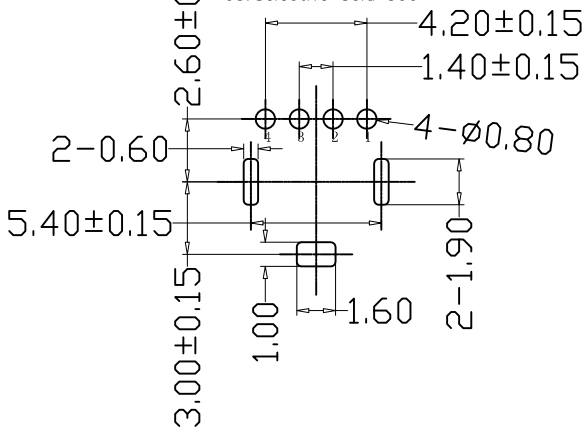
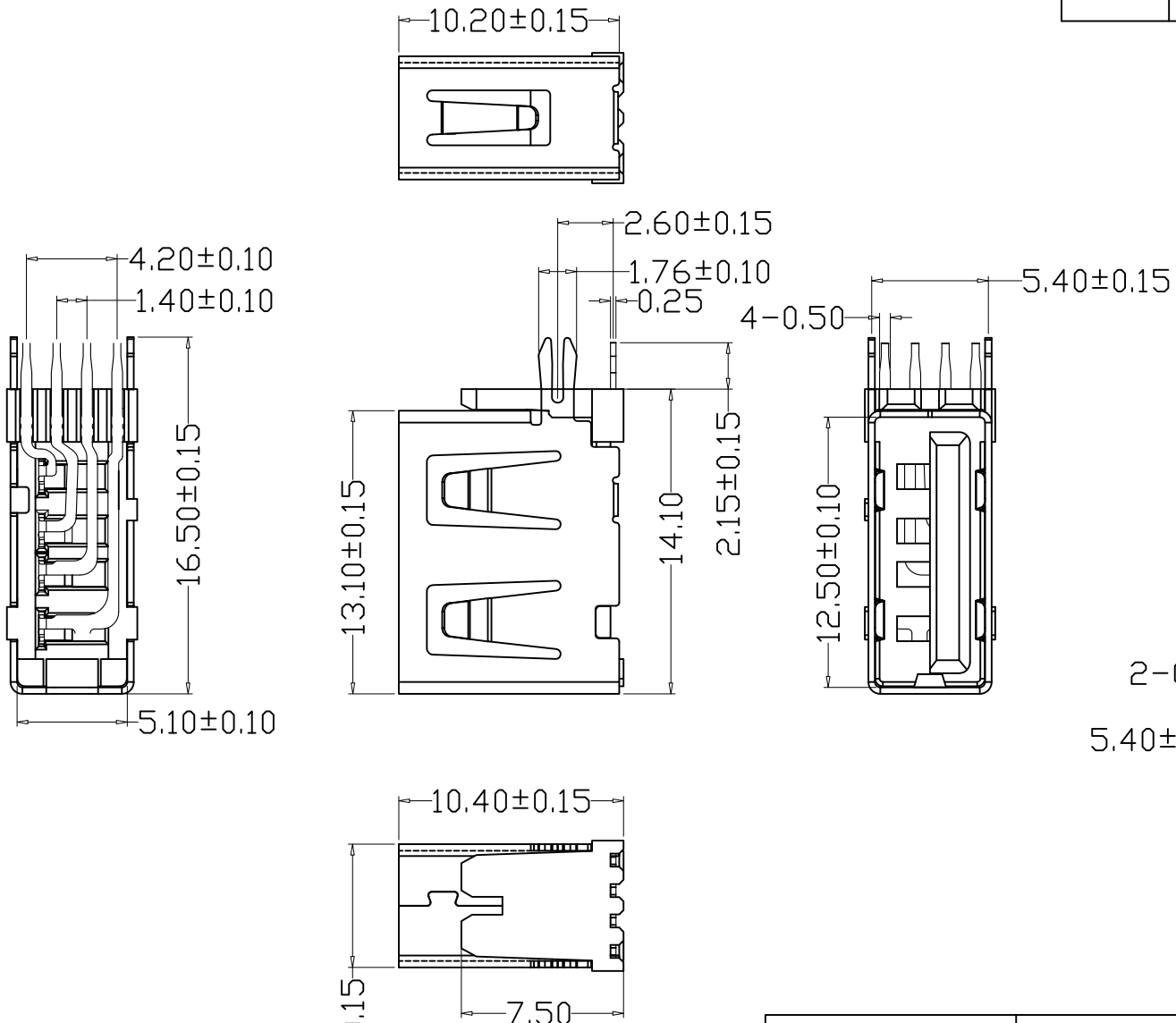


MAPX	MODIFICATION	DATE

NOTE:
 1. Material:
 Housing: Thermoplastics
 Contact: Phosphor Bronze C5191-EH/C2680-EH, T=0.25mm
 Shell: COPPER ALLOY T=0.30mm
 2. FINISH:
 Contact: 15u" Gold Plated on Contact Area,
 80u" Min.Tin Plated on Solder Area
 50u" Min.Nickel Underplating Over All.
 Shell: 50u" Min.Nickel Underplating Over All.
 3. Specification:
 3.1: Rating:
 Rated voltage 500V AC/DC. Rated current: 2 A Max.
 3.2: Electrical:
 Insulation Resistance(EIA-364-21):
 1000M Ω Min. at 500V/DC for 1Minute.
Contact Resistance(EIA-364-23):
 30 m Ω Max. at 20mV Max, 50mA
 Dielectric Withstanding Voltage(EIA-364-20):
 No discharge, flashover or breakdown at 500V/AC
 1Minute
 4. Plug extraction force shall be between 1.0kgf and 2.00kgf
 5. Contact finish:
 01: Selective Gold Flash
 02: Selective Gold 3U"
 03: Selective Gold 5U"
 04: Selective Gold 15U"
 05: Selective Gold 30U"



RECOMMENDED PCB LAYOUT
 GENERAL TOLERANCES: ± 0.05

产品图 PRODUCT CHART DWG				深圳市精拓金电子有限公司							
公差一览表 TOLERANCE UNLESS OTHERWISE				单位 UNITS	MM	制图 DRAWING	Z-Y-B	制图料号 PRODUCT PART NO.	906-861A2116D10210		
X.	± 0.25	X.	$\pm 5^\circ$	比例 SCALE	1:1	审核 CHKD		产品名称 PRODUCT NO.	AF10.0侧插短体外鱼叉内无脚无边 铁壳加厚PBT橙胶		
.X	± 0.20	.X	$\pm 2^\circ$	日期 DATE	2014.02.20	核准 APPD		角法 VIEW		版本 VER	A0
.XX	± 0.15	.XX	$\pm 1^\circ$								
.XXX	± 0.10	.XXX	$\pm 0.5^\circ$								

X-ON Electronics

Largest Supplier of Electrical and Electronic Components

Click to view similar products for [USB Connectors](#) category:

Click to view products by [Jing](#) manufacturer:

Other Similar products are found below :

[950](#) [A-USB A-LP-SMT-C](#) [A-USB B-TOP-C](#) [MUSBD11135](#) [17-200721](#) [217450-1](#) [KMBVX-TH-5S-B30](#) [KUSBX-AS2N-W](#) [KUSBX-SMT2AP1S-W30](#) [935](#) [957](#) [30-498-6](#) [SK-60A-2](#) [1734082-1](#) [30-470](#) [30-489](#) [30-541](#) [MAB 5 S](#) [A-USB A-2P-C](#) [MIKROE-1451](#)
[USBFTVSCCG](#) [1-1734084-2](#) [MUSBA81130](#) [NK-27-32SL](#) [NK-L8-22C-5/8](#) [10135326-001LF](#) [4198](#) [690-024-633-031](#) [UB-20PMFP-LC7001](#)
[17-200011](#) [UB-20AFMM-LL7A01](#) [CAP-WCCMLPB1](#) [CAP-WCCMLPC1](#) [2274475-3](#) [914-614A2025S10200](#) [USB3FTV7SAGF059](#)
[USB3FTV2SAZNF459](#) [USB3FTV7SAZNF459](#) [HYCW153-USBD05-500B](#) [HYCW219-USBD05-075B](#) [HYCW148-USBD05-117B](#)
[HYCW149-USBD05-740B](#) [HYCW204-USBD05-108B](#) [HYCW214-USBA04-113B](#) [HYCW213-USBA04-113B](#) [KMMX-BSMT35S-1-B30TR](#)
[2345986-1](#) [10082141-N340LF](#) [10117836-011LF](#) [GSB3C3133DSYHR](#)