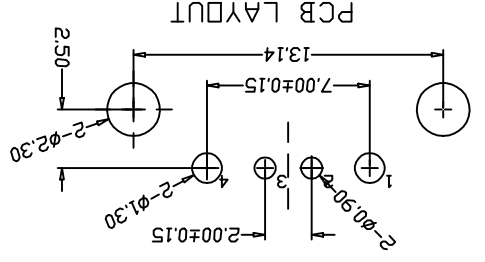
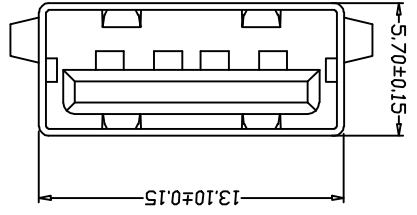
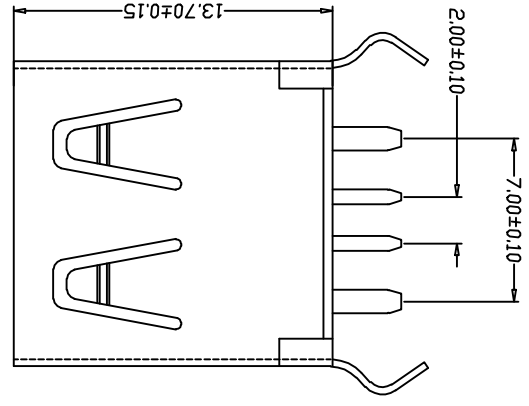
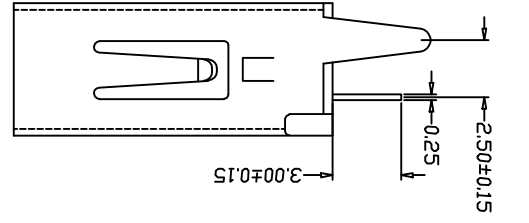
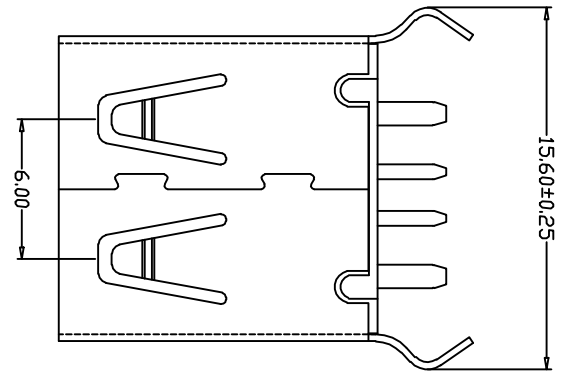


**产品图**  
PRODUCT CHART DWG

TOLERANCE UNLESS OTHERWISE SPECIFIED	X, ±5.°	X, ±0.25	X, ±2.°	X, ±1.°	.XXX ±0.10	.XXX ±0.5.°
UNIT	MM	MM	MM	MM	MM	MM
比例	1:1	1:1	1:1	1:1	1:1	1:1
SCALE	1:1	1:1	1:1	1:1	1:1	1:1
日期	2014.07.24	2014.07.24	2014.07.24	2014.07.24	2014.07.24	2014.07.24
DATE	2014.07.24	2014.07.24	2014.07.24	2014.07.24	2014.07.24	2014.07.24
批准	APPD	APPD	APPD	APPD	APPD	APPD
核准	CHKD	CHKD	CHKD	CHKD	CHKD	CHKD
制图	DRAWING	DRAWING	DRAWING	DRAWING	DRAWING	DRAWING
制图	Z-Y-B	Z-Y-B	Z-Y-B	Z-Y-B	Z-Y-B	Z-Y-B
制图料号	PRODUCT PART NO	PRODUCT PART NO	PRODUCT PART NO	PRODUCT PART NO	PRODUCT PART NO	PRODUCT PART NO
产品名称	PRODUCT NAME	PRODUCT NAME	PRODUCT NAME	PRODUCT NAME	PRODUCT NAME	PRODUCT NAME
USB A/R 180度插板式无边 (13.7)	USB A/R 180度插板式无边 (13.7)	USB A/R 180度插板式无边 (13.7)	USB A/R 180度插板式无边 (13.7)	USB A/R 180度插板式无边 (13.7)	USB A/R 180度插板式无边 (13.7)	USB A/R 180度插板式无边 (13.7)
版本	VER	VER	VER	VER	VER	VER
AD	AD	AD	AD	AD	AD	AD

**深圳市精拓金电子有限公司**



4. Contact finish:  
 01: Selective Gold Flash  
 02: Selective Gold 3U  
 03: Selective Gold 5U  
 04: Selective Gold 15U  
 05: Selective Gold 30U

3. ENVIRONMENTAL:  
 OPERATING TEMPERATURE: -55°C+85°C  
 5000 CYCLES EXTRACTION FORCE: 3~35N  
 5000 CYCLES MIN
2. MECHANICAL CHARACTERISTIC:  
 INSERTION FORCE: 35N(3.57KGF) MAX  
 EXTRACTION FORCE: 10~35N(1.02~3.57KGF) MIN  
 DURABILITY: 1500 CYCLES EXTRACTION FORCE: 10~35N  
 5000 CYCLES MIN
1. ELECTRICAL CHARACTERISTIC:  
 Current rating: 5.0A Max  
 CONTACT RESISTANCE: 30MΩ MAX  
 DIELECTRIC WITHSTANDING VOLTAGE: 500V AC FOR 1MIN  
 INSULATION RESISTANCE: 1000MΩ MIN
- NOTES:  
 1. HOUSING: ORANGE, UL94V-0.  
 TERMINAL: SEE NOTES.  
 SHELL: SEE NOTES.  
 SPECIFICATION:

MAPX	MODIFICATION	DATE
------	--------------	------

## X-ON Electronics

Largest Supplier of Electrical and Electronic Components

*Click to view similar products for [USB Connectors](#) category:*

*Click to view products by [Jing](#) manufacturer:*

Other Similar products are found below :

[10033527-N3112MLF](#) [17-210561](#) [GMCB05B11124H1EU](#) [17-200931](#) [65-647-8-BK-BU](#) [690-010-295-484](#) [73725-1191BLF](#) [950](#) [E8144-B01021-L](#) [A-USB A-LP-SMT-C](#) [A-USB B-TOP-C](#) [MUSBA511N5](#) [MUSBB15131](#) [MUSBC111M5](#) [MUSBD11135](#) [217450-1](#) [CA 6 W LD](#) [896-30-004-00-000000](#) [KUSBVX-BS1N-W30](#) [KUSBX-AP-KIT-SCBLK](#) [KUSBX-AS2N-W](#) [KUSBX-SMT2AP1S-W](#) [KUSBX-SMTAS1NBTR](#) [KUSBX-SMTBS1NBTR](#) [30-498-6](#) [SK-60A-2](#) [17-200261](#) [17-210051](#) [1734082-1](#) [FK-37-32SL](#) [30-1574](#) [30-470](#) [30-489](#) [30-541](#) [30-572-3](#) [30-9503](#) [M9177/2-1](#) [MAB 5 S](#) [MIKROE-1451](#) [33UBBR-04SW11R](#) [USBFTV2PEM2G](#) [USBFTVC6ZN](#) [USBFTVSCCG](#) [KUSBX-AS2N-W30](#) [KUSBX-SLAS1N-W](#) [KUSBX-SLAS1N-W30](#) [1-1734084-2](#) [E8110-001-01](#) [MUSBC11135](#) [NK-27-32SL](#)