

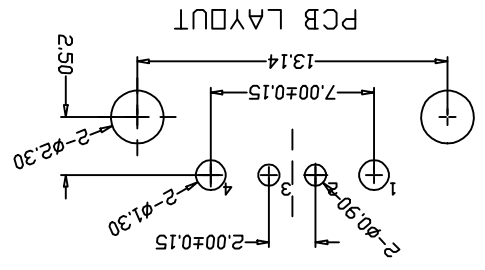
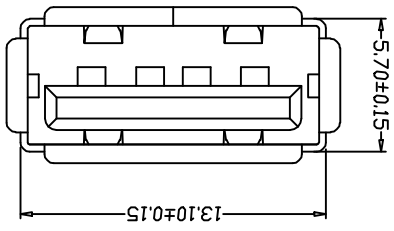
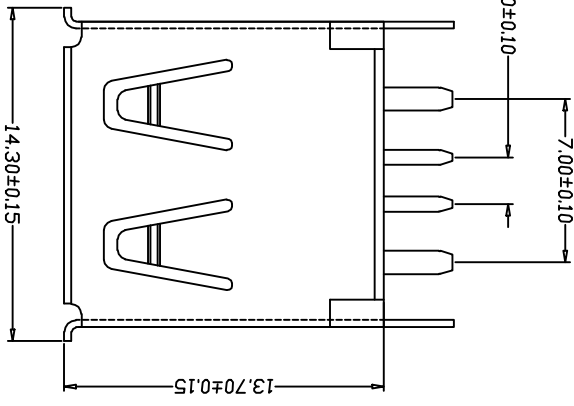
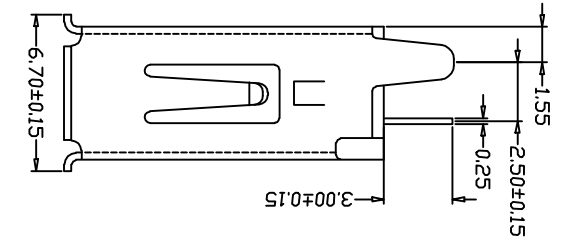
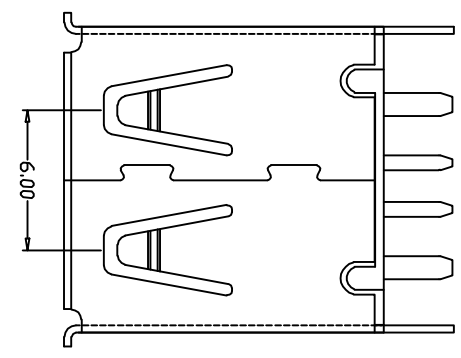
产品图  
PRODUCT CHART DWG

深圳市精拓金电子有限公司

XXX	±0.10	XXX	±0.5°
XX	±0.15	XX	±1°
X	±0.20	X	±2°
X	±0.25	X	±5°

TOLERANCE UNLESS OTHERWISE SPECIFIED

单位	MM	比例	1:1	日期	2014.07.24	核准	APPD	图法	VIEW	版本	AD
制图	Z-Y-B	审核	1:1	日期	2014.07.24	核准	APPD	图法	VIEW	版本	AD
制料号		产品名		图法		图法		图法			
制料号		产品名		图法		图法		图法			



- 05: Selective Gold 30U
- 04: Selective Gold 15U
- 03: Selective Gold 5U
- 02: Selective Gold 3U
- 01: Selective Gold Flash

4. Contact finish:  
OPERATING TEMPERATURE: -55°C+85°C

3. ENVIRONMENTAL:  
5000 CYCLES EXTRACTION FORCE: 3~35N

2. MECHANICAL CHARACTERISTIC:  
INSERTION FORCE: 35N(3.57KGF) MAX  
EXTRACTION FORCE: 10~35N(1.02~3.57KGF) MIN  
DURABILITY: 1500 CYCLES EXTRACTION FORCE: 10~35N  
5000 CYCLES MIN

1. ELECTRICAL CHARACTERISTIC:  
SPECIFICATION:  
SHELL: SEE NOTES.  
TERMINAL: SEE NOTES.  
CURRENT RATING: 5.0A Max  
CONTACT RESISTANCE: 30MΩ MAX  
DIELECTRIC WITHSTANDING VOLTAGE: 500V AC FOR 1MIN  
INSULATION RESISTANCE: 1000MΩ MIN

NOTES:  
1. HOUSING: WHITE, UL94V-0.  
TERMINAL: SEE NOTES.  
SHELL: SEE NOTES.  
SPECIFICATION:  
1. ELECTRICAL CHARACTERISTIC:  
CURRENT RATING: 5.0A Max  
CONTACT RESISTANCE: 30MΩ MAX  
DIELECTRIC WITHSTANDING VOLTAGE: 500V AC FOR 1MIN  
INSULATION RESISTANCE: 1000MΩ MIN  
INSERTION FORCE: 35N(3.57KGF) MAX  
EXTRACTION FORCE: 10~35N(1.02~3.57KGF) MIN  
DURABILITY: 1500 CYCLES EXTRACTION FORCE: 10~35N  
5000 CYCLES MIN

MAPX	MODIFICATION	DATE
------	--------------	------

## X-ON Electronics

Largest Supplier of Electrical and Electronic Components

*Click to view similar products for [USB Connectors](#) category:*

*Click to view products by [Jing](#) manufacturer:*

Other Similar products are found below :

[10033527-N3112MLF](#) [17-210561](#) [GMCB05B11124H1EU](#) [17-200931](#) [65-647-8-BK-BU](#) [690-010-295-484](#) [73725-1191BLF](#) [950](#) [E8144-B01021-L](#) [A-USB A-LP-SMT-C](#) [A-USB B-TOP-C](#) [MUSBA511N5](#) [MUSBB15131](#) [MUSBC111M5](#) [MUSBD11135](#) [217450-1](#) [CA 6 W LD](#) [896-30-004-00-000000](#) [KUSBVX-BS1N-W30](#) [KUSBX-AP-KIT-SCBLK](#) [KUSBX-AS2N-W](#) [KUSBX-SMT2AP1S-W](#) [KUSBX-SMTAS1NBTR](#) [KUSBX-SMTBS1NBTR](#) [30-498-6](#) [SK-60A-2](#) [17-200261](#) [17-210051](#) [1734082-1](#) [FK-37-32SL](#) [30-1574](#) [30-470](#) [30-489](#) [30-541](#) [30-572-3](#) [30-9503](#) [M9177/2-1](#) [MAB 5 S](#) [MIKROE-1451](#) [33UBBR-04SW11R](#) [USBFTV2PEM2G](#) [USBFTVC6ZN](#) [USBFTVSCCG](#) [KUSBX-AS2N-W30](#) [KUSBX-SLAS1N-W](#) [KUSBX-SLAS1N-W30](#) [1-1734084-2](#) [E8110-001-01](#) [MUSBC11135](#) [NK-27-32SL](#)