

# Parts Drawing

| REVISIONS |         |              |      |        |
|-----------|---------|--------------|------|--------|
| SYM       | ECN No. | MODIFICATION | DATE | ISSUED |
|           |         |              |      |        |

Note:

1. Material:

- 1.1, Housing: High temperature thermoplastic with/black G/F, UL94v-0
- 1.2, Contact: copper alloy, t=0.25mm
- 1.3, Shell: copper/Ferroalloy alloy, t=0.30mm

2. Specification:

- 2.1, Current rating: 3A/5A Max.
- 2.2, Dielectric withstanding voltage: 100 V(ac) for 1 min.
- 2.3, Contact resistance: 30 mΩ Max.
- 2.4, Insulation resistance: 100 MΩ Min.
- 2.5, Total mating force: 3.57 Kg Max.
- 2.6, Total unmating force: 1.0 Kg Min.

3. Finish:

- 3.1, Contact: Plated Gold in Mating Area; Tin On Solder Talls
- Shell: Nickel Plating

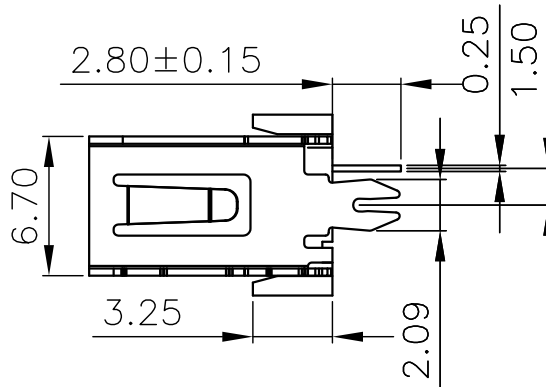
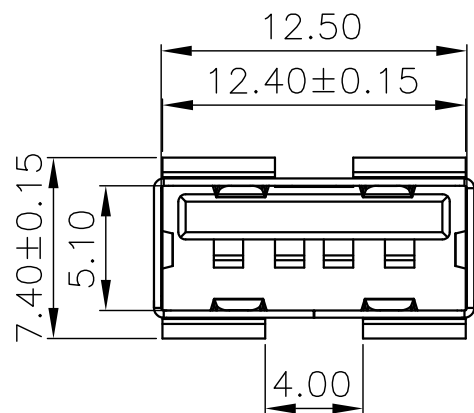
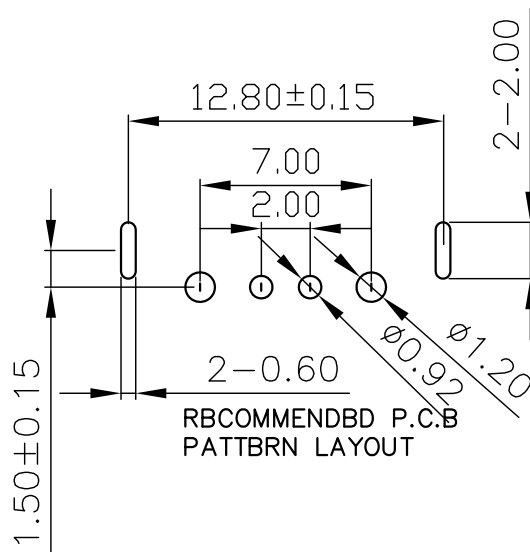
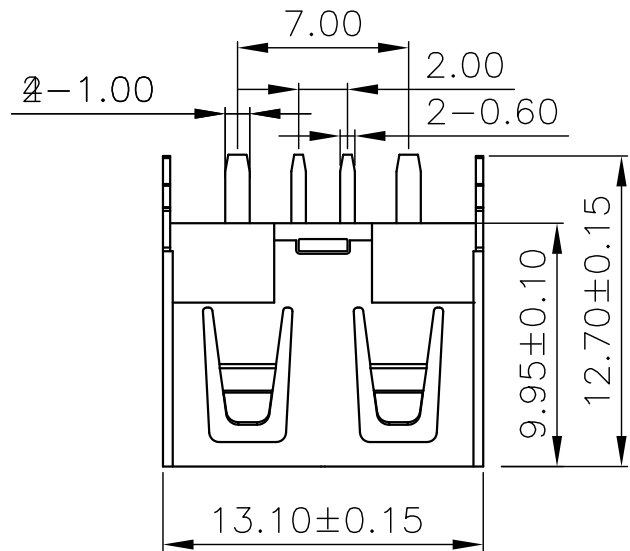
4. Environmental:

- 4.1, Temperature range: -55°C~85°C

PART ON:

919-56XAXXX1Y2XX

- 电镀规格: 02, 镀金1u" 04, 镀金3u" 07, 镀金15u" 08, 镀金30u"
- 端子材质: 1, 青铜 2, 磷铜
- 端子规格: D, 90度 Y, 180度 S, SMT贴板
- 塑胶形态: 1, 6.2有耳 6, 6.2无耳
- 塑胶颜色: 01, 白色 02, 黑色 03, 本色
- 塑胶材质: 1, PBT 2, LCP 3, PA9T 4, PPA 5, PA6T
- 对插方向: A, 正向 B, 反向
- 外壳材质: 1, 铁壳 2, 铜壳
- 插口类型: 5, 有边 6, 无边
- 外壳脚型: 1, 前两脚 2, 后两脚 3, 四脚 4, 无脚 5, 鱼叉脚
- 类别: E款



|   |                    |   |  |
|---|--------------------|---|--|
| 1 | 916-362A1094Y10210 | 5 |  |
| 2 |                    | 6 |  |
| 3 |                    | 7 |  |
| 4 |                    | 8 |  |

|          |      |                                   |                    |        |      |      |
|----------|------|-----------------------------------|--------------------|--------|------|------|
| DRAWN    |      | <b>jt</b> 深圳市精拓金电子有限公司            |                    |        |      |      |
| CHECKED  |      | TITLE                             | PART NO.           |        |      |      |
| APPROVED |      | AF大电流10.0短体180度<br>鱼叉脚无边铜壳PBT绿色   | 916-362A1094Y10210 |        |      |      |
|          |      |                                   | DRAWING NO.        |        |      |      |
|          |      |                                   | R919561A1011Y102   |        |      |      |
|          | UNIT | TOLERANCE                         | SCALE              | SHEET  | SIZE | REV. |
|          | mm   | .XXX±.10, .XX±.25, .X±.38, ANG±5° | 1:1                | 1 OF 1 | A4   | X1   |

## X-ON Electronics

Largest Supplier of Electrical and Electronic Components

*Click to view similar products for [USB Connectors](#) category:*

*Click to view products by [Jing](#) manufacturer:*

Other Similar products are found below :

[950](#) [A-USB A-LP-SMT-C](#) [A-USB B-TOP-C](#) [MUSBD11135](#) [17-200721](#) [217450-1](#) [KMBVX-TH-5S-B30](#) [KUSBX-AS2N-W](#) [KUSBX-SMT2AP1S-W30](#) [935](#) [957](#) [30-498-6](#) [SK-60A-2](#) [1734082-1](#) [30-470](#) [30-489](#) [30-541](#) [MAB 5 S](#) [A-USB A-2P-C](#) [MIKROE-1451](#)  
[USBFTVSCCG](#) [1-1734084-2](#) [MUSBA81130](#) [NK-27-32SL](#) [NK-L8-22C-5/8](#) [10135326-001LF](#) [4198](#) [690-024-633-031](#) [UB-20PMFP-LC7001](#)  
[17-200011](#) [UB-20AFMM-LL7A01](#) [CAP-WCCMLPB1](#) [CAP-WCCMLPC1](#) [2274475-3](#) [914-614A2025S10200](#) [USB3FTV7SAGF059](#)  
[USB3FTV2SAZNF459](#) [USB3FTV7SAZNF459](#) [HYCW153-USBD05-500B](#) [HYCW148-USBD05-117B](#) [HYCW149-USBD05-740B](#)  
[HYCW214-USBA04-113B](#) [HYCW213-USBA04-113B](#) [KMMX-BSMT35S-1-B30TR](#) [2345986-1](#) [10082141-N340LF](#) [10117836-011LF](#)  
[GSB3C3133DSYHR](#) [GT-USB-2014-CWG1](#) [GT-USB-7010ANS](#)