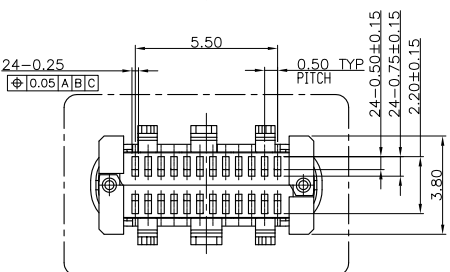
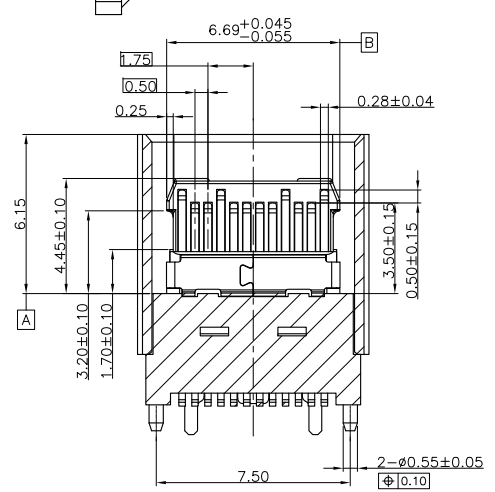
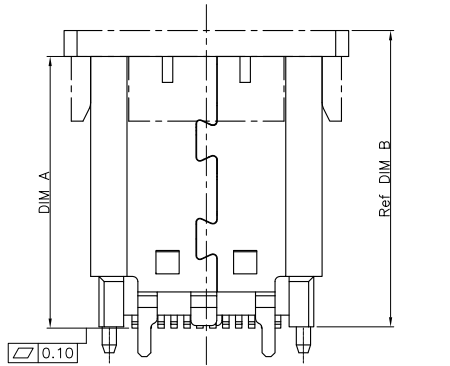
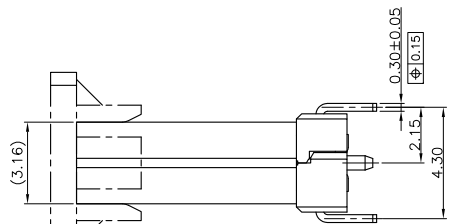
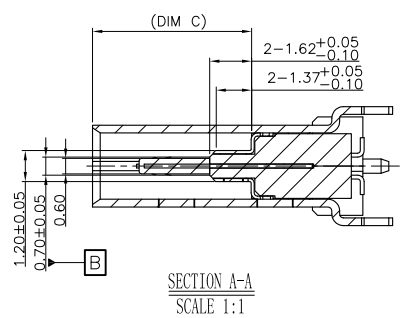
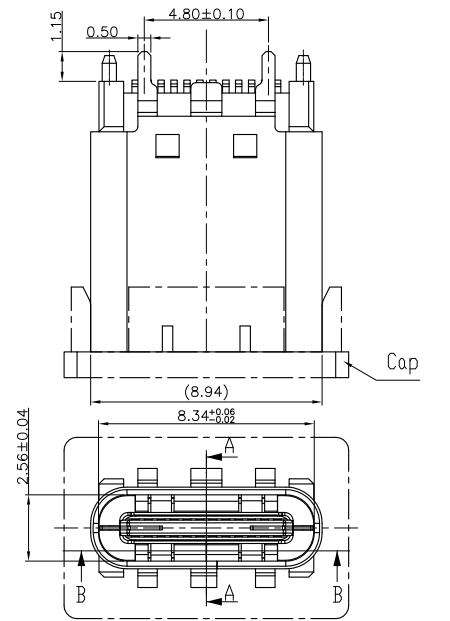


RoHS

| | | | |
|------|--------------|-----|------|
| MAPX | MODIFICATION | DRW | DATE |
| | | | |
| | | | |

A
B
C
D
E
F
G

A
B
C
D
E
F
G



NOTES:

MOLDING: LCP UL94 V-0
 CONTACT: COPPER ALLOY.
 GOLD PLATING ALL OVER 50u" Min NICKEL
 AND 100u" Min Tin ALL OVER 50u" Min NICKEL
 ON SOLDER AREA
 SHELL: SUS304-H,T=0.30±0.03mm
 50u" NICKEL PLATING OVER ALL.
 SHILD: SUS304-H,T=0.12±0.03mm

INSERTION: 5~20N.
 EXTRACTION: 8~20N AFTER TEST .
 DURABILITY: 10000 CYCLES

3.ELECTRICAL:
 CURRENT: 5A FOR VBUS;
 1.25A FOR GND PIN.
 0.25A FOR OTHER.

VOLTAGE: 20 V MAX
 WITHSTANDING VOLTAGE: 100V AC R.M.S
 CONTACT RESISTANCE: 40mΩ MAX.
 INSULATION RESISTANCE: 100MΩ MIN.

4.ENVIRONMENTAL
 TEMPERATURE RANGE -55°C ~ +85°C

| P/N: | DIM A | DIM B | DIM C |
|----------------|-------|-------|-------|
| FUCR-244X-04XX | 10.50 | 11.5 | 6.15 |
| FUCR-244X-14XX | 9.30 | 10.3 | 4.95 |
| FUCR-244X-24XX | 8.80 | 9.80 | 4.45 |

| | | | | | | | | | | |
|--|-------|---|-------|-------|------------|------|-----|------|---------------------------|----|
| <p>产品图 PRODUCT CHART DWG</p> <p>公差一览表 TOLERANCE UNLESS OTHERWISE</p> | | <p>深圳市精拓金电子有限公司 Shenzhen Jing Tuo Jin Electronics Co., Ltd.</p> | | | | | | | | |
| X. | ±0.35 | X. | ±5.° | 单位 | MM | 制图 | 尹先华 | 制图料号 | 918-418K2022E40004 | |
| .X | ±0.25 | .X | ±2.° | 比例 | 1:1 | 审核 | 郭治富 | 产品名称 | TYPE-C3.1母座无边夹板间距0.8长度8.8 | |
| .XX | ±0.20 | .XX | ±1.° | SCALE | | 核准 | 黄国荣 | 角法 | LCP黑胶 24PIN | |
| .XXX | ±0.10 | .XXX | ±0.5° | 日期 | 2021-04-15 | 核淮 | | 角法 | 版本 | A0 |
| | | | | DATE | | APPD | | VIEW | VER | |

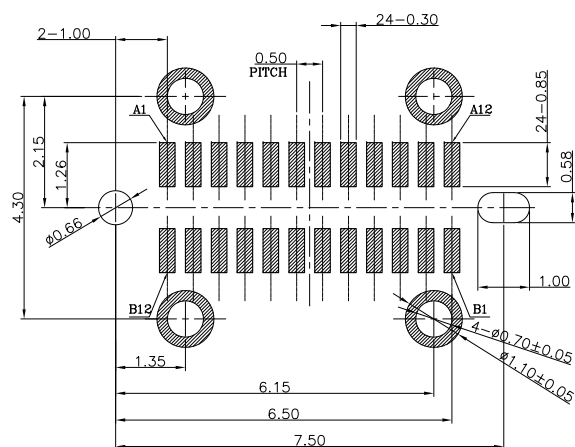
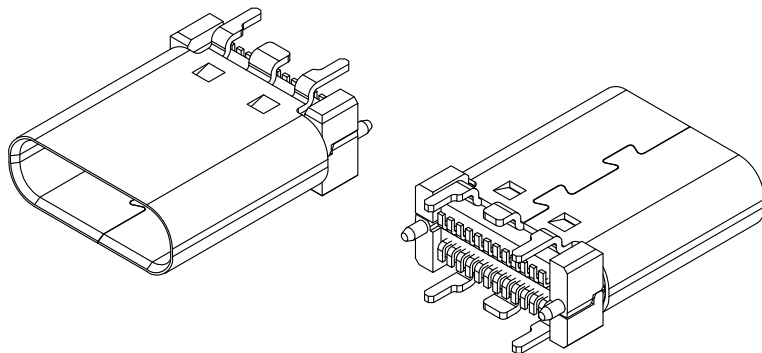
RoHS

MAPX

MODIFICATION

DRW

DATE



RECOMMENDED P.C.B. LAYOUT (T:1.00mm)
TOLERANCE UNSPECIFIED ±0.05mm
SCALE: 2:1

USB TYPE-C FULL-FEATURED RECEPTACLE INTERFACE PIN ASSIGNMENTS

| PIN | Signal Name | Description | PIN | Signal Name | Description |
|-----|-------------|---|-----|-------------|---|
| A1 | GND | Ground return | B12 | GND | Ground return |
| A2 | SSTXp1 | Positive half of first SuperSpeed TX differential pair | B11 | SSRXp1 | Positive half of first SuperSpeed RX differential pair |
| A3 | SSTXn1 | Negative half of first SuperSpeed TX differential pair | B10 | SSRXn1 | Negative half of first SuperSpeed RX differential pair |
| A4 | VBUS | Bus Power | B9 | VBUS | Bus Power |
| A5 | CC1 | Configuration Channel | B8 | SBU2 | Sideband Use (SBU) |
| A6 | Dp1 | Positive half of the USB 2.0 differential pair-Position 1 | B7 | Dn2 | Negative half of the USB 2.0 differential pair-Position 2 |
| A7 | Dn1 | Negative half of the USB 2.0 differential pair-Position 1 | B6 | Dp2 | Positive half of the USB 2.0 differential pair-Position 2 |
| A8 | SBU1 | Sideband Use (SBU) | B5 | CC2 | Configuraation Channel |
| A9 | VBUS | Bus Power | B4 | VBUS | Bus Power |
| A10 | SSRXn2 | Negative half of second SuperSpeed RX differential pair | B3 | SSTXn2 | Negative half of second SuperSpeed TX differential pair |
| A11 | SSRXp2 | Positive half of second SuperSpeed RX differential pair | B2 | SSTXp2 | Positive half of second SuperSpeed TX differential pair |
| A12 | GND | Ground return | B1 | GND | Ground return |

产品图

PRODUCT CHART DWG

公差一览表

| TOLERANCE UNLESS OTHERWISE | | | |
|----------------------------|-------|------|-------|
| X. | ±0.35 | X. | ±5.° |
| .X | ±0.25 | .X | ±2.° |
| .XX | ±0.20 | .XX | ±1.° |
| .XXX | ±0.10 | .XXX | ±0.5° |

深圳市精拓金电子有限公司
Shenzhen Jing Tuo Jin Electronics Co., Ltd.

| | | | | | |
|-------------|------------|---------------|-----|--------------------------|--|
| 单位 UNITS | MM | 制图 DRAWING | 尹先华 | 制图料号 PRODUCT PART NO. | 918-418K2022E40004 |
| 比例 SCALE | 1:1 | 审核 CHKD | 郭治富 | 产品名称 PRODUCT NO. | TYPE-C3.1母座无边夹板间距0.8长度8.8 LCP黑胶 24PIN |
| 日期 DATE | 2021-04-15 | 核准 APPD | 黄国荣 | 角法 VIEW | 版本 VER |

A0

RoHS

MAPX

MODIFICATION

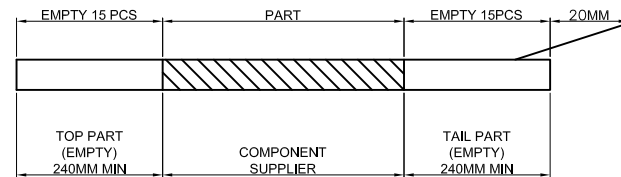
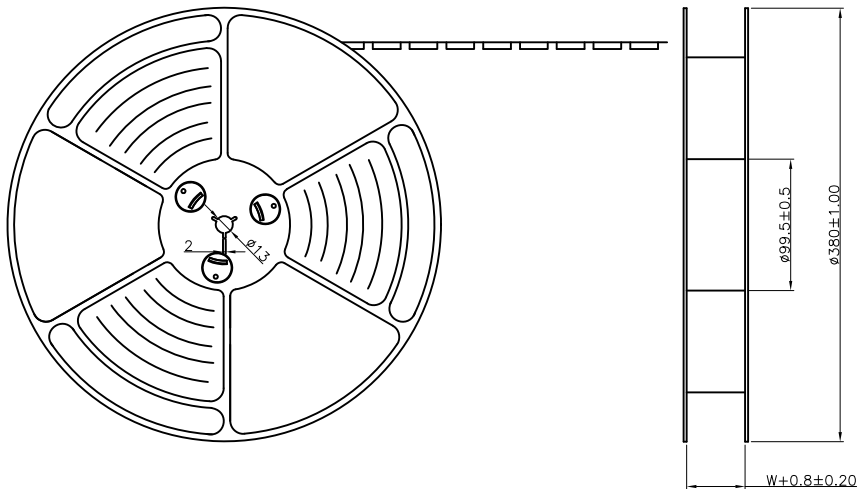
DRW

DATE

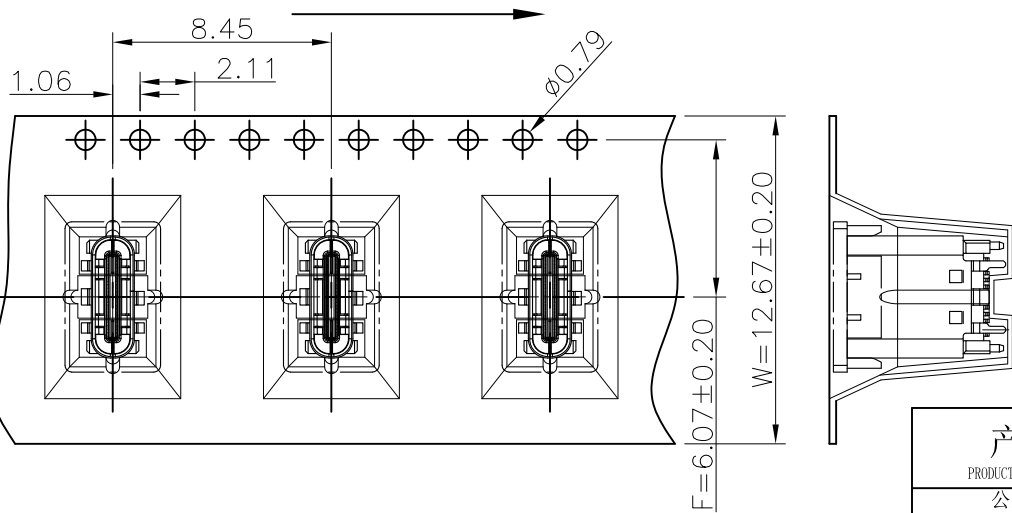
出料方向
PULL OUT DIRECTEON

NOTES

1. 帶子引導長度
LEAD TAPE LENGTH
出料方向
PULL OUT DIRECTEON



2. 出貨運輸過程中一定注意：
THIS REQUIREMENT SHOULD BE APPLIED AT SHIPMENT：
卷帶在運輸過程中不能散開
PEELING OFF SHOULD NOT BE ALLOWED DURING TRANSPORTATION



| | | | | | | | | | | |
|---|-------|------|-------|---|------------|---------|-----|------------------|---------------------------|----|
| <p>产品图 PRODUCT CHART DWG</p> | | | | <p>深圳市精拓金电子有限公司 Shenzhen Jing Tuo Jin Electronics Co., Ltd.</p> | | | | | | |
| <p>公差一览表 TOLERANCE UNLESS OTHERWISE</p> | | | | 单位 | MM | 制图 | 尹先华 | 制图料号 | 918-418K2022E40004 | |
| X. | ±0.35 | X. | ±5.° | UNITS | | DRAWING | | PRODUCT PART NO. | | |
| .X | ±0.25 | .X | ±2.° | 比例 | 1:1 | 审核 | 郭治富 | 产品名称 | TYPE-C3.1母座无边夹板间距0.8长度8.8 | |
| .XX | ±0.20 | .XX | ±1.° | SCALE | | 核准 | 黄国荣 | PRODUCT_NO. | LCP黑胶 24PIN | |
| .XXX | ±0.10 | .XXX | ±0.5° | 日期 | 2021-04-15 | APPD | | 角法 | 版本 | A0 |
| | | | | DATE | | VIEW | | 角法 | VER | |

RoHS

MAPX

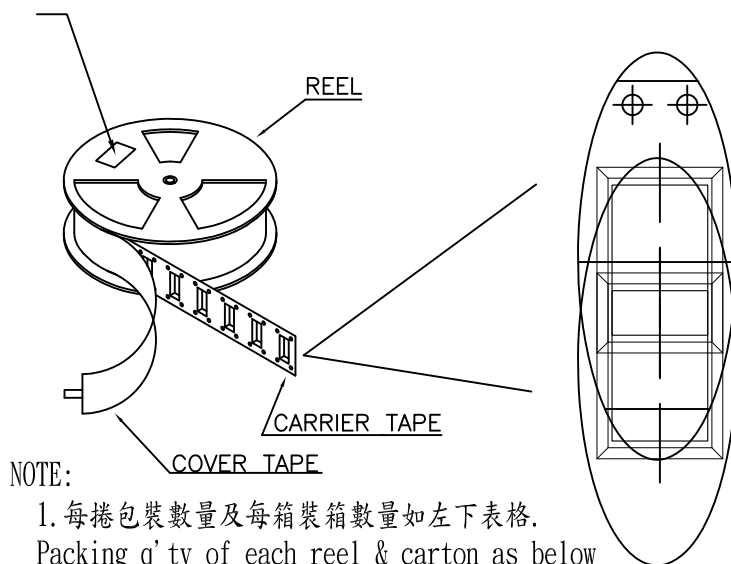
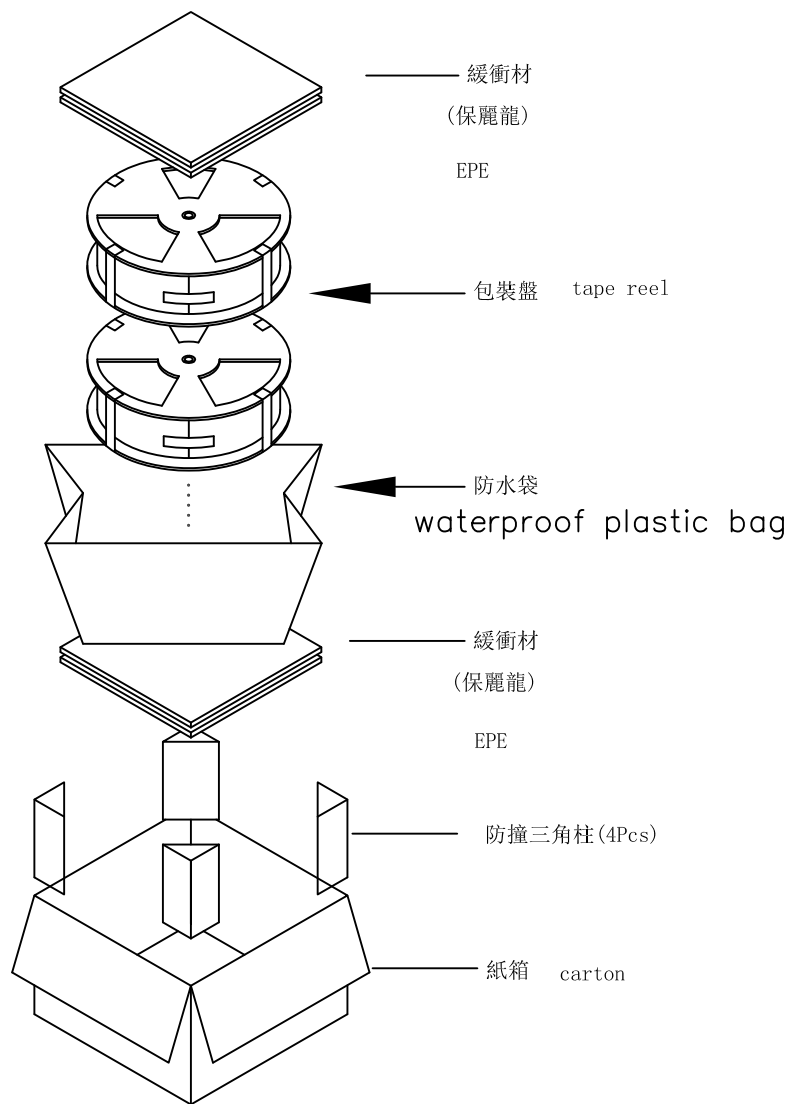
MODIFICATION

DRW

DATE

at small positioning hole of the carrier tape side).
 標籤黏貼處 (朝捲裝包材的小定位孔一側)

Location of label sticking (label



NOTE:

1. 每捲包裝數量及每箱裝箱數量如左下表格。
Packing q'ty of each reel & carton as below table shown.
2. 以上膠帶覆蓋下包裝帶經包裝機熱熔包裝
Use cover tape to cover and hot melt machine to seal up.
3. 每個紙箱放2個珍珠棉
Every carton use 2pcs EPE.
4. 將裝滿產品的卷盤放入紙箱并以膠帶封口
Put reels in the carton and use adhesive tape to seal up.

| 包裝容量 (PACKING CAPACITY) | | | 重量 WEIGHT (Kg) | | |
|-------------------------|--------------|------------|----------------|----------|----------|
| PCS/REEL | REELS/CARTON | PCS/CARTON | N.W./PCS | N.W./BOX | G.W./BOX |
| 450 | 8 | 3600 | | | |

| | | | | | | | | | |
|-------------------------------------|-------|---|-------|-------------|------------|---------------|-----|--------------------------|--|
| 产品图 PRODUCT CHART DWG | | 深圳市精拓金电子有限公司 Shenzhen Jing Tuo Jin Electronics Co., Ltd. | | | | | | | |
| 公差一览表 TOLERANCE UNLESS OTHERWISE | | | | 单位 UNITS | MM | 制图 DRAWING | 尹先华 | 制图料号 PRODUCT PART NO. | 918-418K2022E40004 |
| X. | ±0.35 | X. | ±5.° | 比例 SCALE | 1:1 | 审核 CHKD | 郭治富 | 产品名称 PRODUCT NO. | TYPE-C3.1母座无边夹板间距0.8长度8.8 LCP黑胶 24PIN |
| .X | ±0.25 | .X | ±2.° | 日期 DATE | 2021-04-15 | 核准 APPD | 黄国荣 | 角法 VIEW | 版本 VER |
| .XX | ±0.20 | .XX | ±1.° | | | | | | A0 |
| .XXX | ±0.10 | .XXX | ±0.5° | | | | | | |

X-ON Electronics

Largest Supplier of Electrical and Electronic Components

Click to view similar products for [USB Connectors](#) category:

Click to view products by [Jing](#) manufacturer:

Other Similar products are found below :

[950](#) [MUSBD11135](#) [17-200721](#) [217450-1](#) [KMBVX-TH-5S-B30](#) [KUSBX-AS2N-W](#) [KUSBX-SMT2AP1S-W30](#) [935](#) [957](#) [30-498-6](#) [SK-60A-2](#)
[1734082-1](#) [30-470](#) [30-489](#) [30-541](#) [A-USB A-2P-C](#) [MIKROE-1451](#) [USBFTVSCCG](#) [1-1734084-2](#) [10135326-001LF](#) [4198](#) [USB-A-D-VT](#)
[USB-A-S-RA-TSMT](#) [1310-1023-02](#) [690-024-633-031](#) [UB-20PMFP-LC7001](#) [17-200011](#) [UB-20AFMM-LL7A01](#) [1040870124](#) [CAP-](#)
[WCCMLPB1](#) [CAP-WCCMLPC1](#) [2274475-3](#) [UB-20BMFA-SL8001](#) [914-614A2025S10200](#) [USB3FTV7SAGF059](#) [ZX40-B-5S-1500-](#)
[STDA\(30\)](#) [GSB3116344HR](#) [USB3FTV2SAZNF459](#) [USB3FTV7SAZNF459](#) [U221-041N-1WVS62-F5D](#) [HYCW153-USBD05-500B](#)
[HYCW219-USBD05-075B](#) [HYCW148-USBD05-117B](#) [HYCW149-USBD05-740B](#) [HYCW204-USBD05-108B](#) [HYCW214-USBA04-113B](#)
[HYCW213-USBA04-113B](#) [UB-20AMFM-SL7A01](#) [KMMX-BSMT35S-1-B30TR](#) [2345986-1](#)