

深圳市精拓金电子有限公司

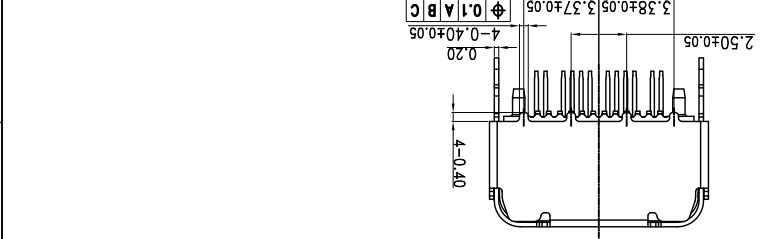
BILL OF MATERIAL			
ITEM	DESCRIPTION	Q'TY	MATERIAL
1	MAIN HOUSING	1	HIGH TEMPERATURE BLACK
2	MID PLATE	1	STAINLESS STEEL
3	BOTTOM TERMINAL	1	COPPER ALLOY
4	TOP TERMINAL	1	COPPER ALLOY
5	INNER-SHELL	1	STAINLESS STEEL
6	OUTER-SHELL	1	STAINLESS STEEL

DATE	2019.11.23	核准	黄国荣	角法	角法
日期	2019.11.23	审核	郭志富	产品名称	USB TYPE C CONNECTOR
SCALE	1:1	制图	YANG	物料号	CH3.40MM(前插后贴)
比例	1:1	绘图		产品图	
UNITS	MM	单位		公差一览表	
UNIT		公差一览表		TOLERANCE UNLESS OTHERWISE	

XXX	±0.10	.XXX	±0.5°
.XX	±0.15	.XX	±1°
X	±0.25	X	±2°
X	±0.30	X	±5°

PRODUCT CHART DWG	产品图
-------------------	-----

FINISH	FINISH
BLACK	BLACK
SOLDER NICKEL: 50U" MIN	SOLDER NICKEL: 50U" MIN
SOLDER TAIL:MATTE TIN 50 MIN, 50U" NICKEL OVERALL	SOLDER TAIL:MATTE TIN 50 MIN, 50U" NICKEL OVERALL
MATING AREA:AU 15U"	MATING AREA:AU 15U"
SOLDER TAIL:MATTE TIN 50 MIN, 50U" NICKEL OVERALL	SOLDER TAIL:MATTE TIN 50 MIN, 50U" NICKEL OVERALL
SOLDER NICKEL: 50U" MIN	SOLDER NICKEL: 50U" MIN
SOLDER NICKEL: 50U" MIN	SOLDER NICKEL: 50U" MIN



MAPX	MODIFICATION	DATE
------	--------------	------

DATE

10

9

8

7

6

5

4

3

2

1

A

B

C

D

E

F

G

10

9

8

7

6

5

4

3

2

1

A

B

C

D

E

F

G

10

9

8

7

6

5

4

3

2

1

A

B

C

D

E

F

G

10

9

8

7

6

5

4

3

2

1

A

B

C

D

E

F

G

10

9

8

7

6

5

4

3

2

1

A

B

C

D

E

F

G

10

9

8

7

6

5

4

3

2

1

A

B

C

D

E

F

G

10

9

8

7

6

5

4

3

2

1

A

B

C

D

E

F

G

10

9

8

7

6

5

4

3

2

1

A

B

C

D

E

F

G

10

9

8

7

6

5

4

3

2

1

A

B

C

D

E

F

G

10

9

8

7

6

5

4

3

2

1

A

B

C

D

E

F

G

10

9

8

7

6

5

4

3

2

1

A

B

C

D

E

F

G

10

9

8

7

6

5

4

3

2

1

A

B

C

D

E

F

G

10

9

8

7

6

5

4

3

2

1

A

B

C

D

E

F

G

10

9

8

7

6

5

4

3

2

1

A

B

C

D

E

F

G

10

9

8

7

6

5

4

3

2

1

A

B

C

D

E

F

G

10

9

8

7

6

5

4

3

2

1

A

B

C

D

E

F

G

10

9

8

7

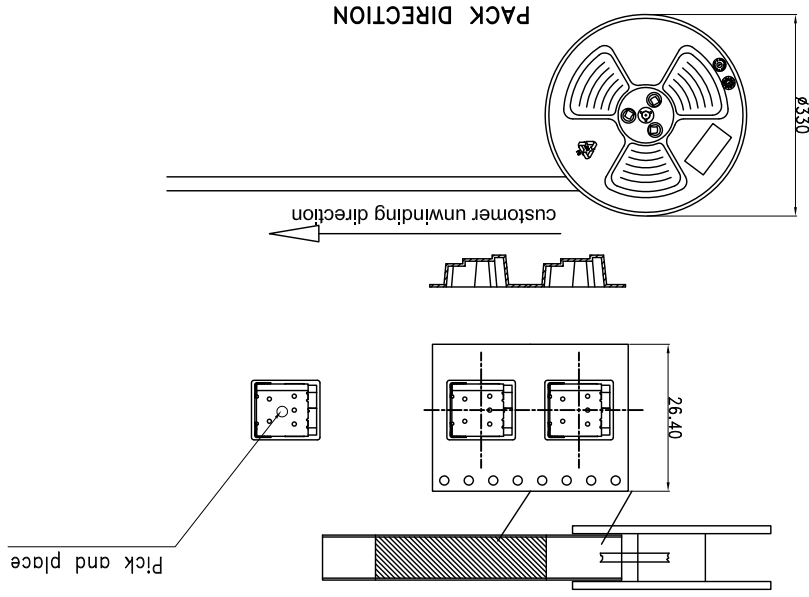
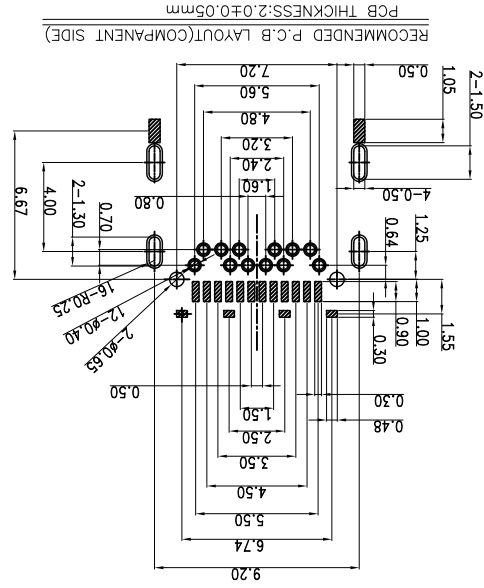
深圳市精拓金电子有限公司

DATE	2019.11.23	日期	2019.11.23
APP	核准	核准	核准
DESIGNER	黄国荣	设计	黄国荣
PRODUCT NAME	郭志富	产品名称	郭志富
PRODUCT NO.	CH3.40MM	产品编号	CH3.40MM
PRODUCT PART NO.	USB TYPE C CONNECTOR	产品零件号	USB TYPE C CONNECTOR
UNIT	MM	单位	MM
DRAWING	制图	制图	制图
SCALE	1:1	比例	1:1
TOLERANCE	±0.5°	公差	±0.5°
SCALE	±1.0	公差	±1.0
SCALE	±2.0	公差	±2.0
SCALE	±5.0	公差	±5.0

PRODUCT CHART DWG	产品图
TOLERANCE UNLESS OTHERWISE	公差一按表

- NOTES:
- 1.MATERIAL :SEE TABLE
 - 2.COPLANARITY : 0.10 Max.
 - 3.ELECTRICAL CHARACTERISTICS
 - LOW LEVEL CONTACT RESISTANCE: 40mΩ Max
 - INSULATION RESISTANCE:100MΩ MIN
 - DIELECTRIC WITHSTANDING VOLTAGE:100 VAC.
 - CONTACT CURRENT RATING:5A Max
 - 4.MECHANICAL CHARACTERISTICS
 - INSERTION FORCE: 5~20N
 - EXTRACTION FORCE: 8~20N
 - AFTER DURABILITY EXTRACTION FORCE: 6~20N
 - 5.DURABILITY: 10000 CYCLES
 - 6.PACKAGING TYPE: CARRIER TAPE.
 - 7.SALT SPRAY : 24 HOURS

Pin	Signal	Mating	Pin	Signal	Mating
A1	GND	First	B12	GND	First
A2	TX1+	Second	B11	RX1+	Second
A3	TX1-	Second	B10	RX1-	Second
A4	VBUS	First	B9	VBUS	First
A5	CC1	Second	B8	SBU2	Second
A6	D+	Second	B7	D-	Second
A7	D-	Second	B6	D+	Second
A8	SBU1	Second	B5	CC2	Second
A9	VBUS	First	B4	VBUS	First
A10	RX2-	Second	B3	TX2-	Second
A11	RX2+	Second	B2	TX2+	Second
A12	GND	First	B1	GND	First



MAPX	MODIFICATION	DATE
------	--------------	------

X-ON Electronics

Largest Supplier of Electrical and Electronic Components

Click to view similar products for [USB Connectors](#) category:

Click to view products by [Jing](#) manufacturer:

Other Similar products are found below :

[10033527-N3112MLF](#) [17-210561](#) [GMCB05B11124H1EU](#) [17-200931](#) [65-647-8-BK-BU](#) [690-010-295-484](#) [73725-1191BLF](#) [950](#) [E8144-B01021-L](#) [A-USB A-LP-SMT-C](#) [A-USB B-TOP-C](#) [MUSBA511N5](#) [MUSBB15131](#) [MUSBC111M5](#) [MUSBD11135](#) [217450-1](#) [CA 6 W LD](#) [896-30-004-00-000000](#) [KUSBVX-BS1N-W30](#) [KUSBX-AP-KIT-SCBLK](#) [KUSBX-AS2N-W](#) [KUSBX-SMT2AP1S-W](#) [KUSBX-SMTAS1NBTR](#) [KUSBX-SMTBS1NBTR](#) [30-498-6](#) [SK-60A-2](#) [17-200261](#) [17-210051](#) [1734082-1](#) [FK-37-32SL](#) [30-1574](#) [30-470](#) [30-489](#) [30-541](#) [30-572-3](#) [30-9503](#) [M9177/2-1](#) [MAB 5 S](#) [MIKROE-1451](#) [33UBBR-04SW11R](#) [USBFTV2PEM2G](#) [USBFTVC6ZN](#) [USBFTVSCCG](#) [KUSBX-AS2N-W30](#) [KUSBX-SLAS1N-W](#) [KUSBX-SLAS1N-W30](#) [1-1734084-2](#) [E8110-001-01](#) [MUSBC11135](#) [NK-27-32SL](#)