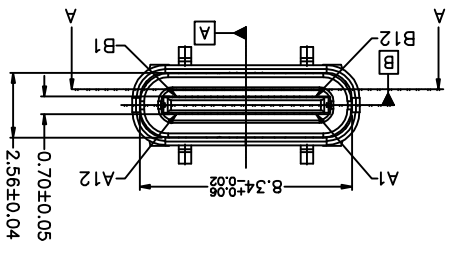
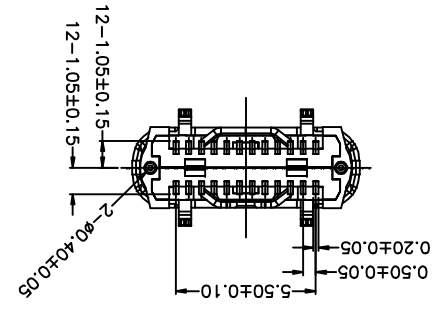
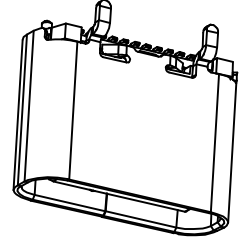
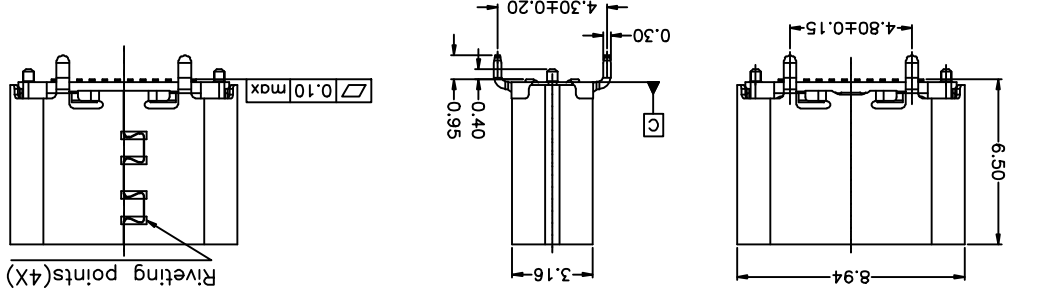
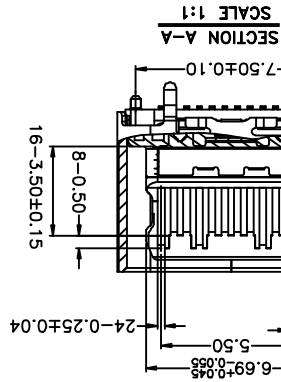


MAPX	MODIFICATION	DATE



产品图		公第一版		TOLERANCE UNLESS OTHERWISE SPECIFIED	
UNIT	MM	SCALE	1:1	DATE	2019.11.23
制图	YANG	审核	黄国荣	APPD	黄国荣
制图号		产品名称	TYPE C 24P 母座立式SMT B-6.5	图法	
PRODUCT PART NO.		PRODUCT NO.		版本	AD

深圳市精拓金电子有限公司

- NOTE:
- MATERIAL SPECIFICATION: 1-1.HOUSING:HIGH TEMPERATURE RESISTANT PLASTIC(LCP), UL94 V-0. COLOR:BLACK.
  - CONTACTS: COPPER ALLOY(C1814)T=0.12mm
  - MID PLATE: STAINLESS STEEL(SUS301)T=0.15mm
  - EMI PLATE: STAINLESS STEEL(SUS301)T=0.10mm
  - SHELL: STAINLESS STEEL(SUS304)T=0.30mm
  - PLATING SPECIFICATION: 2-1.CONTACTS: Ni 50" MIN. UNDER PLATED OVER ALL. Au PLATED ON THE MATING AREA OF CONTACT. (GOLD PLATING THICKNESS FOLLOW THE P/N)
  - 2-SHELL: Ni 30" MIN. UNDER PLATED OVER ALL. Matte Sn PLATED ON THE SOLDER AREA.
  - 3-MID PLATE: CLEAR ONLY
  - 4-EMI PLATE: CLEAR ONLY
  - MECHANICAL PERFORMANCE: 3-1.INSERTION FORCE: 0.5~2.0kgf. 3-2.EXTRACTION FORCE: 0.8kgf~2.0kgf. 3-3.DURABILITY: 10000 CYCLES. 0.6kgf~2.0kgf. AFTER DURABILITY TEST.
  - ELECTRICAL PERFORMANCE: 4-1. CURRENT RATING:5.0A 4-2. LCR: VBUS & GND PINS AND OTHER PINS: 40mΩ/PIN MAX. SHIELD: 50mΩ/MAX. LCR MAX. CHANGE OF ALL PINS: 10mΩ.
  - INSULATION RESISTANCE: 100MΩ MIN.
  - DIELECTRIC WITHSTAND VOLTAGE:AC 100V FOR 1 MINUTE.
  - ENVIRONMENTAL PERFORMANCE: 4-4.DIELECTRIC WITHSTAND VOLTAGE:AC 100V FOR 1 MINUTE. 5. ENVIRONMENTAL PERFORMANCE: OPERATING TEMPERATURE: -25°C~+85°C. 6.IR REFLOW: THE PEAK TEMPERATURE ON THE BOARD SHALL BE MAINTAINED FOR 10 SECONDS AT 260°C.

## X-ON Electronics

Largest Supplier of Electrical and Electronic Components

*Click to view similar products for [USB Connectors](#) category:*

*Click to view products by [Jing](#) manufacturer:*

Other Similar products are found below :

[10033527-N3112MLF](#) [17-210561](#) [GMCB05B11124H1EU](#) [17-200931](#) [65-647-8-BK-BU](#) [690-010-295-484](#) [73725-1191BLF](#) [950](#) [E8144-B01021-L](#) [A-USB A-LP-SMT-C](#) [A-USB B-TOP-C](#) [MUSBA511N5](#) [MUSBB15131](#) [MUSBC111M5](#) [MUSBD11135](#) [217450-1](#) [CA 6 W LD](#) [896-30-004-00-000000](#) [KUSBVX-BS1N-W30](#) [KUSBX-AP-KIT-SCBLK](#) [KUSBX-AS2N-W](#) [KUSBX-SMT2AP1S-W](#) [KUSBX-SMTAS1NBTR](#) [KUSBX-SMTBS1NBTR](#) [30-498-6](#) [SK-60A-2](#) [17-200261](#) [17-210051](#) [1734082-1](#) [FK-37-32SL](#) [30-1574](#) [30-470](#) [30-489](#) [30-541](#) [30-572-3](#) [30-9503](#) [M9177/2-1](#) [MAB 5 S](#) [MIKROE-1451](#) [33UBBR-04SW11R](#) [USBFTV2PEM2G](#) [USBFTVC6ZN](#) [USBFTVSCCG](#) [KUSBX-AS2N-W30](#) [KUSBX-SLAS1N-W](#) [KUSBX-SLAS1N-W30](#) [1-1734084-2](#) [E8110-001-01](#) [MUSBC11135](#) [NK-27-32SL](#)