

RoHS

MAPX

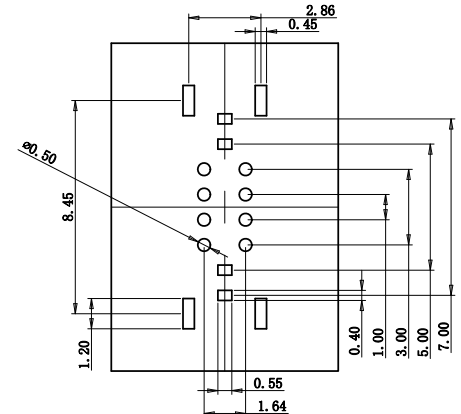
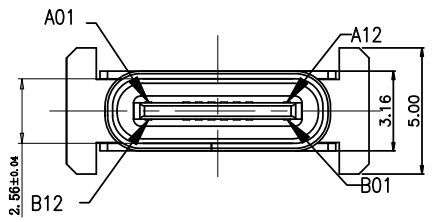
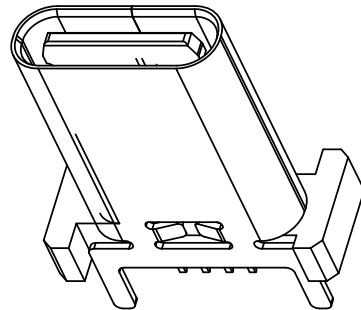
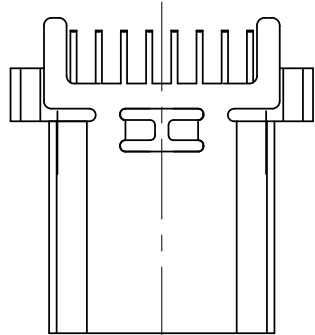
MODIFICATION

DRW

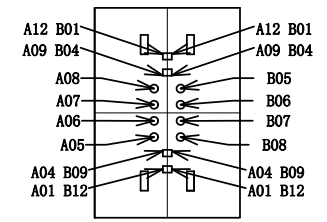
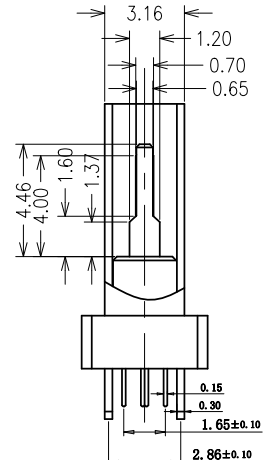
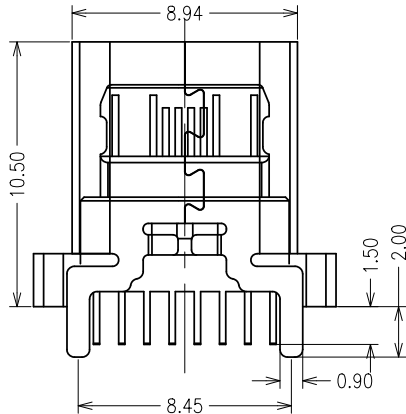
DATE

SPECIFICATIONS:

- 1. ELECTRICAL CHARACTERISTICS:
  - 1-1. CONTACT RESISTANCE: 30m MAX. Ω
  - 1-2. DIELECTRIC WITHSTANDING VOLTAGE: 100V AC FOR ONE MINUTE.
  - 1-3. INSULATION RESISTANCE: 100M MIN. MEASURED BY 500 VDC
- 2. MECHANICAL CHARACTERISTICS:
  - 2-1. INSERTION FORCE :0.5-2.0kgf (REF.)
  - 2-2. WITHDRAWAL FORCE :0.8-2.0kgf (REF.)
- 3. LIFE TEST: 10,000 CYCLES.



RECOMMENDED P.C.B. LAYOUT (T:1.00mm)  
TOLERANCE UNSPECIFIED ±0.05mm



|     |             |     |             |
|-----|-------------|-----|-------------|
| A1  | QND         | B12 | QND         |
| A4  | YNS         | B9  | YNS         |
| A5  | CC1         | B8  | SR02        |
| A6  | DP1         | B7  | DP2         |
| A7  | DR1         | B6  | DP2         |
| A8  | SR1         | B5  | CC2         |
| A9  | YNS         | B4  | YNS         |
| A12 | QND         | B1  | QND         |
| FIN | SIGNAL NAME | FIN | SIGNAL NAME |

|  |       |   |       |       |            |         |       |                  |                       |
|--|-------|---|-------|-------|------------|---------|-------|------------------|-----------------------|
| <p>产品图<br/>PRODUCT CHART DWG</p> <p>公差一览表<br/>TOLERANCE UNLESS OTHERWISE</p> |       | <p>深圳市精拓金电子有限公司<br/>Shenzhen Jing Tuo Jin Electronics Co., Ltd.</p> |       |       |            |         |       |                  |                       |
| X.   | ±0.35 | X.  | ±5°   | 单位    | MM         | 制图      | L-S-S | 制图料号             | 918-648K2027Y30010    |
| .X   | ±0.25 | .X  | ±2°   | UNITS |            | DRAWING |       | PRODUCT PART NO. |                       |
| .XX  | ±0.20 | .XX   | ±1°   | 比例    | 1:1        | 审核      | 郭治富   | 产品名称             | TYPE-C3.1母座10.5立插无弹无柱 |
| .XXX   | ±0.05 | .XXX  | ±0.5° | SCALE |            | CHKD    |       | PRODUCT NO.      | 四脚插板间距8.45LCP黑胶16PIN  |
| 日期   |       | 2021-03-10  |       | 日期    | 2021-03-10 | 核准      | 黄国荣   | 角法               | 版本                    |
| DATE   |       |   |       | APPD  |            | VIEW    |       | VER              | A0                    |

## X-ON Electronics

Largest Supplier of Electrical and Electronic Components

*Click to view similar products for [USB Connectors](#) category:*

*Click to view products by [Jing](#) manufacturer:*

Other Similar products are found below :

[950](#) [A-USB A-LP-SMT-C](#) [A-USB B-TOP-C](#) [MUSBD11135](#) [17-200721](#) [217450-1](#) [KMBVX-TH-5S-B30](#) [KUSBX-AS2N-W](#) [KUSBX-SMT2AP1S-W30](#) [935](#) [957](#) [30-498-6](#) [SK-60A-2](#) [1734082-1](#) [30-470](#) [30-489](#) [30-541](#) [MIKROE-1451](#) [USBFTVSCCG](#) [1-1734084-2](#) [10135326-001LF](#) [4198](#) [USB-A-D-VT](#) [USB-A-S-RA-TSMT](#) [1310-1023-02](#) [690-024-633-031](#) [UB-20PMFP-LC7001](#) [17-200011](#) [UB-20AFMM-LL7A01](#) [1040870124](#) [CAP-WCCMLPB1](#) [2274475-3](#) [UB-20BMFA-SL8001](#) [914-614A2025S10200](#) [ZX40-B-5S-1500-STDA\(30\)](#) [GSB3116344HR](#) [USB3FTV2SAZNF459](#) [U221-041N-1WVS62-F5D](#) [HYCW153-USBD05-500B](#) [HYCW219-USBD05-075B](#) [HYCW148-USBD05-117B](#) [HYCW149-USBD05-740B](#) [HYCW204-USBD05-108B](#) [HYCW214-USBA04-113B](#) [HYCW213-USBA04-113B](#) [UB-20AMFM-SL7A01](#) [KMMX-BSMT35S-1-B30TR](#) [2345986-1](#) [10082141-N340LF](#) [10117836-011LF](#)