

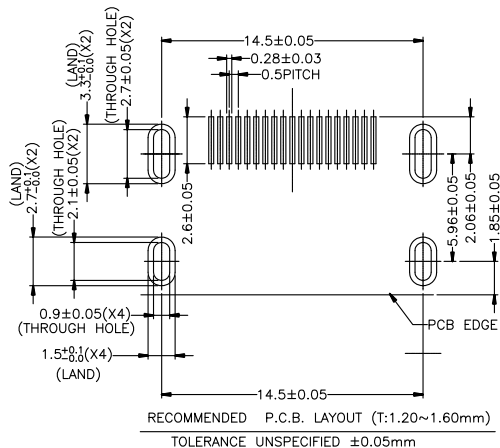
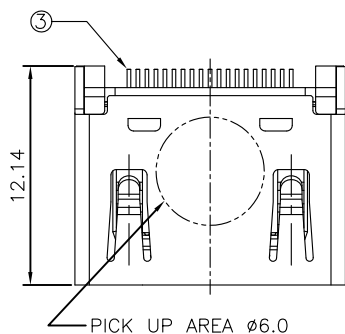
RoHS

MAPX

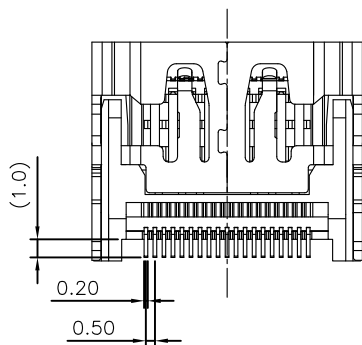
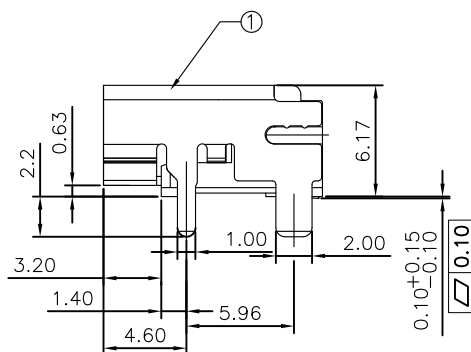
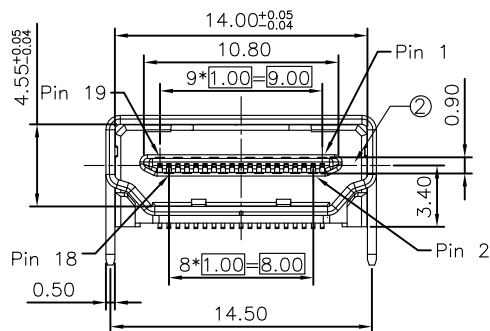
MODIFICATION

DRW

DATE



- PRODUCT APPLICATION:  
7: HIGH DEFINITION (HD) CONNECTOR
- PRODUCT SORT:  
1: FINISHED PRODUCTS
- PRODUCT DETAIL SERIES:  
001: HDMI A TYPE, R/A, SMT
- PIN NUMBER: :  
19: 19Pin
- SHELL PLATED:  
0: NICKEL PLATED;  
2: GOLD PLATED 0.3u";
- PRODUCT STRUCTURE TYPE:  
1: SHELL MATERIAL: COPPER ALLOY, T=0.5mm,  
NO BOTH SIDES SPRINGS
- CONTACTS PLATING:  
1: SELECTIVELY GF PLATING  
2: SELECTIVELY GOLD PLATING 15u";  
7: SELECTIVELY GOLD PLATING 3u";  
8: SELECTIVELY GOLD PLATING 5u";
- SUQUENCE CODE  
1: TAPE REEL PARKAGE, RoHS COMPLIANCE.
- SUQUENCE CODE  
SS: THE FORE SHELL TAILS WIDTH: 1.0mm .  
THE FORE STAND OFF POSITION: 3.20mm.



**SPECIFICATIONS**

- OPERATING CURRENT: 0.5A MAX.
- OPERATION TEMPERATURE: -25°C TO +85°C
- DIELECTRIC WITHSTANDING VOLTAGE:  
500Volts AC BETWEEN ADIACENT TERMINAL (UNMATE)  
300Volts AC BETWEEN ADIACENT TERMINAL (MATE)
- INSULATION RESISTANCE:  
100Mohm MIN. (UNMATED); 10Mohm MIN. (MATED)
- HDMI SPECIFICATION COMPLIANCE

ITEM	NAME	Q'TY	NOTES
3	CONTACTS	19	COPPER ALLOY, GOLD PLATED OVER NICKEL ON CONTACT AREA AND 80u" MIN. TIN PLATED OVER NICKEL ON SOLDER TAILS
2	HOUSING	1	THERMOPLASTIC UL94V-0
1	SHELL	1	COPPER ALLOY, NICKEL PLATED

ROHS COMPLIANCE

产品图  
PRODUCT CHART DWG

深圳市精拓金电子有限公司  
Shenzhen Jing Tuo Jin Electronics Co., Ltd.

公差一览表 TOLERANCE UNLESS OTHERWISE				单位 UNITS	MM	制图 DRAWING	YANG	制图料号 PRODUCT PART NO.	920-762A2021D10103
X.	±0.25	X.	±5°	比例 SCALE	1:1	审核 CHKD	郭治富	产品名称 PRODUCT NAME	HDMI 19P母座四脚插板
.X	±0.15	.X	±2°	日期 DATE	2020-05-22	核准 APPD	黄国荣	角法 VIEW	12.2*W15.0铜壳LCP黑胶SMT/编带
.XX	±0.10	.XX	±1°					版本 VER	A0
.XXX	±0.05	.XXX	±0.5°						

## X-ON Electronics

Largest Supplier of Electrical and Electronic Components

*Click to view similar products for [D-Sub Standard Connectors](#) category:*

*Click to view products by [Jing](#) manufacturer:*

Other Similar products are found below :

[015-0339-000](#) [015-0341-000](#) [015-0349-000](#) [015-0350-000](#) [015-8544-011](#) [015-8755-001](#) [017041-0005](#) [020419-0104](#) [609-25P](#) [609-9P](#)  
[M24308/2-23Z](#) [CT0-24-10SC](#) [CT0-36-3PC](#) [CT0E20-8PS](#) [CT0F16S-1PS](#) [CT0TA16-11SXCA232](#) [CT1E20-19SS](#) [CT2-10SL-3SC](#) [CT2-14S-2PCA34](#) [CT2-18-11PCAU](#) [CT2-22-19SC](#) [CT2-36-5PC](#) [CT6-10SL-3SC](#) [CT6-10SL-4SC](#) [CT6-14S-2SC](#) [CT6-16-12SC](#) [CT6-18-10PSA206](#)  
[CT6-18-10PSA232](#) [CT6-18-11PXSA206](#) [CT6-18-11PXSA232](#) [CT6-22-10PS](#) [CT6-24-5PC](#) [CT6-9767-18-8-18-4SS](#) [CT6E14S-5SC](#)  
[CT6E14SA7SC](#) [CT6E20-14SS](#) [CT6E22-14PC](#) [CT6E22-14PS](#) [CT6E22-19PS](#) [CT6E22-22PS](#) [CT6E24-10SC](#) [CT6F16S-1SC](#) [CT6FA10SL-4PS](#)  
[CT6LA20-19PC](#) [CT6M20-19SS](#) [CT6NSB4-20-8SS](#) [CT6TC14S-6SCAU](#) [CT6TC14S-7PS](#) [6STD15SCT99S40X](#) [6STF09PCM05B70X](#)