

RoHS

MAPX

MODIFICATION

DRW

DATE

A

A

B

B

C

C

D

D

E

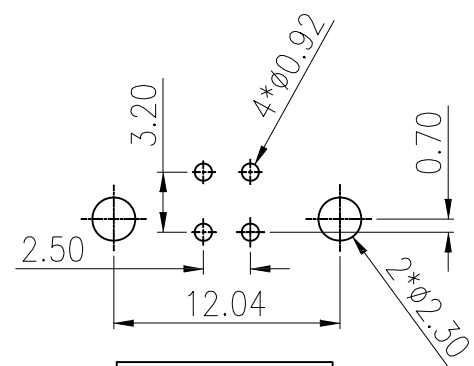
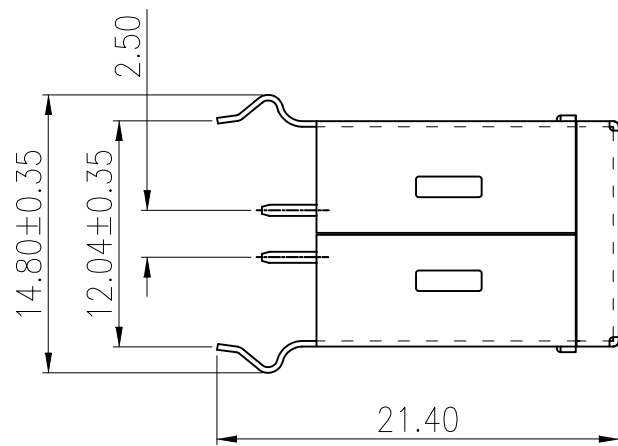
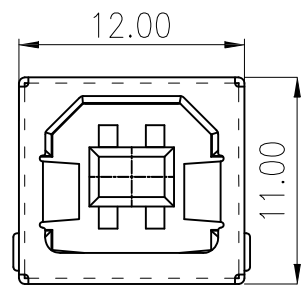
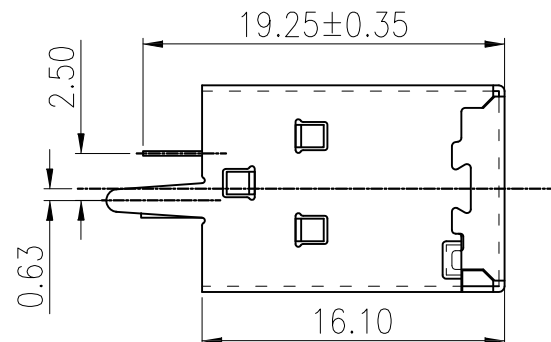
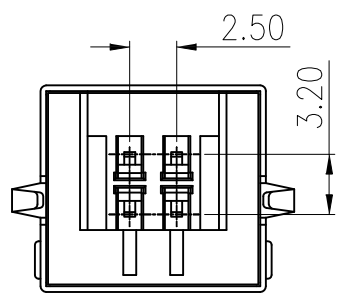
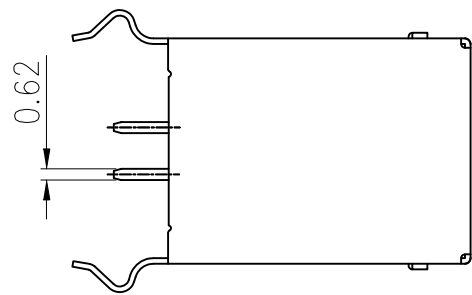
E

F

F

G

G



NOTES:

1.MATERIAL:

- 1.1 Housing:PBT ,UL94-HB
- 1.2 terminals:Copper Alloy
Gold plated in contact area:
Tin 40u"min plated in termination
Nickel Plated overall
- 1.3 Shell:SPCC t=0.30mm,
Nickel 40u"min Plated overall

2.ELECTRICAL CHARACTERISTICS:

- 2.1 Rating Current :1.5 Ampere
- 2.2 Rating Voltage :30 V Max
- 2.3 Contact Resistance:30 Milli ohms
- 2.4 Insulation Resistance:1000 Mega ohms Min

3.MECHANICAL CHARACTERISTICS:

- 3.1 Connector Mating force: 35N MAX(3.57Kgf)
- 3.2 Connector Unmating force:10N min(1.02Kg)
- 3.3 Durability:1500Cycles.

4.ENVIRONMENT CHARACTERISTICS:

- 4.1 Operating temperature:-0℃ to +50℃
- 4.2 Storage temperature:-20℃ to +60℃

PCB.LAYOUT

| | | | | | | | | | |
|-------------------------------------|-------|------|-------|---|------------|---------------|-----|--------------------------|--------------------|
| 产品图 PRODUCT CHART DWG | | | | 深圳市精拓金电子有限公司 Shenzhen Jing Tuo Jin Electronics Co., Ltd. | | | | | |
| 公差一览表 TOLERANCE UNLESS OTHERWISE | | | | 单位 UNITS | MM | 制图 DRAWING | 尹先华 | 制图料号 PRODUCT PART NO. | 921-111A1010Y10201 |
| X. | ±0.30 | X. | ±5.° | 比例 SCALE | 1:1 | 审核 CHKD | 郭治富 | 产品名称 PRODUCT NO. | BF180度铁壳L16.2弯脚白胶 |
| .XX | ±0.20 | .XX | ±1.° | 日期 DATE | 2021-04-15 | 核准 APPD | 黄国荣 | 角法 VIEW | ⊕ |
| .XXX | ±0.10 | .XXX | ±0.5° | | | | | 版本 VER | AO |

X-ON Electronics

Largest Supplier of Electrical and Electronic Components

Click to view similar products for [USB Connectors](#) category:

Click to view products by [Jing](#) manufacturer:

Other Similar products are found below :

[950](#) [A-USB B-TOP-C](#) [MUSBA511N5](#) [MUSBC111M5](#) [MUSBD11135](#) [17-200721](#) [217450-1](#) [KMBVX-TH-5S-B30](#) [896-30-004-00-000000](#)
[KUSBX-AS2N-W](#) [KUSBX-SMT2AP1S-W30](#) [935](#) [957](#) [30-498-6](#) [SK-60A-2](#) [1734082-1](#) [30-1574](#) [30-470](#) [30-489](#) [30-541](#) [30-572-3](#) [A-USB](#)
[A-2P-C](#) [MIKROE-1451](#) [USBFTV2PEM2G](#) [USBFTVSCCG](#) [4689-1](#) [1-1734084-2](#) [MUSBC11135](#) [USBF21ZNSCC](#) [USBBFTV6ZC](#)
[MUSBB151341](#) [10135326-001LF](#) [M9177/3-1](#) [TJ-105](#) [USB-A-S-F-B-VT](#) [4198](#) [690-024-633-031](#) [UB-20PMFP-LC7001](#) [USBFTVC6MRG](#)
[UA-20BMFA-SL8001](#) [17-200011](#) [USBFTVC7ZC](#) [UB-20AFMM-LL7A01](#) [USBFTVC2MN](#) [CAP-WCCMLPB1](#) [1310-1031-01](#) [2041386-1](#)
[2274475-3](#) [UB-20BMFA-SL8001](#) [UB-20PMFP-SC8003](#)