

REV	ECN NO.	DESCRIPTION	CHEKRD/DATE	APPD/DATE

NOTES: 1. MATERIAL:

MOLDING: LCP UL94 V-0

CONTACT: COPPER ALLOY.

GOLD PLATED MIN ON CONTACT AREA, 100u"

MIN TIN (LEAD FREE) ON SOLDER AREA,

SHELL: SUS304-H, T=0.30±0.03mm

50u" NICKEL PLATING OVER ALL.

SHILD: SUS304-H, T=0.12±0.03mm

2. MECHANICAL:

INSERTION: 5~20N.

EXTRACTION: 8~20N AFTER TEST.

DURABILITY: 10000 CYCLES

3. ELECTRICAL:

CURRENT: 5A FOR VBUS;

1.25A FOR GND PIN.

0.25A FOR OTHER.

VOLTAGE: 20 V MAX

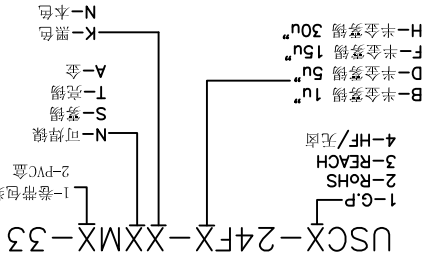
WITHSTANDING VOLTAGE: 100V AC R.M.S.

CONTACT RESISTANCE: 40mΩ MAX.

INSULATION RESISTANCE: 100MΩ MIN.

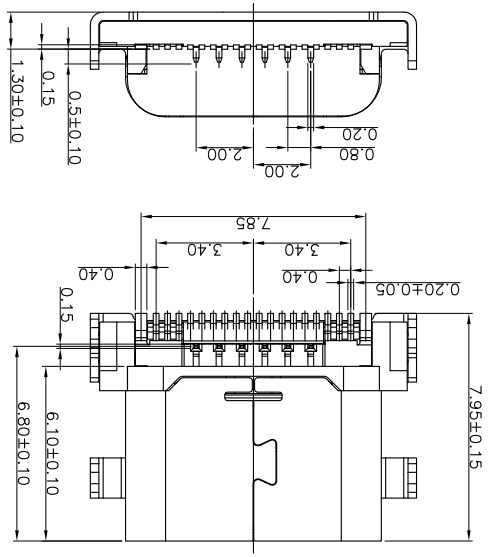
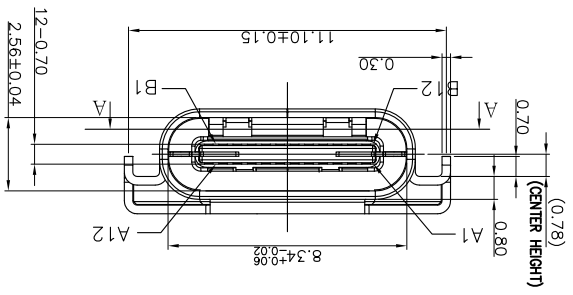
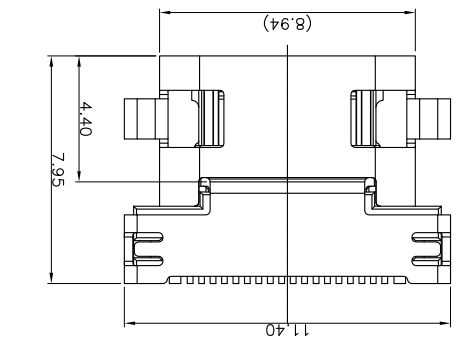
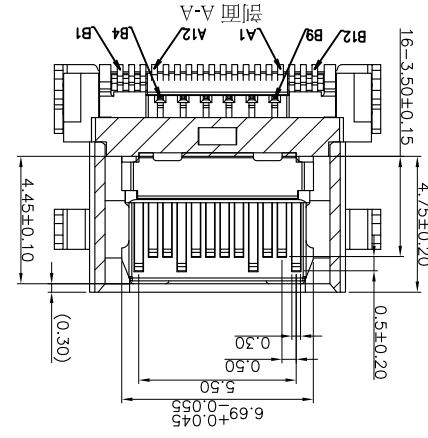
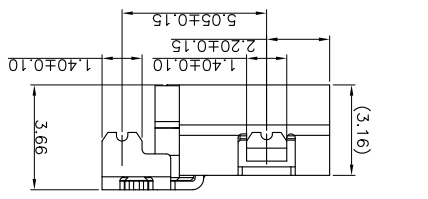
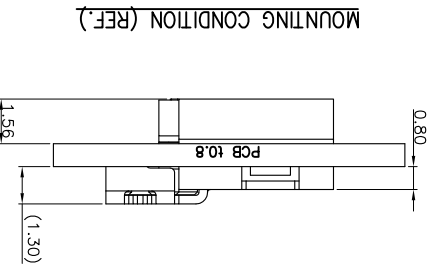
4. ENVIRONMENTAL

TEMPERATURE RANGE -25°C ~ +85°C



深圳市精拓金电子有限公司

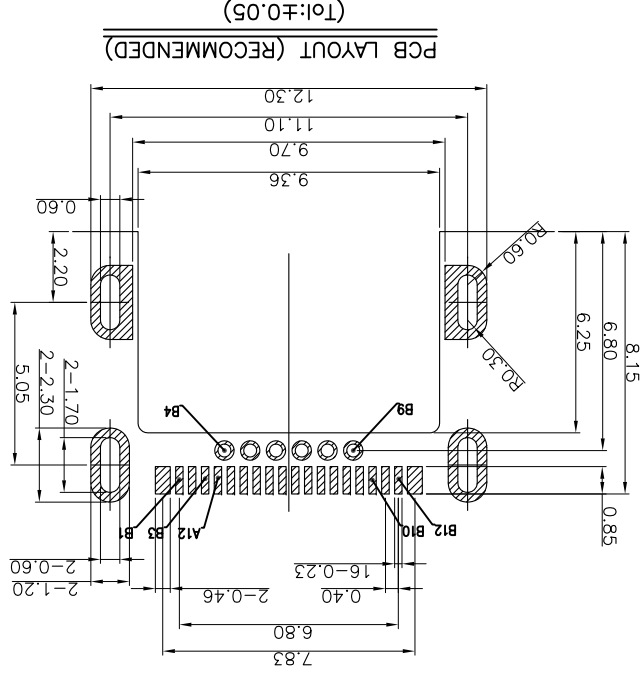
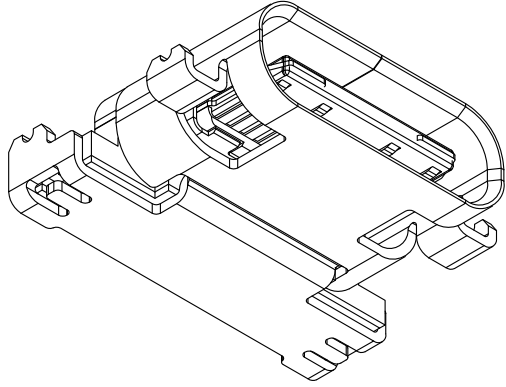
REV.	SCALE	UNIT	APP.	CHK.	DGN.	DRW.	SHEET:	SERIES	TITLE
X: ±1°	1:1	mm	X: ±0.25	.XX: ±0.15	.XX: ±0.02°	朱远明 15.10.28	1/1		USB 3.1 C TYPE 沉板 DIP+SMT成品
X: ±0.5°	.XXX: ±0.05	.XX: ±0.02°	X: ±0.5°	.XX: ±0.02°	朱远明 15.10.28	朱远明 15.10.28			短体7.95L 四脚插板
X: ±0.25	.XXX: ±0.05	.XX: ±0.02°	X: ±0.25	.XX: ±0.02°					LZUC30033(CU)



REV	ECN NO.	DESCRIPTION	CHECKD/DATE	APPD/DATE

USB TYPE-C FULL-FEATURED RECEPTACLE INTERFACE PIN ASSIGNMENTS

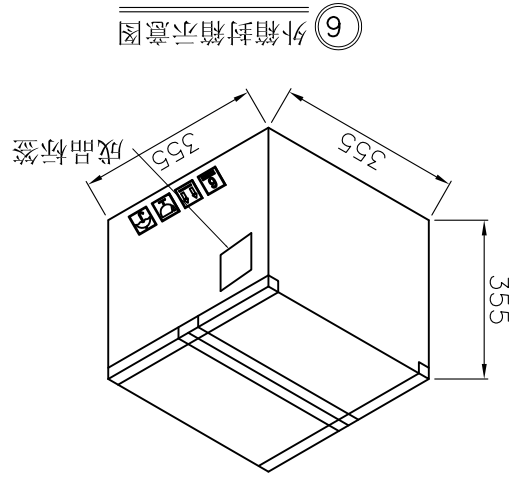
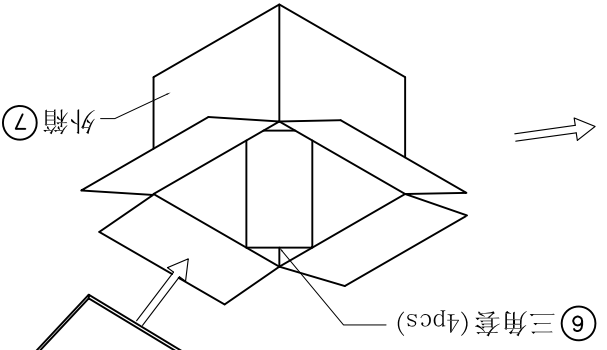
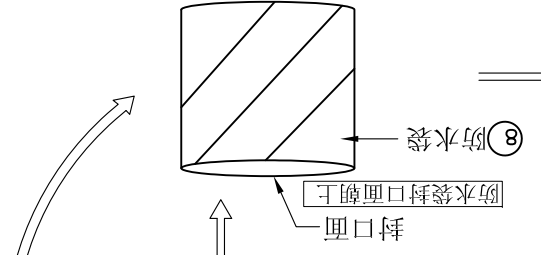
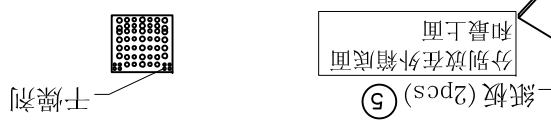
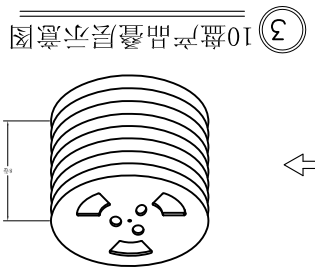
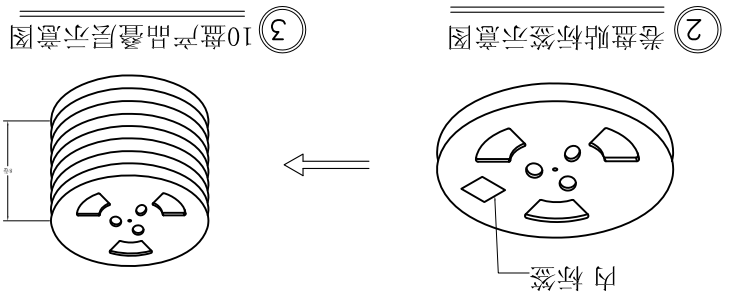
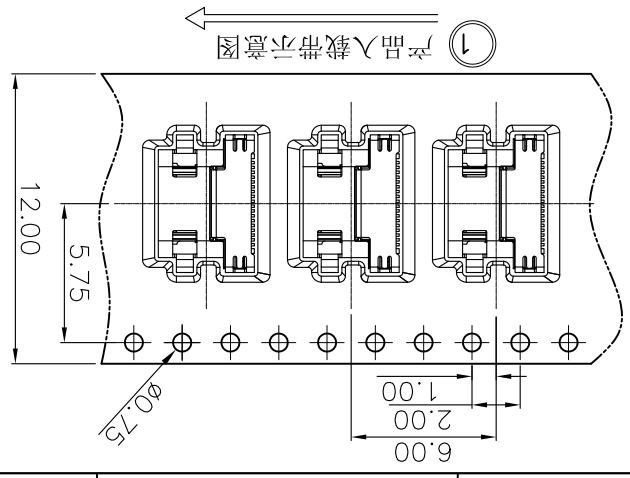
PIN	Signal Name	Description	Signal Name	Pin	Description
A1	GND	Ground return	B12	GND	Ground return
A2	SSTxp1	Positive half of first SuperSpeed TX differential pair	B11	SRKxp1	Positive half of first SuperSpeed RX differential pair
A3	SSTXn1	first SuperSpeed TX differential pair	B10	SRKXn1	Negative half of first SuperSpeed RX differential pair
A4	Vbus	Bus Power	B9	Vbus	Bus Power
A5	CC1	Configuration Channel	B8	SBU2	Sideband Use (SBU)
A6	Dp1	Positive half of the USB 2.0 differential pair-Position 1	B7	Dn2	Negative half of the USB 2.0 differential pair-Position 2
A7	Dn1	Negative half of the USB 2.0 differential pair-Position 1	B6	Dp2	Positive half of the USB 2.0 differential pair-Position 2
A8	SBU1	Sideband Use (SBU)	B5	CC2	Configuration Channel
A9	Vbus	Bus Power	B4	Vbus	Bus Power
A10	SSRXn2	Negative half of second SuperSpeed RX differential pair	B3	SSTXn2	Positive half of second SuperSpeed TX differential pair
A11	SSRXp2	Positive half of second SuperSpeed TX differential pair	B2	SSTXp2	Negative half of second SuperSpeed RX differential pair
A12	GND	Ground return	B1	GND	Ground return



深圳市精拓金电子有限公司

REV. A0	SHEET: 2/2	DRW. 朱远明15.10.28	SERIES	
SCALE: 1:1	UNIT: mm	DCN. 朱远明15.10.28	TITLE	USB 3.1 C TYPE 沉板DIP+SMT成品
.XXX:±0.05	.XX:±0.02	CHK.	DWG NO.	LZUC30033(CU)
.XX:±0.15	.X:±0.5	APP.		
.X:±0.25	X:±1			

REV.	ECCN NO.	DESCRIPTION	DRAWN/DATE	CHECKED/DATE	APPROVED/DATE



包装说明:

1. 将检验好的成品;SMT朝下放入载带底部;每卷装1000PCS产品;具体如图一所示
2. 将贴好内标签的产品;每盘必需贴上内标签;具体如图二所示
3. 将贴好内标签的产品每10盘叠一层装入防水袋中并加一包干燥剂;装好后将防水袋封好;具体如图三图四所示
4. 先将1pcs平卡放入纸箱底部;然后将装好产品的防水袋装入纸箱中;防水袋热熔封口,封口面需朝上;并将4PCS三角套分别装入4个角;如图五所示
5. 装好后将1pcs平卡放入纸箱最上面并封好纸箱及贴好相关标签;具体如图六所示;(产品包装的标签,如客户有要求,请按客户要求包装出货)
6. 载带前面留30PCS空格,后面留20PCS空格
7. COVER与CARRY剥离力:50-125g,速度:300mm/分钟左右,剥离角度:165°-180°

REV. A0		SHEET: 1/1	DRW.	朱运明 2015.10.28	SERIES
			SCALE	1:1	
UNIT	mm		DGN.	朱运明 2015.10.28	TITLE
	.XXX: ±0.25	.XX: ±0.02°	CHK.		USB 3.1 C 沉板母座包装图
	.X: ±0.50	.X: ±0.5°	APP.		PART NO
					UC2001 (CU)

深圳市精拓金电子有限公司

6
5
4
3
2
1

6
5
4
3
2
1

X-ON Electronics

Largest Supplier of Electrical and Electronic Components

Click to view similar products for [USB Connectors](#) category:

Click to view products by [Jing](#) manufacturer:

Other Similar products are found below :

[10033527-N3112MLF](#) [17-210561](#) [GMCB05B11124H1EU](#) [17-200931](#) [65-647-8-BK-BU](#) [690-010-295-484](#) [73725-1191BLF](#) [950](#) [E8144-B01021-L](#) [A-USB A-LP-SMT-C](#) [A-USB B-TOP-C](#) [MUSBA511N5](#) [MUSBB15131](#) [MUSBC111M5](#) [MUSBD11135](#) [217450-1](#) [CA 6 W LD](#)
[896-30-004-00-000000](#) [KUSBVX-BS1N-W30](#) [KUSBX-AP-KIT-SCBLK](#) [KUSBX-AS2N-W](#) [KUSBX-SMT2AP1S-W](#) [KUSBX-SMTAS1NBTR](#) [KUSBX-SMTBS1NBTR](#) [30-498-6](#) [SK-60A-2](#) [17-200261](#) [17-210051](#) [1734082-1](#) [FK-37-32SL](#) [30-1574](#) [30-470](#) [30-489](#) [30-541](#) [30-572-3](#) [30-9503](#) [M9177/2-1](#) [MAB 5 S](#) [MIKROE-1451](#) [33UBBR-04SW11R](#) [USBFTV2PEM2G](#) [USBFTVC6ZN](#) [USBFTVSCCG](#)
[KUSBX-AS2N-W30](#) [KUSBX-SLAS1N-W](#) [KUSBX-SLAS1N-W30](#) [1-1734084-2](#) [E8110-001-01](#) [MUSBC11135](#) [NK-27-32SL](#)