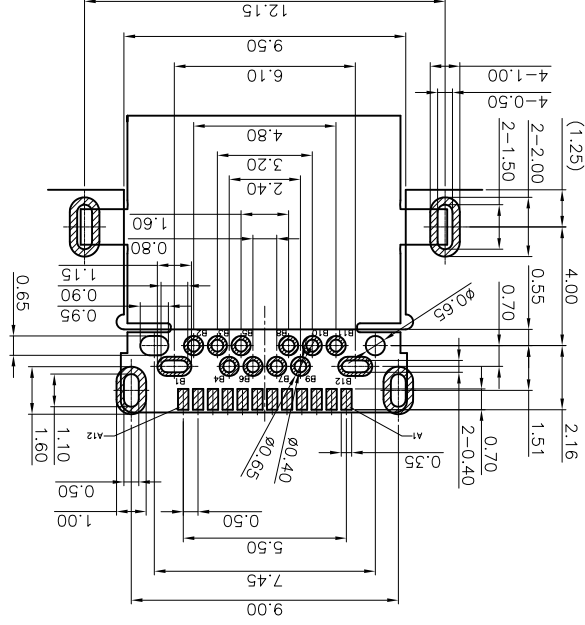
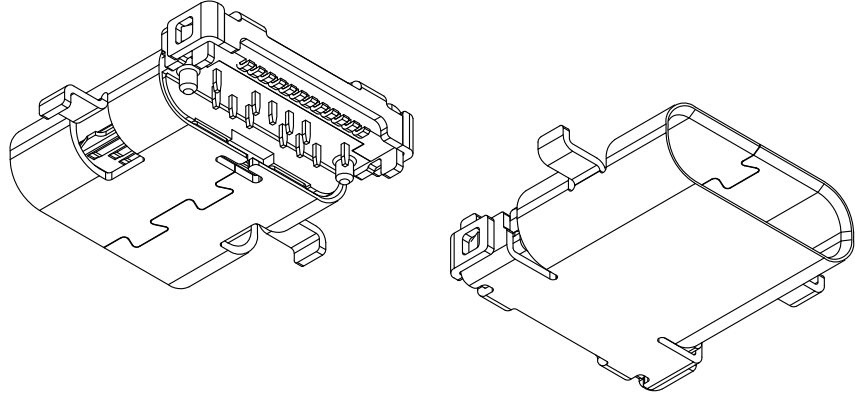


MAPX	MODIFICATION	DATE
------	--------------	------

USB TYPE-C FULL-FEATURED RECEPTACLE INTERFACE PIN ASSIGNMENTS

PIN	Signal Name	Description	PIN	Signal Name	Description
A1	GND	Ground return	B12	GND	Ground return
A2	SSTxp1	Positive half of first SuperSpeed TX differential pair	B11	SSTxp1	Positive half of first SuperSpeed TX differential pair
A3	SSTXn1	Negative half of first SuperSpeed TX differential pair	B10	SSTXn1	Negative half of first SuperSpeed TX differential pair
A4	Vbus	Bus Power	B9	Vbus	Bus Power
A5	CC1	Configuration Channel	B8	CC1	Configuration Channel
A6	Dp1	Positive half of the USB 2.0 differential pair-Position 1	B7	Dp1	Positive half of the USB 2.0 differential pair-Position 1
A7	Dn1	Negative half of the USB 2.0 differential pair-Position 1	B6	Dn1	Negative half of the USB 2.0 differential pair-Position 1
A8	RFU1	Reserved for Future Use (RFU)	B5	RFU1	Reserved for Future Use (RFU)
A9	Vbus	Bus Power	B4	Vbus	Bus Power
A10	SSRXn2	Negative half of second SuperSpeed RX differential pair	B3	SSRXn2	Negative half of second SuperSpeed RX differential pair
A11	SSRXn2	Positive half of second SuperSpeed RX differential pair	B2	SSRXn2	Positive half of second SuperSpeed RX differential pair
A12	GND	Ground return	B1	GND	Ground return



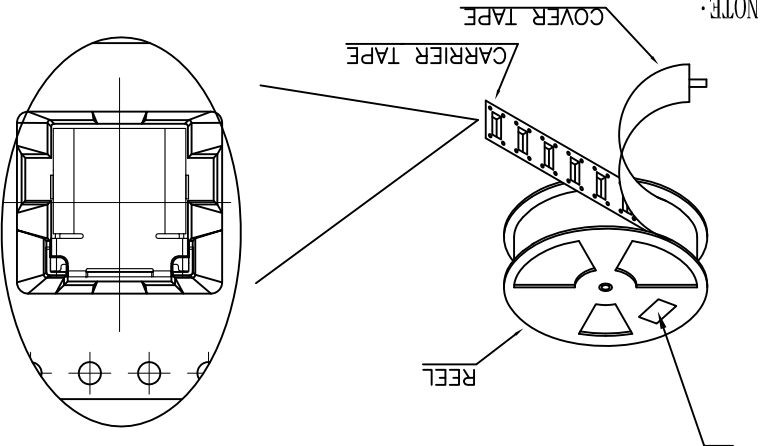
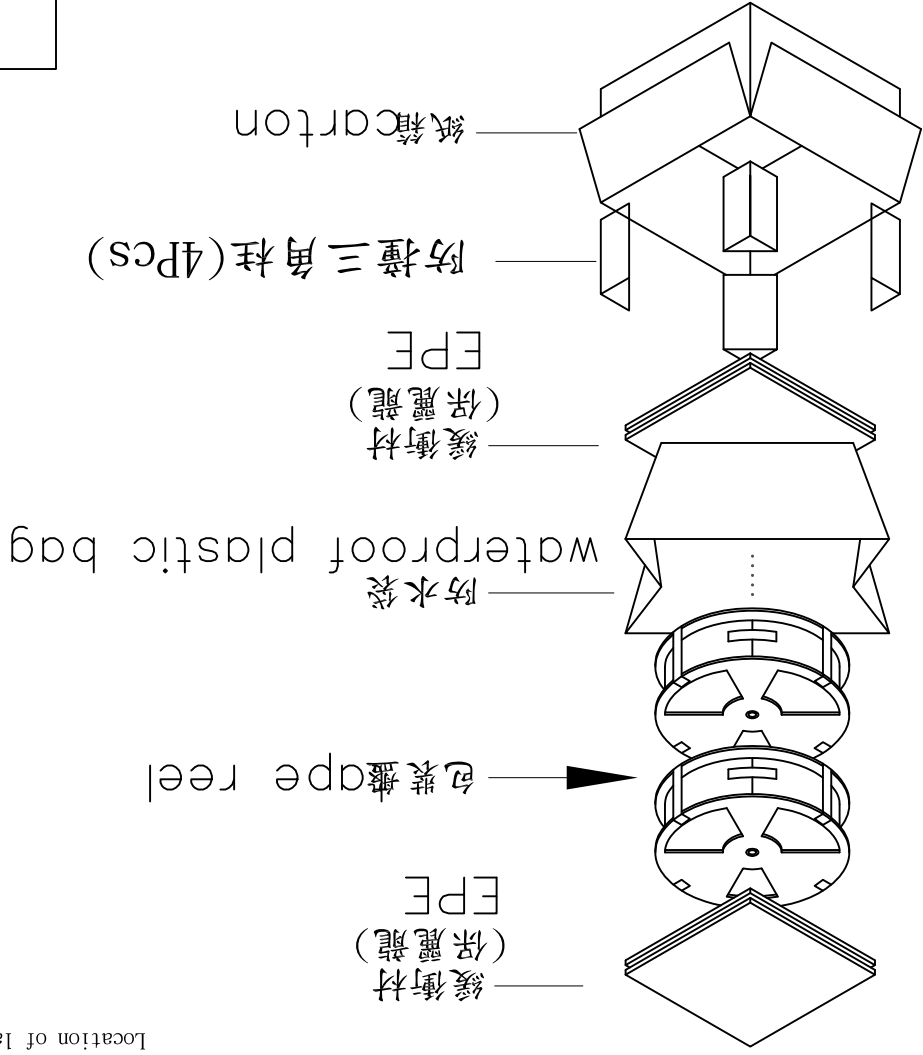
深圳市精拓金电子有限公司

产品图		公差一览表		TOLERANCE UNLESS OTHERWISE	
PRODUCT CHART DWG		公差一览表		TOLERANCE UNLESS OTHERWISE	
单位	MM	UNIT	MM	SCALE	1:1
制图	Z-Y-B	DRAWING	Z-Y-B	制图料号	PRODUCT PART NO.
审核		CHECK		产品名称	PRODUCT NO.
核准		APPROVE		USB 3.1 C TYPE FEMALE SINK CONNECTOR SMT+DIP	
日期	2014.05.15	DATE	2014.05.15	角注	VIEW
.XXX	±0.10	.XXX	±0.10	版本	VER
.XX	±0.15	.XX	±0.15	AO	
.X	±0.20	.X	±0.20		
X	±0.25	X	±0.25		
±0.5		±0.5			

深圳市精拓金电子有限公司

产品图		公差一覽表		TOLERANCE UNLESS OTHERWISE	
PRODUCT CHART DWG		X. ±0.25		X. ±5.°	
.XX ±0.15		.XX ±1.°		.XXX ±0.10	
.XXX ±0.5		.XX ±2.°		.XXX ±0.10	
X. ±0.20		X. ±2.°		X. ±0.10	
X. ±0.15		X. ±1.°		X. ±0.10	
X. ±0.10		X. ±0.5		X. ±0.10	
X. ±0.05		X. ±0.5		X. ±0.10	

单位	MM	制图	Z-Y-B	制图料号	
UNITS	MM	DRAWING	Z-Y-B	PRODUCT PART NO.	
比例	1:1	审核		产品名称	USB 3.1 C TYPE FEMALE SINK CONNECTOR SMT+DIP
SCALE	1:1	CHKD		PRODUCT NO.	
日期	2014.05.15	核准		角法	第三角法
DATE	2014.05.15	APPD		VIEW	第三角法
版本号	A0	版本		角法	第三角法
VER	A0	版本		角法	第三角法



NOTE:
 1. 潘 婦規 講準潘耗規耗 講 X0恒桶跡。
 2. 眇放糯 葡分恒婦規 ?婦規 婦規
 Use cover tape to cover and hot melt machine to seal up.
 3. 潘?眇溫?溢鉄蹙
 Every carton use 2pcs EPE.
 4. 規 家 腔燈屨溫?眇眇眇繡 猶諸
 Put reels in the carton and use adhesive tape to seal up.

at small positioning hole of the carrier tape side).
 標發黏貼處 (朝捲裝包材的小定位孔一側)
 Location of label sticking (label)

MAPX	MODIFICATION	DATE

X-ON Electronics

Largest Supplier of Electrical and Electronic Components

Click to view similar products for [USB Connectors](#) category:

Click to view products by [Jing](#) manufacturer:

Other Similar products are found below :

[10033527-N3112MLF](#) [17-210561](#) [GMCB05B11124H1EU](#) [17-200931](#) [65-647-8-BK-BU](#) [690-010-295-484](#) [73725-1191BLF](#) [950](#) [E8144-B01021-L](#) [A-USB A-LP-SMT-C](#) [A-USB B-TOP-C](#) [MUSBA511N5](#) [MUSBB15131](#) [MUSBC111M5](#) [MUSBD11135](#) [217450-1](#) [CA 6 W LD](#)
[896-30-004-00-000000](#) [KUSBVX-BS1N-W30](#) [KUSBX-AP-KIT-SCBLK](#) [KUSBX-AS2N-W](#) [KUSBX-SMT2AP1S-W](#) [KUSBX-SMTAS1NBTR](#) [KUSBX-SMTBS1NBTR](#) [30-498-6](#) [SK-60A-2](#) [17-200261](#) [17-210051](#) [1734082-1](#) [FK-37-32SL](#) [30-1574](#) [30-470](#) [30-489](#) [30-541](#) [30-572-3](#) [30-9503](#) [M9177/2-1](#) [MAB 5 S](#) [MIKROE-1451](#) [33UBBR-04SW11R](#) [USBFTV2PEM2G](#) [USBFTVC6ZN](#) [USBFTVSCCG](#)
[KUSBX-AS2N-W30](#) [KUSBX-SLAS1N-W](#) [KUSBX-SLAS1N-W30](#) [1-1734084-2](#) [E8110-001-01](#) [MUSBC11135](#) [NK-27-32SL](#)