

REV	ECN NO.	DISCRPTION	CHEKRD/DATE	APPD/DATE

NOTES: 1. MATERIAL:

MOLDING: LCP UL94 V-0

CONTACT: COPPER ALLOY.

GOLD PLATED MIN ON CONTACT AREA, 100u"

Min TIN (LEAD FREE) ON SOLDER AREA,

SHELL: SUS304-H,T=0.30±0.03mm

50u" NICKEL PLATING OVER ALL.

SHLD: SUS304-H,T=0.12±0.03mm

2. MECHANICAL:

INSERTION: 5~20N.

EXTRACTION: 8~20N AFTER TEST.

DURABILITY: 10000 CYCLES

3. ELECTRICAL:

CURRENT: 5A FOR VBUS;

1.25A FOR GND PIN.

0.25A FOR OTHER.

VOLTAGE: 20 V MAX

WITHSTANDING VOLTAGE: 100V AC R.M.S.

CONTACT RESISTANCE: 40mΩ MAX.

INSULATION RESISTANCE: 100MΩ MIN.

4. ENVIRONMENTAL

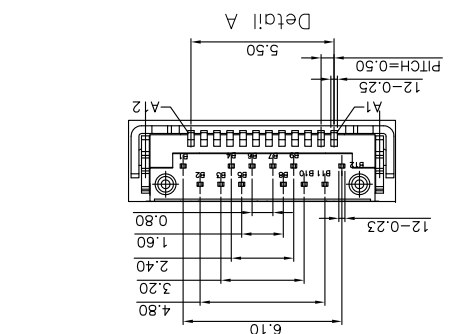
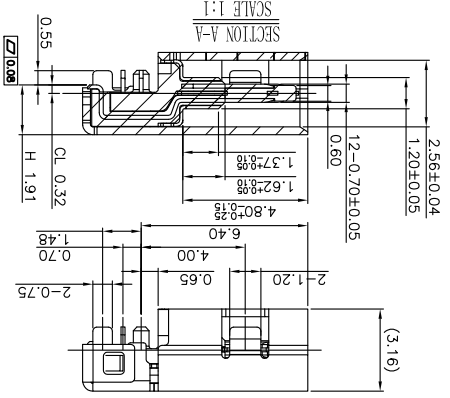
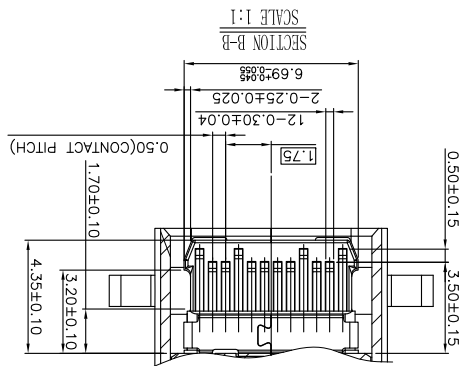
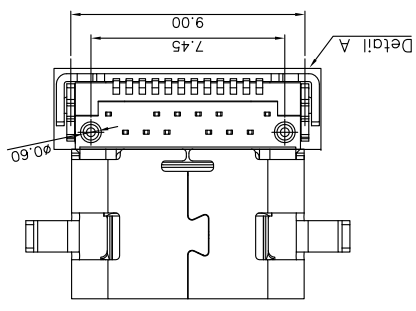
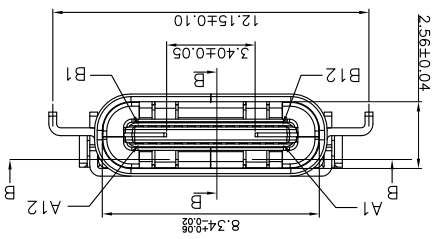
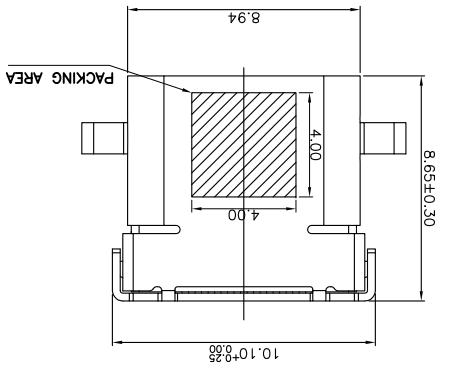
TEMPERATURE RANGE -25°C ~ +85°C

USCX-24FX-XXMX-35

- 1-G.P
- 2-ROHS
- 3-REACH
- 4-HF/无卤
- 1-卷带包装
- 2-PVC盒
- N-可焊膜
- S-锡
- T-亮锡
- A-金
- F-半金锡 15u"
- D-半金锡 5u"
- B-半金锡 1u"
- K-黑色
- N-本色

深圳市精拓金电子有限公司

REV.	A0	SHEET:	1/1	DRM.	朱连明 15.09.23	SERIES	
SCALE	1:1	UNIT	mm	DGN.	朱连明 15.09.23	TITLE	USB 3.1 C TYPE 沉板 DIP+SMT成品 短体8.65L四脚插板
.XXX:±0.05	.XX:±0.02°	CHK.		APP.		DWG NO.	LZUC30035 (CU)
.XX:±0.15	.X:±0.5°						
.X:±0.25	X:±1°						



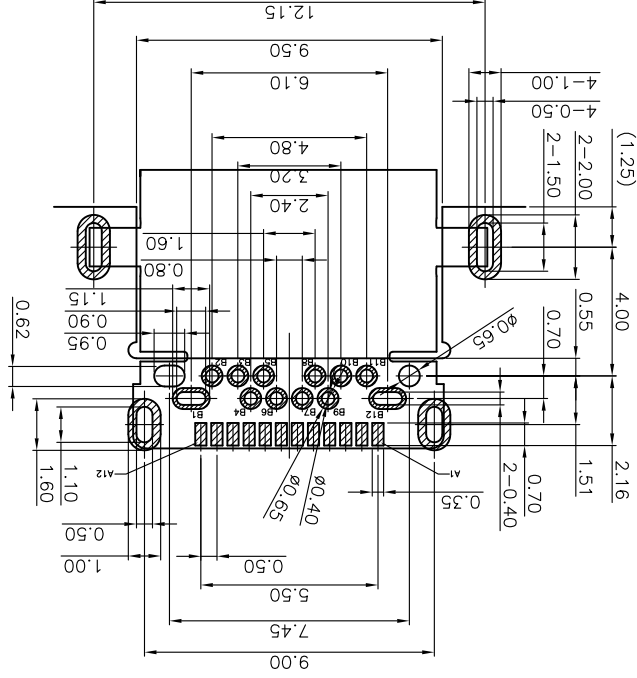
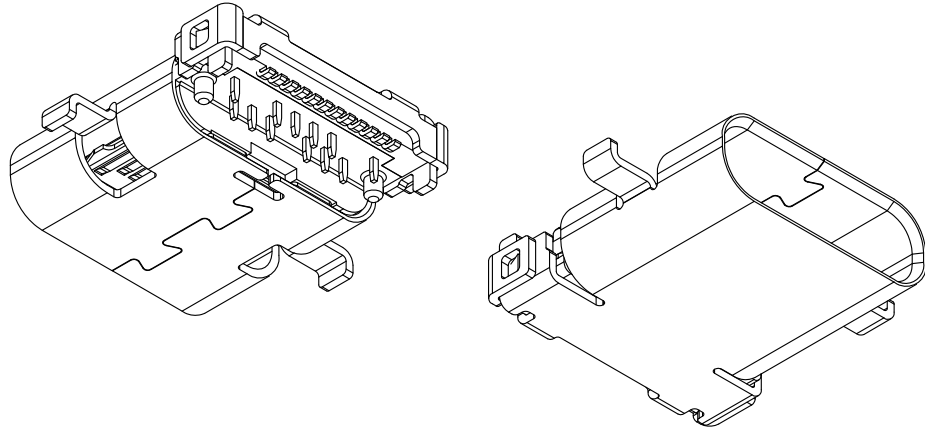
REV	ECN NO.	DISCRPTION	CHEKRD/DATE	APPD/DATE

USB TYPE-C FULL-FEATURED RECEPTACLE INTERFACE PIN ASSIGNMENTS

PIN	Signal Name	Description	PIN	Signal Name	Description
A1	GND	Ground return	B12	GND	Ground return
A2	SSTXp1	SuperSpeed TX	B11	SSRXp1	SuperSpeed RX
A3	SSTXn1	Negative half of differential pair	B10	SSRXn1	First SuperSpeed RX differential pair
A4	Vbus	Bus Power	B9	Vbus	Bus Power
A5	CC1	Configuration Channel	B8	SBU2	Sideband Use (SBU)
A6	Dp1	Positive half of the USB 2.0 differential pair-Position 1	B7	Dn2	Negative half of the USB 2.0 differential pair-Position 2
A7	Dn1	Negative half of the USB 2.0 differential pair-Position 1	B6	Dp2	Positive half of the USB 2.0 differential pair-Position 2
A8	SBU1	Sideband Use (SBU)	B5	CC2	Configuration Channel
A9	Vbus	Bus Power	B4	Vbus	Bus Power
A10	SSRXn2	Negative half of second SuperSpeed RX differential pair	B3	SSTXn2	Negative half of second SuperSpeed TX differential pair
A11	SSRXp2	Positive half of second SuperSpeed RX differential pair	B2	SSTXp2	Positive half of second SuperSpeed TX differential pair
A12	GND	Ground return	B1	GND	Ground return

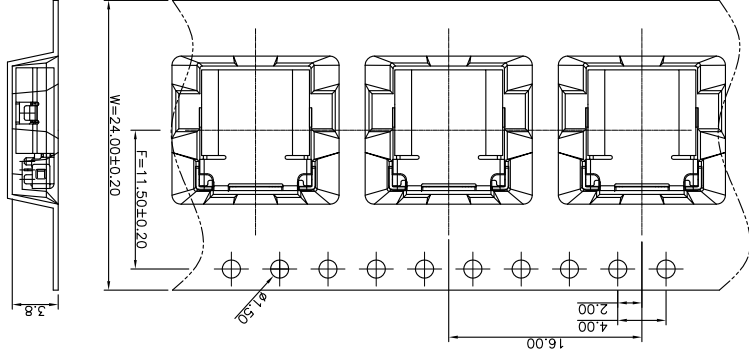
# 深圳市精拓金电子有限公司

REV.	A0	SHEET:	2/2	DRW.	朱远明 15.09.23	SERIES	
SCALE	1:1	DGN.		CHK.		TITLE	USB 3.1 C TYPE 沉板DIP+SMT成品
UNIT	mm	APP.		APP.		DWG NO.	LZUC30035(CU)
.XXX:±0.05	.XX:±0.02	.XX:±0.15	.X:±0.5°	X:±1°			

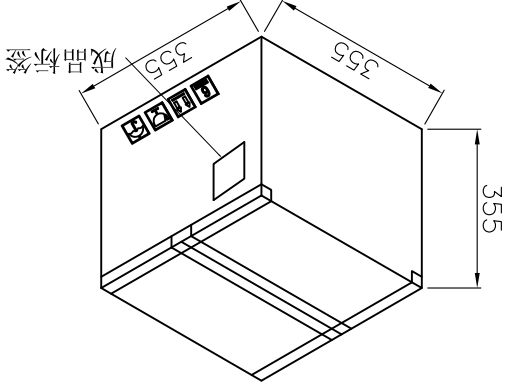


RECOMMEND P.C.B LAYOUT(COMPONENT SIDE)  
TOLERANCE FOR PCB LAYOUT IS ± 0.05  
KEEP OUT AREA

REV.	ECN NO.	DESCRIPTION	DRAWN/DATE	CHECKED/DATE	APPROVED/DATE

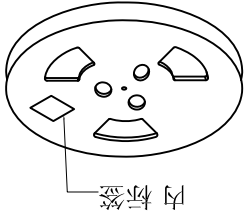


① 产品入载带示意图

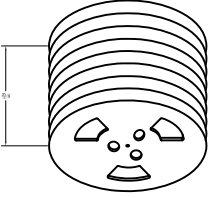


⑥ 外箱封箱示意图

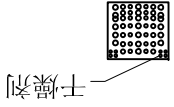
- 包装说明:
1. 将检验好的成品;SMT朝下放入载带底部;每卷装1000PCS产品;具体如图一所示
  2. 将贴好的产品;每盘必需贴上内标签;具体如图二所示
  3. 将贴好内标签的产品每8盘叠一层装入防水袋中并加一包干燥剂;装好后将防水袋封好;具体如图三图四所示
  4. 先将1pcs平卡放入纸箱底部;然后将装好产品的防水袋装入纸箱中;防水袋热熔封口,封口面需朝上;并将4PCS三角套分别装入4个角;如图五所示
  5. 装好后将1pcs平卡放入纸箱最上面并封好纸箱及贴好相关标签;具体如图六所示;
  6. 裁带前面留30PCS空格,后面留20PCS空格
  7. COVER与CARRY剥离力:50-125g,速度:300mm/分钟左右,剥离角度:165°-180°



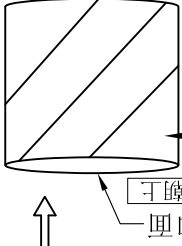
② 卷盘贴标签示意图



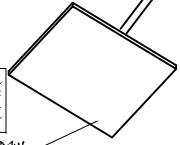
③ 8盘产品叠层示意图



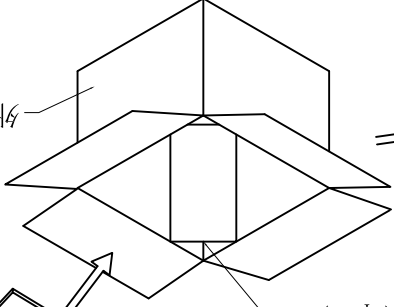
干燥剂



④ 8盘产品入防水袋示意图



⑤ 纸板(2pcs)和最上面



⑥ 三角套(4pcs)

⑤ 产品入外箱示意图

# 深圳市精拓金电子有限公司

REV.	NO	SHEET: 1/1	DRW.	SERIES	PART NO	TITLE
SCALE	1:1		DGN.	朱远明15.09.23	LZUC2034(CU)	USB 3.1 C 沉板母座包装图
UNIT	mm		CHK.			
.XXX: ±0.25	.XX: ±0.02°		APP.			
.X: ±0.30	.X: ±0.5°					
.X: ±0.50	X: ±1°					

图三

图四

## X-ON Electronics

Largest Supplier of Electrical and Electronic Components

*Click to view similar products for [USB Connectors](#) category:*

*Click to view products by [Jing](#) manufacturer:*

Other Similar products are found below :

[10033527-N3112MLF](#) [17-210561](#) [GMCB05B11124H1EU](#) [17-200931](#) [65-647-8-BK-BU](#) [690-010-295-484](#) [73725-1191BLF](#) [950](#) [E8144-B01021-L](#) [A-USB A-LP-SMT-C](#) [A-USB B-TOP-C](#) [MUSBA511N5](#) [MUSBB15131](#) [MUSBC111M5](#) [MUSBD11135](#) [217450-1](#) [CA 6 W LD](#) [896-30-004-00-000000](#) [KUSBVX-BS1N-W30](#) [KUSBX-AP-KIT-SCBLK](#) [KUSBX-AS2N-W](#) [KUSBX-SMT2AP1S-W](#) [KUSBX-SMTAS1NBTR](#) [KUSBX-SMTBS1NBTR](#) [30-498-6](#) [SK-60A-2](#) [17-200261](#) [17-210051](#) [1734082-1](#) [FK-37-32SL](#) [30-1574](#) [30-470](#) [30-489](#) [30-541](#) [30-572-3](#) [30-9503](#) [M9177/2-1](#) [MAB 5 S](#) [MIKROE-1451](#) [33UBBR-04SW11R](#) [USBFTV2PEM2G](#) [USBFTVC6ZN](#) [USBFTVSCCG](#) [KUSBX-AS2N-W30](#) [KUSBX-SLAS1N-W](#) [KUSBX-SLAS1N-W30](#) [1-1734084-2](#) [E8110-001-01](#) [MUSBC11135](#) [NK-27-32SL](#)