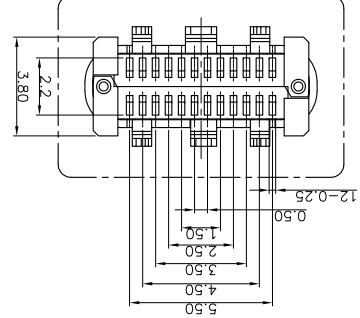
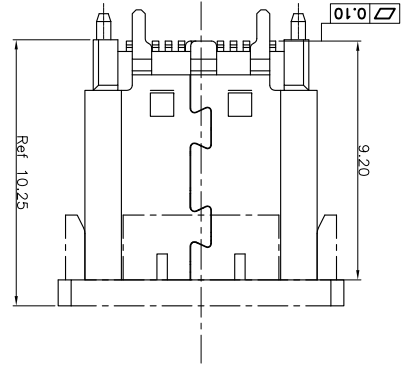
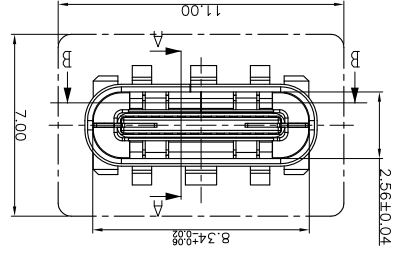
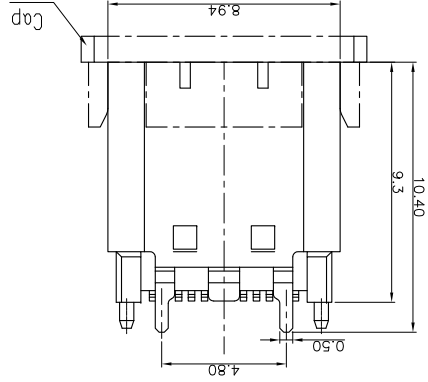
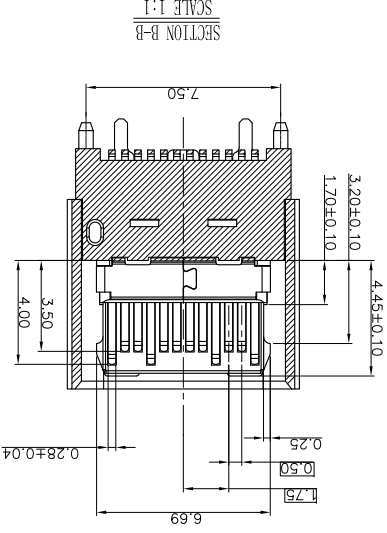
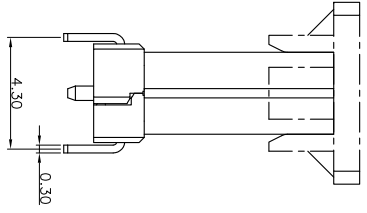
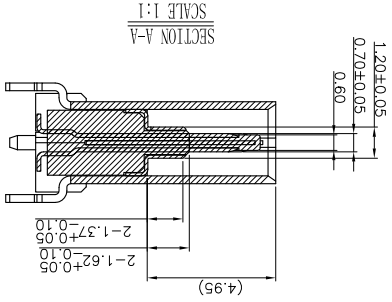


日期	变更内容	日期
DATE	MODIFICATION	DATE

NOTES:

1. MATERIAL: MOLDING: LCP UL94 V-0
CONTACT: COPPER ALLOY.
GOLD PLATED 30u" Min ON CONTACT AREA, 100u"
Min TIN (LEAD FREE) ON SOLDER AREA,
SHELL: SUS304-H, T=0.30±0.03mm
50u" NICKEL PLATING OVER ALL.
SHILD: SUS304-H, T=0.12±0.03mm
2. MECHANICAL:
INSERTION: 5~20N.
EXTRACTION: 8~20N.
DURABILITY: 1000 CYCLES
3. ELECTRICAL:
CURRENT: 5A MIN FOR VBUS;
VOLTAGE: 5VAC MAX
WITHSTANDING VOLTAGE: 100V AC.
CONTACT RESISTANCE: 40mΩ MAX.
INSULATION RESISTANCE: 100MΩ MIN.
ENVIRONMENTAL
TEMPERATURE RANGE -55°C ~ +85°C



产品图
PRODUCT CHART DWG

公差一览表
TOLERANCE UNLESS OTHERWISE

X	±0.25	X'	±2	X	±0.25
X	±0.20	X'	±2	X	±0.20
.XX	±0.15	.XX'	±1	.XX	±0.15
.XXX	±0.10	.XXX'	±0.5	.XXX	±0.10

单位
UNITS

MM

制图
DRAWING

Z-Y-B

产品料号
PRODUCT PART NO.

产品名称
PRODUCT NAME

USB 3.1 C TYPE 母头180度贴板

角法
VIEW

⊙

版本
VER

A0

日期
DATE

2015.07.30

核准
APPD

审核
CHRD

1:1

比例
SCALE

1:1

日期
DATE

2015.07.30

深圳市精拓金电子有限公司

产品料号
PRODUCT PART NO.

产品名称
PRODUCT NAME

USB 3.1 C TYPE 母头180度贴板

角法
VIEW

⊙

版本
VER

A0

日期
DATE

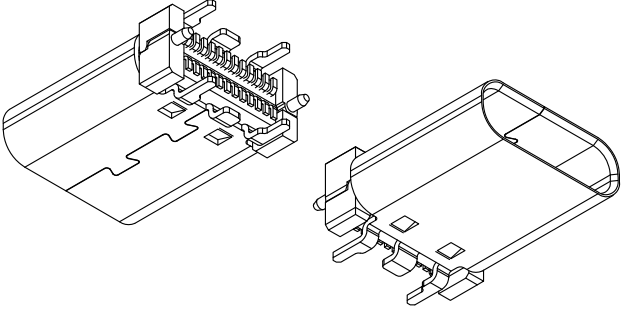
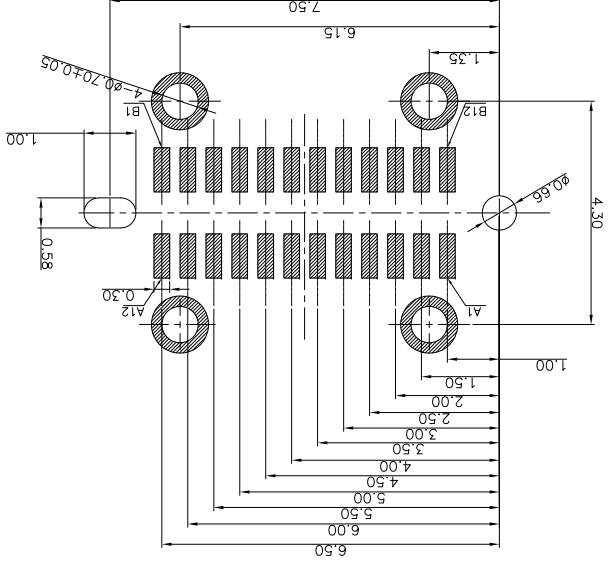
公差一览表 TOLERANCE UNLESS OTHERWISE SPECIFIED		单位 UNITS	MM	制图 DRAWING	Z-Y-B	产品料号 PRODUCT PART NO.
X	±0.25	X	±1	比例 SCALE	1:1	审核 CHKD
X	±0.15	.XX	±1	日期 DATE	2015.07.30	核准 APPD
.XXX	±0.10	.XXX	±0.5	角注 VTR		

产品图
PRODUCT CHART DWG

深圳市精拓金电子有限公司

版本 VER	40
产品名称 PRODUCT NO.	USB 3.1 C TYPE 母头180度贴板

RECOMMENDED P.C.B. LAYOUT (T:1.00mm)
TOLERANCE UNSPECIFIED ±0.05mm
SCALE: 2:1



Signal Name	Description	Signal Name	Description
A1	Ground return	A12	Ground return
A2	Positive half of first SuperSpeed TX	A11	Positive half of second SuperSpeed RX differential pair
B11	SuperSpeed TX differential pair	B2	Negative half of second SuperSpeed RX differential pair
B10	First SuperSpeed TX differential pair	B3	Positive half of second SuperSpeed RX differential pair
B9	Bus Power	B4	Negative half of second SuperSpeed RX differential pair
B8	Configuration Channel	B5	Bus Power
B7	Positive half of the USB 2.0 differential pair-Position 1	B6	Reserved for Future Use (RFU)
B6	Negative half of the USB 2.0 differential pair-Position 1	B5	Reserved for Future Use (RFU)
B5	USB 2.0 differential pair-Position 1	B4	Reserved for Future Use (RFU)
B4	Configuration Channel	B3	Bus Power
B3	Positive half of the USB 2.0 differential pair-Position 1	B2	Bus Power
B2	Negative half of the USB 2.0 differential pair-Position 1	B1	Bus Power
B1	First SuperSpeed TX differential pair	B1	Ground return
A1	Ground return	B1	Ground return

USB TYPE-C FULL-FEATURED RECEPTACLE INTERFACE PIN ASSIGNMENTS

目錄 MAPX	修改內容 MODIFICATION	日期 DATE
------------	----------------------	------------

X-ON Electronics

Largest Supplier of Electrical and Electronic Components

Click to view similar products for [USB Connectors](#) category:

Click to view products by [Jing](#) manufacturer:

Other Similar products are found below :

[10033527-N3112MLF](#) [17-210561](#) [GMCB05B11124H1EU](#) [17-200931](#) [65-647-8-BK-BU](#) [690-010-295-484](#) [73725-1191BLF](#) [950](#) [E8144-B01021-L](#) [A-USB A-LP-SMT-C](#) [A-USB B-TOP-C](#) [MUSBA511N5](#) [MUSBB15131](#) [MUSBC111M5](#) [MUSBD11135](#) [217450-1](#) [CA 6 W LD](#)
[896-30-004-00-000000](#) [KUSBVX-BS1N-W30](#) [KUSBX-AP-KIT-SCBLK](#) [KUSBX-AS2N-W](#) [KUSBX-SMT2AP1S-W](#) [KUSBX-SMTAS1NBTR](#) [KUSBX-SMTBS1NBTR](#) [30-498-6](#) [SK-60A-2](#) [17-200261](#) [17-210051](#) [1734082-1](#) [FK-37-32SL](#) [30-1574](#) [30-470](#) [30-489](#) [30-541](#) [30-572-3](#) [30-9503](#) [M9177/2-1](#) [MAB 5 S](#) [MIKROE-1451](#) [33UBBR-04SW11R](#) [USBFTV2PEM2G](#) [USBFTVC6ZN](#) [USBFTVSCCG](#)
[KUSBX-AS2N-W30](#) [KUSBX-SLAS1N-W](#) [KUSBX-SLAS1N-W30](#) [1-1734084-2](#) [E8110-001-01](#) [MUSBC11135](#) [NK-27-32SL](#)