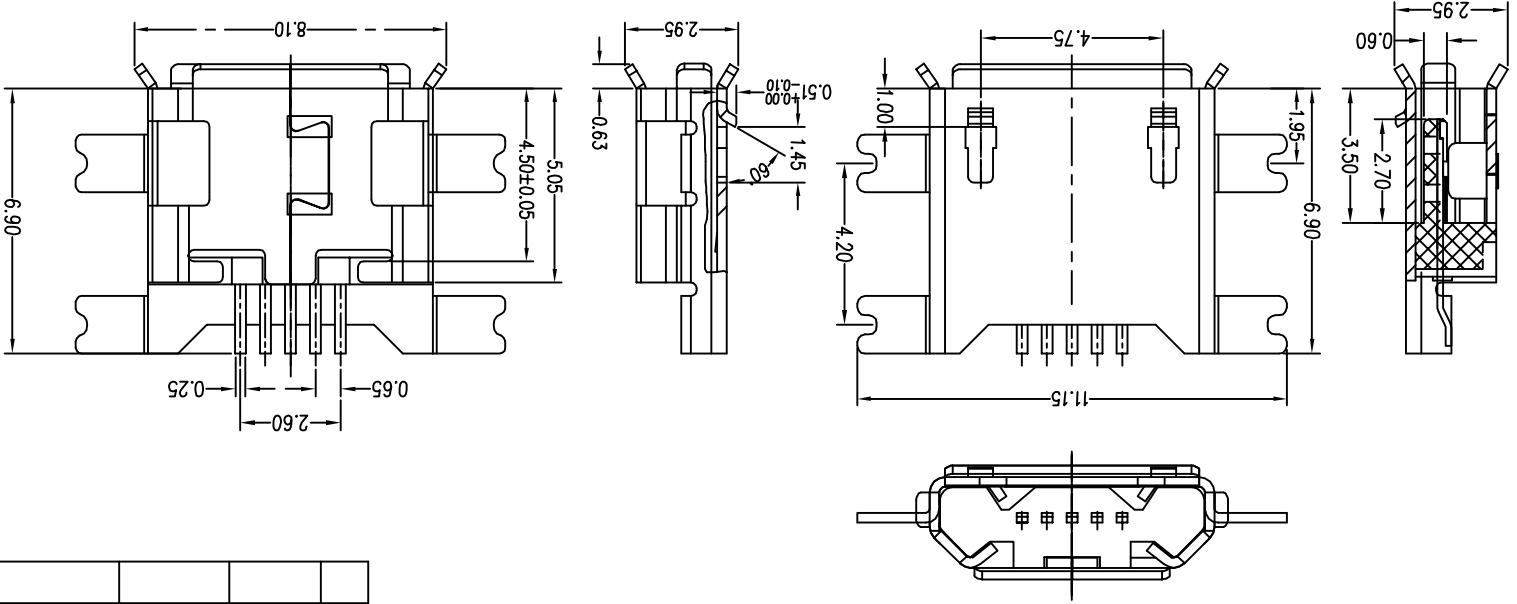


REV.	ECON NO	LOCATIONS	DESCRIPTION	DATE	REVSER	APPD



RECOMMENDED PCB LAYOUT

- Note:
- Material: High temperature thermoplastic with g.f.U.L94v-0
 - Contact: copper alloy,t=0.20mm
 - Shell: copper alloy,t=0.25mm
 - Specification:
 - Current rating: 1 A Max.
 - Dielectric withstanding voltage: 100 V(ac) for 1 min.
 - Contact resistance: 50 mΩ Max.
 - Insulation resistance: 100 MΩ Max.
 - Total mating force: 3.57 Kgf Max.
 - Total unmating force: 1.0 Kgf Min,0.81~2.05 Kgf Min,after 10000 insertion/extraction cycles
 - Temperature range: -30C~80C

Part No. 1-MD05SMXXX-01	Material: SEE NOTE	Model No.:	Finish: SEE NOTE	Color: SEE NOTE	DR: ???	CHK: A055	DWG NO: A055	REV: A
UNIT: mm	SIZE: A4	TOLERANCE UNSPECIFIED	DR: ???	APP: F2	ANG. F2	CHK: F2	SCALE: 1:1	SHEET: 1/1
3	Shell	1	N/A	5	N/A	2	Contact	5
2	Contact	5	N/A	1	N/A	1	Housing	1
1	Housing	1	N/A	1	N/A	1	Shell	1

- 1: Assy.
 2: Series No.
 3: Contact No.
 4: Contact No.
 5: Color
 6: Contact No.
 7: Contact No.
 8: Contact No.
 9: Contact No.
 10: Contact No.
 11: Contact No.
 12: Contact No.
 13: Contact No.
 14: Contact No.
 15: Contact No.
 16: Contact No.
 17: Contact No.
 18: Contact No.
 19: Contact No.
 20: Contact No.
 21: Contact No.
 22: Contact No.
 23: Contact No.
 24: Contact No.
 25: Contact No.
 26: Contact No.
 27: Contact No.
 28: Contact No.
 29: Contact No.
 30: Contact No.
 31: Contact No.
 32: Contact No.
 33: Contact No.
 34: Contact No.
 35: Contact No.
 36: Contact No.
 37: Contact No.
 38: Contact No.
 39: Contact No.
 40: Contact No.
 41: Contact No.
 42: Contact No.
 43: Contact No.
 44: Contact No.
 45: Contact No.
 46: Contact No.
 47: Contact No.
 48: Contact No.
 49: Contact No.
 50: Contact No.
 51: Contact No.
 52: Contact No.
 53: Contact No.
 54: Contact No.
 55: Contact No.
 56: Contact No.
 57: Contact No.
 58: Contact No.
 59: Contact No.
 60: Contact No.
 61: Contact No.
 62: Contact No.
 63: Contact No.
 64: Contact No.
 65: Contact No.
 66: Contact No.
 67: Contact No.
 68: Contact No.
 69: Contact No.
 70: Contact No.
 71: Contact No.
 72: Contact No.
 73: Contact No.
 74: Contact No.
 75: Contact No.
 76: Contact No.
 77: Contact No.
 78: Contact No.
 79: Contact No.
 80: Contact No.
 81: Contact No.
 82: Contact No.
 83: Contact No.
 84: Contact No.
 85: Contact No.
 86: Contact No.
 87: Contact No.
 88: Contact No.
 89: Contact No.
 90: Contact No.
 91: Contact No.
 92: Contact No.
 93: Contact No.
 94: Contact No.
 95: Contact No.
 96: Contact No.
 97: Contact No.
 98: Contact No.
 99: Contact No.
 100: Contact No.

Order Information:
 1-MD05SMXXX-01

X-ON Electronics

Largest Supplier of Electrical and Electronic Components

Click to view similar products for [USB Connectors](#) category:

Click to view products by [Jing](#) manufacturer:

Other Similar products are found below :

[10033527-N3112MLF](#) [17-210561](#) [GMCB05B11124H1EU](#) [17-200931](#) [65-647-8-BK-BU](#) [690-010-295-484](#) [73725-1191BLF](#) [950](#) [E8144-B01021-L](#) [A-USB A-LP-SMT-C](#) [A-USB B-TOP-C](#) [MUSBA511N5](#) [MUSBB15131](#) [MUSBC111M5](#) [MUSBD11135](#) [217450-1](#) [CA 6 W LD](#)
[896-30-004-00-000000](#) [KUSBVX-BS1N-W30](#) [KUSBX-AP-KIT-SCBLK](#) [KUSBX-AS2N-W](#) [KUSBX-SMT2AP1S-W](#) [KUSBX-SMTAS1NBTR](#) [KUSBX-SMTBS1NBTR](#) [30-498-6](#) [SK-60A-2](#) [17-200261](#) [17-210051](#) [1734082-1](#) [FK-37-32SL](#) [30-1574](#) [30-470](#) [30-489](#) [30-541](#) [30-572-3](#) [30-9503](#) [M9177/2-1](#) [MAB 5 S](#) [MIKROE-1451](#) [33UBBR-04SW11R](#) [USBFTV2PEM2G](#) [USBFTVC6ZN](#) [USBFTVSCCG](#)
[KUSBX-AS2N-W30](#) [KUSBX-SLAS1N-W](#) [KUSBX-SLAS1N-W30](#) [1-1734084-2](#) [E8110-001-01](#) [MUSBC11135](#) [NK-27-32SL](#)