

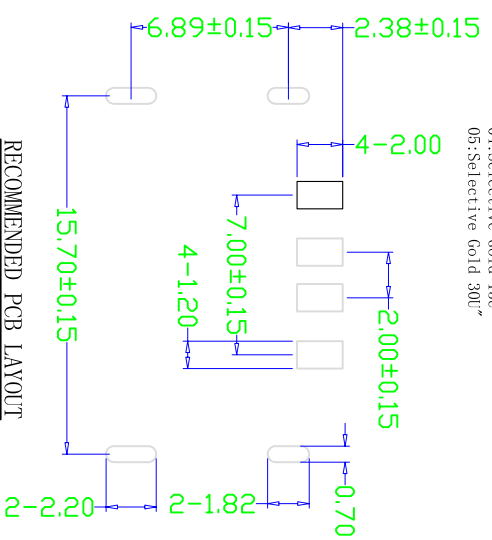
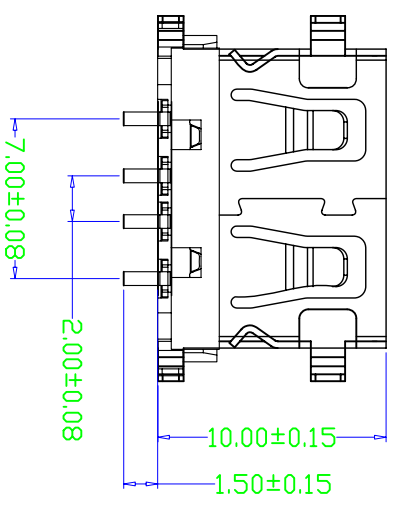
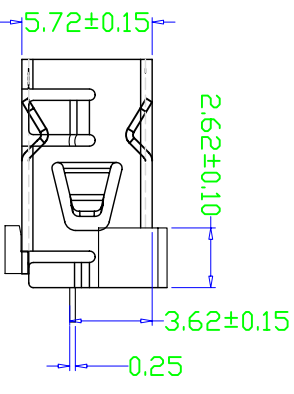
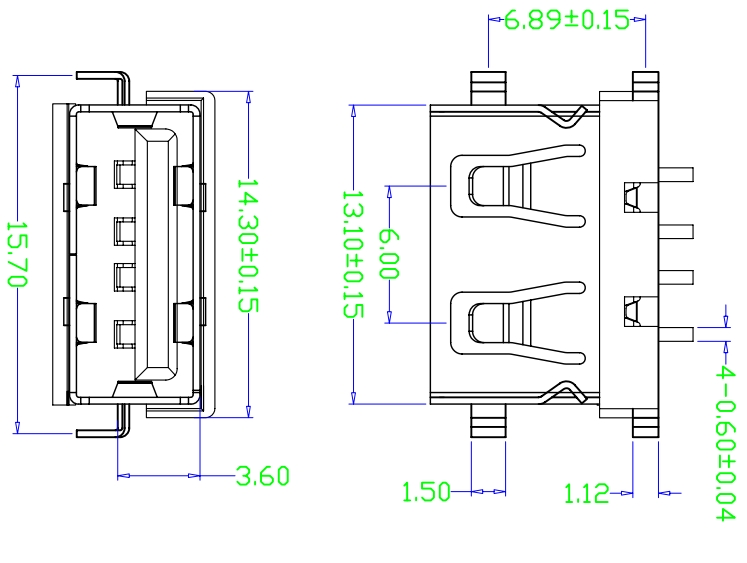
MAPX	MODIFICATION	DATE
------	--------------	------

NOTE:
1. Material:
Housing: Thermoplastics, UL94V-0 (ROHS, HF)
Contact: Phosphor Bronze C5191-EH/C2680-EH, T=0.25mm
Shell: COPPER ALLOY T=0.30mm

2. FINISH:
Contact: 15u" Gold Plated on Contact Area,
80u" Min. Tin Plated on Solder Area,
50u" Min. Nickel Underplating Over All.
Shell: 50u" Min. Nickel Underplating Over All.

3. Specification:
3.1: Rating:
Rated voltage 500V AC/DC. Rated current: 2 A Max.
3.2: Electrical:
Insulation Resistance(EIA-364-21):
1000MΩ Min. at 500V/DC for 1minute.
Contract Resistance(EIA-364-23):
30 mΩ Max. at 20mV Max, 50mA

Dielectric Withstanding Voltage(EIA-364-20):
No discharge, Flashover or breakdown at 500V/AC 1Minute
4. Plug extraction force shall be between 1.0kgf and 2.00kgf
5. Contact finish:
01:Selective Gold Flash
02:Selective Gold 3u"
03:Selective Gold 5u"
04:Selective Gold 15u"
05:Selective Gold 30u"



RECOMMENDED PCB LAYOUT
GENERAL TOLERANCES: ±0.05

产品图

深圳市精拓金电子有限公司

公差一览表		单位	MM	制图	Z-Y-B	制料号	
TOLERANCE UNLESS OTHERWISE		UNITS		DRAWING		PRODUCT PART NO.	
X ±0.15	X ±5°	SCALE	1:1	审核		PRODUCT NO.	USB A/F=10.0无边四脚沉板
X ±0.10	X ±2°	DATE	2014.11.1	核准		VIEW	
XX ±0.05	XX ±1°			APPD		VER	版本
XXX ±0.03	XXX ±0.5°						AD

G 1 2 3 4 5 6 7 8 9 10 G

F

E

D

C

B

A

X-ON Electronics

Largest Supplier of Electrical and Electronic Components

Click to view similar products for [USB Connectors](#) category:

Click to view products by [Jing](#) manufacturer:

Other Similar products are found below :

[10033527-N3112MLF](#) [17-210561](#) [GMCB05B11124H1EU](#) [17-200931](#) [65-647-8-BK-BU](#) [690-010-295-484](#) [73725-1191BLF](#) [950](#) [E8144-B01021-L](#) [A-USB A-LP-SMT-C](#) [A-USB B-TOP-C](#) [MUSBA511N5](#) [MUSBB15131](#) [MUSBC111M5](#) [MUSBD11135](#) [217450-1](#) [CA 6 W LD](#)
[896-30-004-00-000000](#) [KUSBVX-BS1N-W30](#) [KUSBX-AP-KIT-SCBLK](#) [KUSBX-AS2N-W](#) [KUSBX-SMT2AP1S-W](#) [KUSBX-SMTAS1NBTR](#) [KUSBX-SMTBS1NBTR](#) [30-498-6](#) [SK-60A-2](#) [17-200261](#) [17-210051](#) [1734082-1](#) [FK-37-32SL](#) [30-1574](#) [30-470](#) [30-489](#) [30-541](#) [30-572-3](#) [30-9503](#) [M9177/2-1](#) [MAB 5 S](#) [MIKROE-1451](#) [33UBBR-04SW11R](#) [USBFTV2PEM2G](#) [USBFTVC6ZN](#) [USBFTVSCCG](#)
[KUSBX-AS2N-W30](#) [KUSBX-SLAS1N-W](#) [KUSBX-SLAS1N-W30](#) [1-1734084-2](#) [E8110-001-01](#) [MUSBC11135](#) [NK-27-32SL](#)