

NOTE:
1. Material:
Housing: Thermoplastics, UL94V-0 (ROHS, HF)
Contact: Phosphor Bronze C5191-EH/C2680-EH, T=0.25mm
Shell: COPPER ALLOY T=0.30mm

2. FINISH:
Contact: 15u" Gold Plated on Contact Area,
80u" Min. Tin Plated on Solder Area,
50u" Min. Nickel Underplating Over All.
Shell: 50u" Min. Nickel Underplating Over All.

3. Specification:
3.1: Rating:
Rated voltage 500V AC/DC. Rated current: 2 A Max.
3.2: Electrical:
Insulation Resistance(EIA-364-21):
1000M Ω Min. at 500V/DC for 1Minute.
Contact Resistance(EIA-364-23):
30 m Ω Max. at 20mV Max, 50mA
Dielectric Withstanding Voltage(EIA-364-20):
No discharge, Flashover or breakdown at 500V/AC 1Minute

4. Plug extraction force shall be between 1.0kgf and 2.00kgf
5. Contact finish:
01: Selective Gold Flash
02: Selective Gold 1U"
03: Selective Gold 3U"
04: Selective Gold 5U"
05: Selective Gold 15U"
06: Selective Gold 30U"

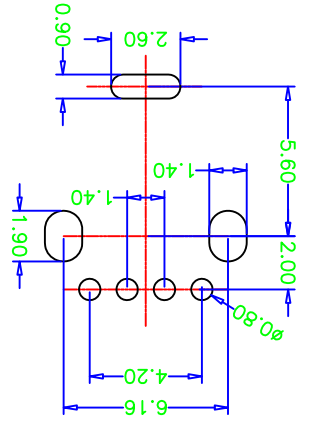
产品图
公差一览表
PRODUCT CHART DWG

TOLERANCE UNLESS OTHERWISE

XXX	±0.25	X	±5.0
XX	±0.15	X	±2.0
.XX	±1.0	X	±1.0
.XXX	±0.50		

DATE	2012.03.10	日期	2012.03.10
SCALE	1:1	比例	1:1
UNITS	MM	单位	MM
DRAWING	Z-Y-B	制图	Z-Y-B
CHD		审核	
APPD		核准	
VIEW	角法	角法	
PRODUCT PART NO.		制图料号	
PRODUCT NO.		产品名称	USB A/P侧立短体 Y型脚有卷边 (弯脚 L=14.0)
REV		版本	
			A0

RECOMMENDED PCB LAYOUT
GENERAL TOLERANCES: ±0.05



X-ON Electronics

Largest Supplier of Electrical and Electronic Components

Click to view similar products for [USB Connectors](#) category:

Click to view products by [Jing](#) manufacturer:

Other Similar products are found below :

[10033527-N3112MLF](#) [17-210561](#) [GMCB05B11124H1EU](#) [17-200931](#) [65-647-8-BK-BU](#) [690-010-295-484](#) [73725-1191BLF](#) [950](#) [E8144-B01021-L](#) [A-USB A-LP-SMT-C](#) [A-USB B-TOP-C](#) [MUSBA511N5](#) [MUSBB15131](#) [MUSBC111M5](#) [MUSBD11135](#) [217450-1](#) [CA 6 W LD](#) [896-30-004-00-000000](#) [KUSBVX-BS1N-W30](#) [KUSBX-AP-KIT-SCBLK](#) [KUSBX-AS2N-W](#) [KUSBX-SMT2AP1S-W](#) [KUSBX-SMTAS1NBTR](#) [KUSBX-SMTBS1NBTR](#) [30-498-6](#) [SK-60A-2](#) [17-200261](#) [17-210051](#) [1734082-1](#) [FK-37-32SL](#) [30-1574](#) [30-470](#) [30-489](#) [30-541](#) [30-572-3](#) [30-9503](#) [M9177/2-1](#) [MAB 5 S](#) [MIKROE-1451](#) [33UBBR-04SW11R](#) [USBFTV2PEM2G](#) [USBFTVC6ZN](#) [USBFTVSCCG](#) [KUSBX-AS2N-W30](#) [KUSBX-SLAS1N-W](#) [KUSBX-SLAS1N-W30](#) [1-1734084-2](#) [E8110-001-01](#) [MUSBC11135](#) [NK-27-32SL](#)