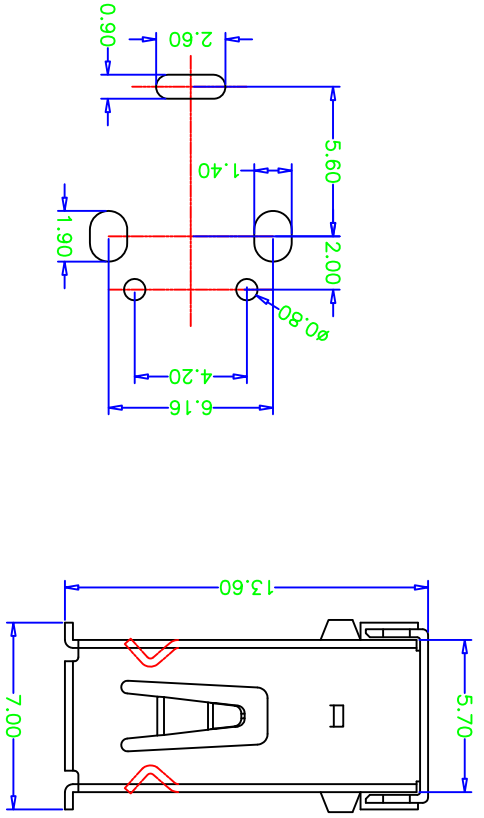
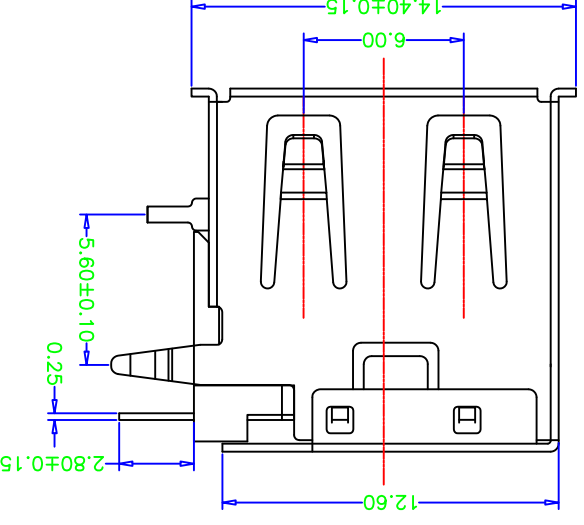
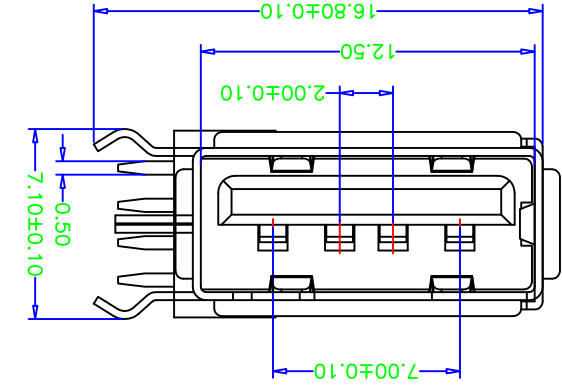
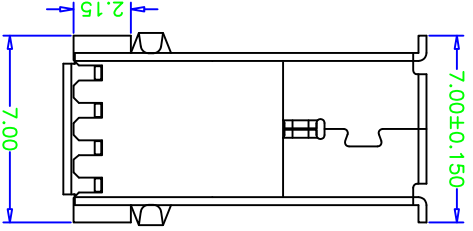


NOTE:
 1. Material:
 Housing: Thermoplastics, UL94V-0 (ROHS, HF)
 Contact: Phosphor Bronze C5191-EH/C2680-EH, T=0.25mm
 Shell: COPPER ALLOY T=0.30mm
 2. FINISH:
 Contact: 15u" Gold Plated on Contact Area,
 80u" Min. Tin Plated on Solder Area
 50u" Min. Nickel Underplating Over All.
 Shell: 50u" Min. Nickel Underplating Over All.
 3. Specification:
 3.1: Rating:
 Rated voltage 500V AC/DC. Rated current: 2 A Max.
 3.2: Electrical:
 Insulation Resistance(EIA-364-21):
 1000M Ω Min. at 500V/DC for 1Minute.
 Contact Resistance(EIA-364-23):
 30 m Ω Max. at 20mV Max, 50mA
 Dielectric Withstanding Voltage(EIA-364-20):
 No discharge, flashover or breakdown at 500V/AC 1Minute
 4. Plug extraction force shall be between 1.0kgf and 2.00kgf
 5. Contact finish:
 01:Selective Gold Flash
 02:Selective Gold 1U"
 03:Selective Gold 3U"
 04:Selective Gold 5U"
 05:Selective Gold 15U"
 06:Selective Gold 30U"



RECOMMENDED PCB LAYOUT
 GENERAL TOLERANCES: ± 0.05

REV	MODIFICATION	DATE

产品图
 PRODUCT CHART DWG

公差一览表
 TOLERANCE UNLESS OTHERWISE

单位	MM	制图	Z-Y-B	制图料号	
比例	1:1	审核		产品名称	USB A/P侧立短体 V型脚有卷边 (弯脚 L=13.6)
SCALE	1:1	CHKD		PRODUCT NO.	
日期	2012.03.10	核准		角注	
DATE	2012.03.10	APPD		VIEW	
XXX	± 0.10				
XXX	± 0.15				
XXX	± 1.0				
X	± 0.25				
X	± 2.0				
X	± 5.0				

X-ON Electronics

Largest Supplier of Electrical and Electronic Components

Click to view similar products for [USB Connectors](#) category:

Click to view products by [Jing](#) manufacturer:

Other Similar products are found below :

[10033527-N3112MLF](#) [17-210561](#) [GMCB05B11124H1EU](#) [17-200931](#) [65-647-8-BK-BU](#) [690-010-295-484](#) [73725-1191BLF](#) [950](#) [E8144-B01021-L](#) [A-USB A-LP-SMT-C](#) [A-USB B-TOP-C](#) [MUSBA511N5](#) [MUSBB15131](#) [MUSBC111M5](#) [MUSBD11135](#) [217450-1](#) [CA 6 W LD](#) [896-30-004-00-000000](#) [KUSBVX-BS1N-W30](#) [KUSBX-AP-KIT-SCBLK](#) [KUSBX-AS2N-W](#) [KUSBX-SMT2AP1S-W](#) [KUSBX-SMTAS1NBTR](#) [KUSBX-SMTBS1NBTR](#) [30-498-6](#) [SK-60A-2](#) [17-200261](#) [17-210051](#) [1734082-1](#) [FK-37-32SL](#) [30-1574](#) [30-470](#) [30-489](#) [30-541](#) [30-572-3](#) [30-9503](#) [M9177/2-1](#) [MAB 5 S](#) [MIKROE-1451](#) [33UBBR-04SW11R](#) [USBFTV2PEM2G](#) [USBFTVC6ZN](#) [USBFTVSCCG](#) [KUSBX-AS2N-W30](#) [KUSBX-SLAS1N-W](#) [KUSBX-SLAS1N-W30](#) [1-1734084-2](#) [E8110-001-01](#) [MUSBC11135](#) [NK-27-32SL](#)