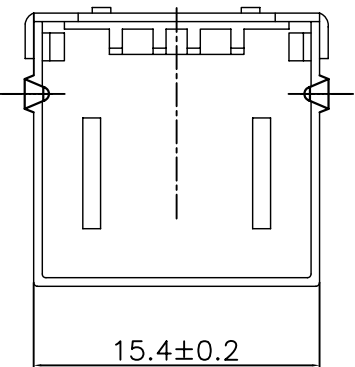
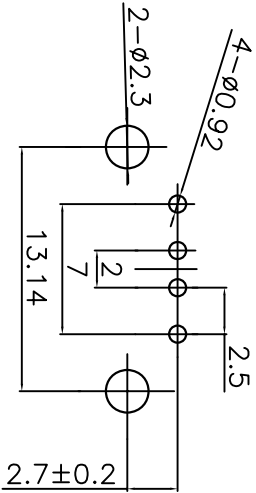
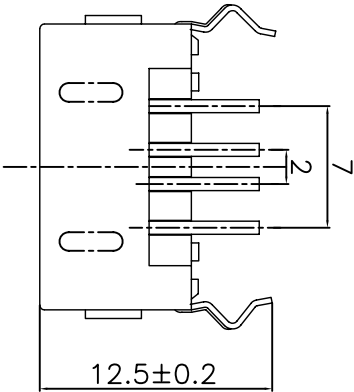
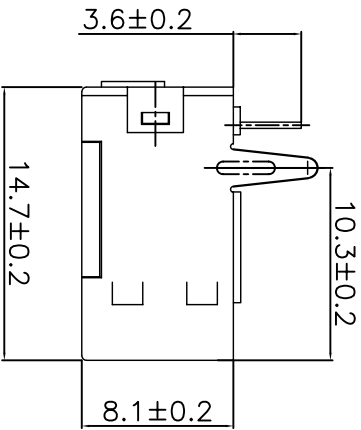
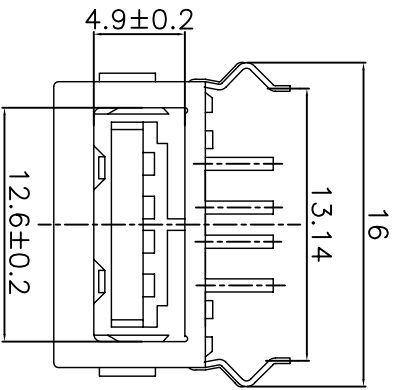




|     |             |        |        |      |
|-----|-------------|--------|--------|------|
| REV | DESCRIPTION | APPRO. | CHANGE | DATE |
| △   | 原始尺寸        | 李晴     | 01/16  |      |

受控文件



ShenZhenYaoShengTechnologyParameter  
 Specification  
 \*Electrical Characteristics  
 Contact Current Rating:1 Amperes.  
 Diection withstanding Voltage:AC 750V R.M.S  
 Insulation Resistance:1000MΩ Min  
 contact Resistance:30MΩ Max.  
 \*Environmental:  
 \*Mechanical Characteristics:  
 Mating Force:3.57Kg Max.  
 Umating Force:1.02Kg Min.  
 \*Material:  
 1.Housing:Thermoplastic UL 94V-0 Rated.  
 2.Contact:Copper Alloy(t=0.25mm).  
 3.Shell:Steel(t=0.30mm).  
 Ordering Information.

| NO. | DESCRIPTION | COLOR                                   |
|-----|-------------|---|
| 3   | SHELL       | BRASS t±0.4<br>Niελ Plated              |
| 2   | PIN         | Pho.Bronze<br>t±0.25<br>Gold/Tin Plated |
| 1   | Housing     | High Temp<br>UL 94V-0                   |

P.C.B. LAYOUT  
 \*\*\*\*\*

| QUALITY SYMBOLS | GENERAL TOLERANCES (UNLESS SPECIFIED) |      |        |      | SIGNATORY |  |
|-----------------|---------------------------------------|------|--------|------|-----------|--|
|                 | MM                                    | INCH | DRAW   | QING | DATE      |  |
| ∇               | .XX ±0.15                             | ∞    | LI     | QING | 01/16     |  |
| ∇               | .X ±0.20                              | ∞    | LI     | QING | 01/16     |  |
| ∇               | ∅0.50                                 | ∞    | CHECK  |      |           |  |
| ∇               | ANGULAR ∅0.10°                        |      | APPRO. |      |           |  |

|               |        |
|---------------|--------|
| PART NO.      |        |
| DWG NO.       |        |
| (OLD)PART NO. |        |
| SCALE         | 1:1    |
| UNIT:mm       | A4     |
| SHEET:        | 1 of 1 |

## X-ON Electronics

Largest Supplier of Electrical and Electronic Components

*Click to view similar products for [USB Connectors](#) category:*

*Click to view products by [Jing](#) manufacturer:*

Other Similar products are found below :

[10033527-N3112MLF](#) [17-210561](#) [GMCB05B11124H1EU](#) [17-200931](#) [65-647-8-BK-BU](#) [690-010-295-484](#) [73725-1191BLF](#) [950](#) [E8144-B01021-L](#) [A-USB A-LP-SMT-C](#) [A-USB B-TOP-C](#) [MUSBA511N5](#) [MUSBB15131](#) [MUSBC111M5](#) [MUSBD11135](#) [217450-1](#) [CA 6 W LD](#) [896-30-004-00-000000](#) [KUSBVX-BS1N-W30](#) [KUSBX-AP-KIT-SCBLK](#) [KUSBX-AS2N-W](#) [KUSBX-SMT2AP1S-W](#) [KUSBX-SMTAS1NBTR](#) [KUSBX-SMTBS1NBTR](#) [30-498-6](#) [SK-60A-2](#) [17-200261](#) [17-210051](#) [1734082-1](#) [FK-37-32SL](#) [30-1574](#) [30-470](#) [30-489](#) [30-541](#) [30-572-3](#) [30-9503](#) [M9177/2-1](#) [MAB 5 S](#) [MIKROE-1451](#) [33UBBR-04SW11R](#) [USBFTV2PEM2G](#) [USBFTVC6ZN](#) [USBFTVSCCG](#) [KUSBX-AS2N-W30](#) [KUSBX-SLAS1N-W](#) [KUSBX-SLAS1N-W30](#) [1-1734084-2](#) [E8110-001-01](#) [MUSBC11135](#) [NK-27-32SL](#)