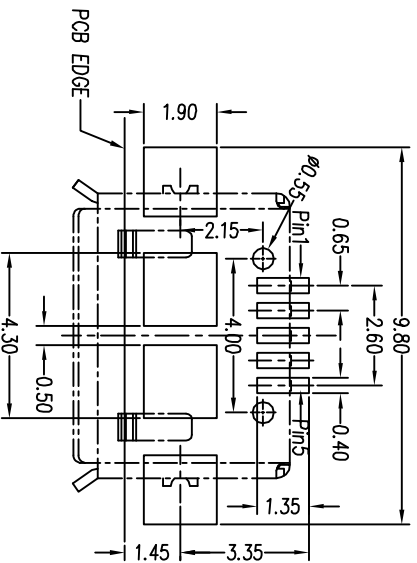
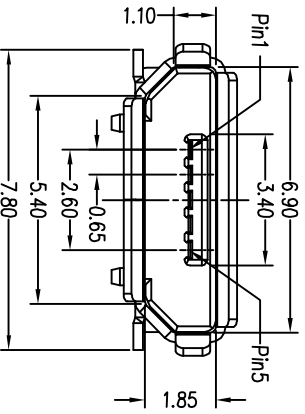
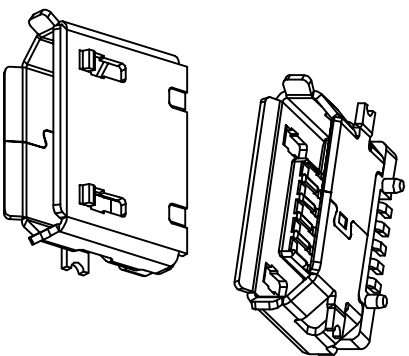
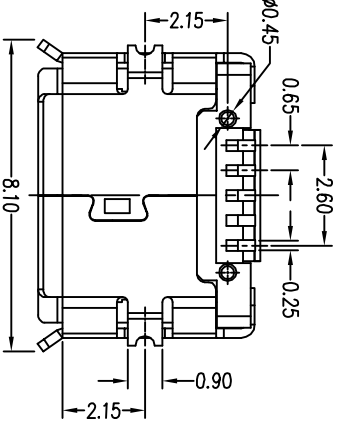
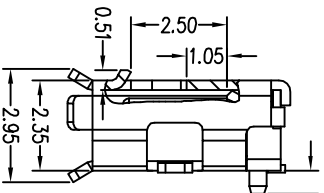
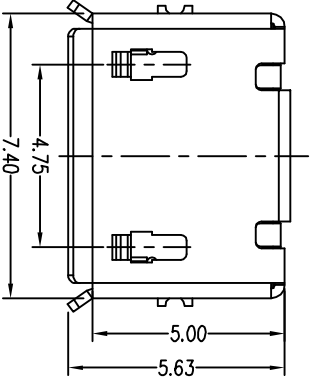
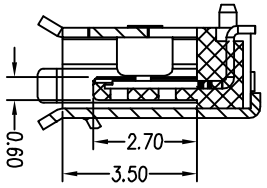
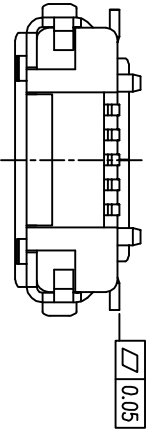


REV.	EQN NO	LOCATIONS	DESCRIPTION	DATE	REVISER	APPD



RECOMMENDED PCB LAYOUT

- Note:
- Material:
    - Housing: High temperature thermoplastic with g.f;UL94V-0
    - Contact: copper alloy,t=0.20mm
    - Shell: copper alloy,t=0.25mm
  - Specification:
    - Current rating: 1 A Max.
    - Dielectric withstanding voltage: 100 V(ac) for 1 min.
    - Contact resistance: 50 mΩ Max.
    - Insulation resistance: 100 MΩ Min.
    - Total mating force: 3.57 Kgf Max.
    - Total unmating force: 1.0 Kgf Min.0.81~2.05 Kgf Min.after 10000 insertion/extraction cycles
    - Temperature range: -30C~80C

Order Information:

1-MD055MXXX-01  
 ① ② ③ ④ ⑤ ⑥ ⑦ ⑧ ⑨

- |                |           |                    |                  |
|----------------|-----------|--------------------|------------------|
| 1: Assy.       | 5: Style  | 7: Contact plating | 8: Shell plating |
| 2: Series No.  | M: Smt    | 1: 1u"             | T: Tin           |
| 3: Contact No. | 6: Color  | 2: 3u"             | N: Nickel        |
| 4: P: Plug     | B: Black  | 3: 5u"             | A: Au plated all |
| 5: Socket      | W: White  | 4: 15u"            | B: None          |
|                | N: Nature | 5: 30u"            | ...              |

No.	Nome	Q'ty	Finish	UNIT:	SIZE:	COLOR:	DR:	DWG NO:	SCALE:	SHEET:	REV:
3	Shell	1	N/A	mm	A4	SEE NOTE	???	A055	1:1	2009/04/21	A
2	Contact	5	N/A	TOLERANCE UNSPECIFIED							
1	Housing	1	N/A	.x	±0.38	???	CHK:				
				.xx	±0.25		APP:				
				.xxx	±0.13						
				ANG.	±2°						

Micro usb 5s B Type Smt有標註  
CUSTOMER DRAWING



## X-ON Electronics

Largest Supplier of Electrical and Electronic Components

*Click to view similar products for [USB Connectors](#) category:*

*Click to view products by [Jing](#) manufacturer:*

Other Similar products are found below :

[10033527-N3112MLF](#) [17-210561](#) [GMCB05B11124H1EU](#) [17-200931](#) [65-647-8-BK-BU](#) [690-010-295-484](#) [73725-1191BLF](#) [950](#) [E8144-B01021-L](#) [A-USB A-LP-SMT-C](#) [A-USB B-TOP-C](#) [MUSBA511N5](#) [MUSBB15131](#) [MUSBC111M5](#) [MUSBD11135](#) [217450-1](#) [CA 6 W LD](#) [896-30-004-00-000000](#) [KUSBVX-BS1N-W30](#) [KUSBX-AP-KIT-SCBLK](#) [KUSBX-AS2N-W](#) [KUSBX-SMT2AP1S-W](#) [KUSBX-SMTAS1NBTR](#) [KUSBX-SMTBS1NBTR](#) [30-498-6](#) [SK-60A-2](#) [17-200261](#) [17-210051](#) [1734082-1](#) [FK-37-32SL](#) [30-1574](#) [30-470](#) [30-489](#) [30-541](#) [30-572-3](#) [30-9503](#) [M9177/2-1](#) [MAB 5 S](#) [MIKROE-1451](#) [33UBBR-04SW11R](#) [USBFTV2PEM2G](#) [USBFTVC6ZN](#) [USBFTVSCCG](#) [KUSBX-AS2N-W30](#) [KUSBX-SLAS1N-W](#) [KUSBX-SLAS1N-W30](#) [1-1734084-2](#) [E8110-001-01](#) [MUSBC11135](#) [NK-27-32SL](#)