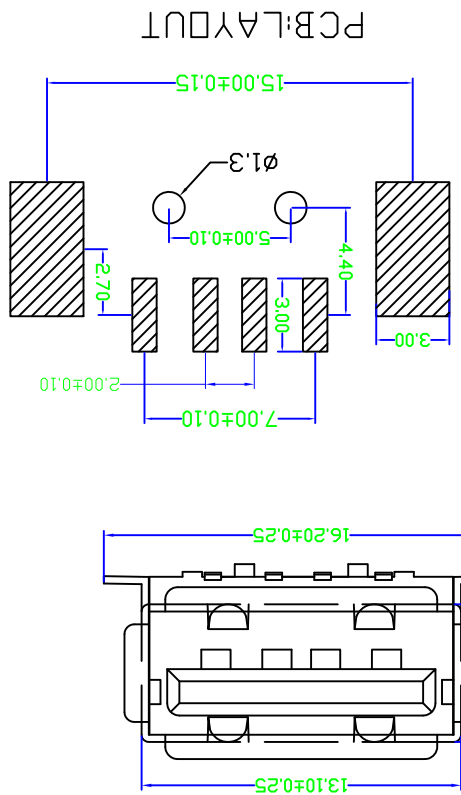


备注：侧弹分为外弹与内弹



PCB LAYOUT

公差一览表 TOLERANCE UNLESS OTHERWISE	
X	±0.25
X	±0.20
X	±0.15
.XXX	±0.10
.XXX	±0.5

产品图 PRODUCT CHART DWG	
--------------------------	--

单位	MM
制图	Z-Y-B
审核	
核准	
APPD	
日期	2014.10.20
比例	1:1
SCALE	
PRODUCT NO.	
产品名称	
PRODUCT PART NO.	
产品料号	

NOTES:
 Housing: Thermoplastics
 Contact: Copper Alloy
 Shell: Copper Alloy/Steel
 Voltage Current Rating: 1.5 AMP, 30V AC
 Insulation Resistance: 1000M Ω Min.
 Contact Resistance: 30 M Ω Max.
 Dielectric Withstanding Voltage: 500W AC
 Temperature Range: -35 $^{\circ}$ C to +85 $^{\circ}$ C
 Insulator color: Black/White
 Plastic material: BT/LCP/Others
 Shell finish: Nickel plated/Tin-Lead plated
 Mechanical:
 Mating Force: 3.5KG MAX
 Umating Force: 0.7 KG MIN.
 Contact finish:
 01: Selective Gold Flash
 02: Selective Gold 3U
 03: Selective Gold 5U
 04: Selective Gold 15U
 05: Selective Gold 30U

目錄	MAPX	侧弹变更	2013.3.10
设置内容	MODIFICATION		DATE
日期	DATE		

产品图	PRODUCT CHART DWG
公差一览表	TOLERANCE UNLESS OTHERWISE
X	±0.25
X	±0.20
X	±0.15
.XXX	±0.10
.XXX	±0.5

产品图 PRODUCT CHART DWG	
--------------------------	--

单位	MM
制图	Z-Y-B
审核	
核准	
APPD	
日期	2014.10.20
比例	1:1
SCALE	
PRODUCT NO.	
产品名称	
PRODUCT PART NO.	
产品料号	

NOTES:
 Housing: Thermoplastics
 Contact: Copper Alloy
 Shell: Copper Alloy/Steel
 Voltage Current Rating: 1.5 AMP, 30V AC
 Insulation Resistance: 1000M Ω Min.
 Contact Resistance: 30 M Ω Max.
 Dielectric Withstanding Voltage: 500W AC
 Temperature Range: -35 $^{\circ}$ C to +85 $^{\circ}$ C
 Insulator color: Black/White
 Plastic material: BT/LCP/Others
 Shell finish: Nickel plated/Tin-Lead plated
 Mechanical:
 Mating Force: 3.5KG MAX
 Umating Force: 0.7 KG MIN.
 Contact finish:
 01: Selective Gold Flash
 02: Selective Gold 3U
 03: Selective Gold 5U
 04: Selective Gold 15U
 05: Selective Gold 30U

目錄	MAPX	侧弹变更	2013.3.10
设置内容	MODIFICATION		DATE
日期	DATE		

产品图	PRODUCT CHART DWG
公差一览表	TOLERANCE UNLESS OTHERWISE
X	±0.25
X	±0.20
X	±0.15
.XXX	±0.10
.XXX	±0.5

产品图 PRODUCT CHART DWG	
--------------------------	--

单位	MM
制图	Z-Y-B
审核	
核准	
APPD	
日期	2014.10.20
比例	1:1
SCALE	
PRODUCT NO.	
产品名称	
PRODUCT PART NO.	
产品料号	

X-ON Electronics

Largest Supplier of Electrical and Electronic Components

Click to view similar products for [USB Connectors](#) category:

Click to view products by [Jing](#) manufacturer:

Other Similar products are found below :

[10033527-N3112MLF](#) [17-210561](#) [GMCB05B11124H1EU](#) [17-200931](#) [65-647-8-BK-BU](#) [690-010-295-484](#) [73725-1191BLF](#) [950](#) [E8144-B01021-L](#) [A-USB A-LP-SMT-C](#) [A-USB B-TOP-C](#) [MUSBA511N5](#) [MUSBB15131](#) [MUSBC111M5](#) [MUSBD11135](#) [217450-1](#) [CA 6 W LD](#)
[896-30-004-00-000000](#) [KUSBVX-BS1N-W30](#) [KUSBX-AP-KIT-SCBLK](#) [KUSBX-AS2N-W](#) [KUSBX-SMT2AP1S-W](#) [KUSBX-SMTAS1NBTR](#) [KUSBX-SMTBS1NBTR](#) [30-498-6](#) [SK-60A-2](#) [17-200261](#) [17-210051](#) [1734082-1](#) [FK-37-32SL](#) [30-1574](#) [30-470](#) [30-489](#) [30-541](#) [30-572-3](#) [30-9503](#) [M9177/2-1](#) [MAB 5 S](#) [MIKROE-1451](#) [33UBBR-04SW11R](#) [USBFTV2PEM2G](#) [USBFTVC6ZN](#) [USBFTVSCCG](#)
[KUSBX-AS2N-W30](#) [KUSBX-SLAS1N-W](#) [KUSBX-SLAS1N-W30](#) [1-1734084-2](#) [E8110-001-01](#) [MUSBC11135](#) [NK-27-32SL](#)