

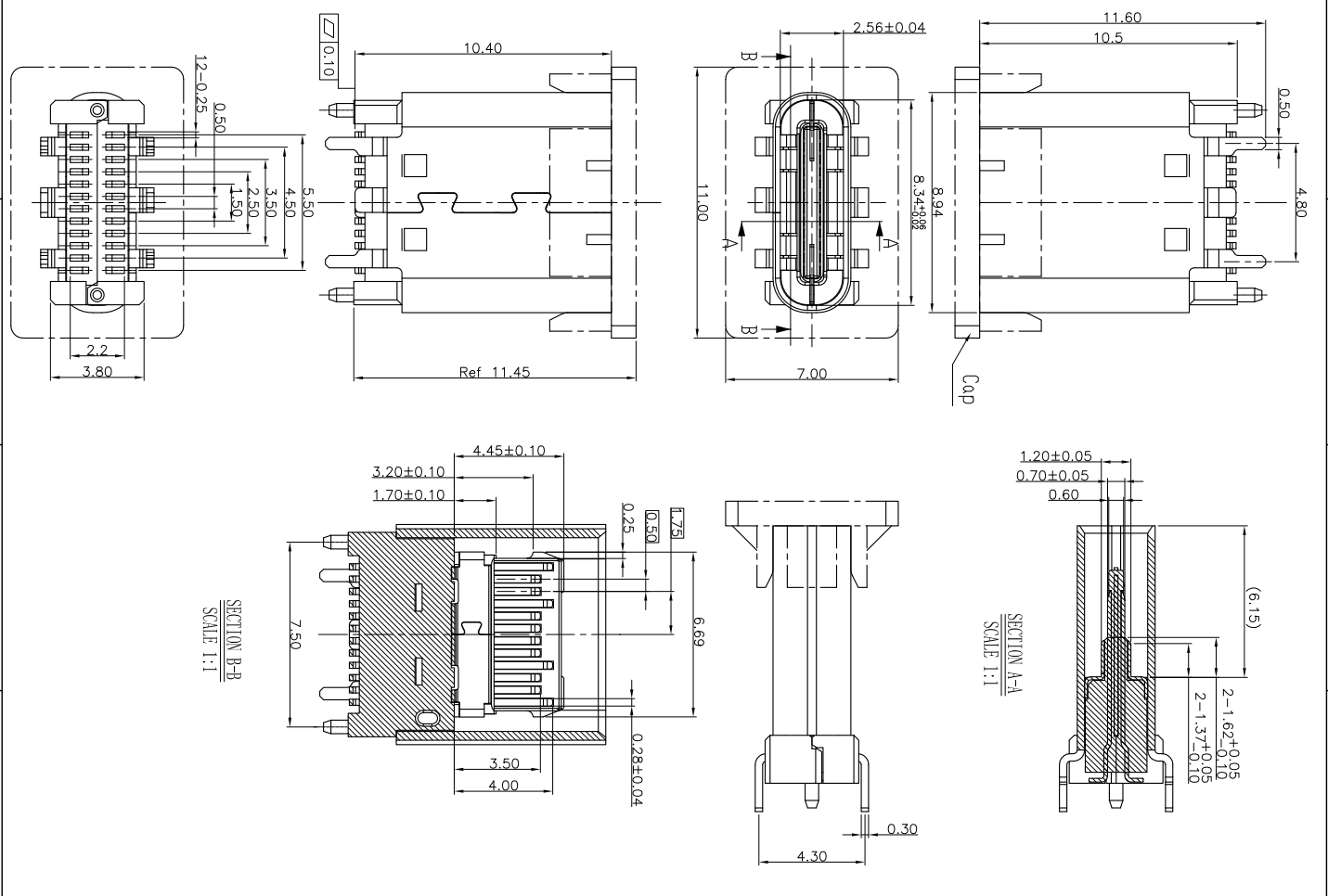
REV.	ECN. NO.	NAME	DATE
X2	NEW	CLY	2015/06/10

NOTES:
 1. MATERIAL:
 MOLDING: LCP UL94 V-0
 CONTACT: COPPER ALLOY.
 GOLD PLATED 30u" Min ON CONTACT AREA, 100u" Min ON CONTACT AREA, 100u" Min ON SOLDER AREA,
 Min TIN (LEAD FREE) ON SOLDER AREA,
 SHELL: SUS304-H,T=0.30±0.03mm
 50u" NICKEL PLATING OVER ALL.
 SHILD: SUS304-H,T=0.12±0.03mm

2. MECHANICAL:
 INSERTION: 5~20N.
 EXTRACTION: 8~20N.
 DURABILITY: 10000 CYCLES

3. ELECTRICAL:
 CURRENT: 5A MIN FOR VBUS;
 0.25A MIN FOR OTHER.
 VOLTAGE: 5VAC MAX
 WITHSTANDING VOLTAGE: 100V AC.
 CONTACT RESISTANCE: 40mΩ MAX.
 INSULATION RESISTANCE: 100MΩ MIN.

4. ENVIRONMENTAL
 TEMPERATURE RANGE -55°C ~ +85°C



SECTION B-B
SCALE 1:1

SECTION A-A
SCALE 1:1

DRAWN BY:		SIZE: A4	UNIT: mm.	PART NO. FUCR-244X-04XX
CHECKED BY:		SCALE: 1:1	PROJECTION	REV.: X2
APPROVED BY:		DWG. PATH		SHEET: 1/4
TOLERANCE (UNSPECIFIED) ±0.50 ±0.38 ±0.25 ±0.10 ±3.00° MANUFACTURING COPY				
TITLE: USB 3.1 C TYPE FEMALE STRAIGHT CONNECTOR				

RoHS Compliant

FUC - R - 24 4 X - 04 - X - X
 CUSB C TYPE
 R: Receptacle
 PIN NO: 04-24
 端子形态:
 1: RIGHT ANGLE DIP
 2: STRAIGHT DIP
 3: RIGHT ANGLE SMT
 4: STRAIGHT SMT
 5: Split-tek(夹板式)
 K: GOLD FLASH PLATING ON CONTACT AREA
 Matte Tin PLATING ON SOLDER AREA
 M: 5u" GOLD PLATING ON CONTACT AREA
 Matte Tin PLATING ON SOLDER AREA
 P: 15u" GOLD PLATING ON CONTACT AREA
 Matte Tin PLATING ON SOLDER AREA
 U: 30u" GOLD PLATING ON CONTACT AREA
 Matte Tin PLATING ON SOLDER AREA
 包装:
 T: TAP(盒子)
 U: TUBE(管)
 R: TAPE&REEL(卷)
 颜色:
 B: BLACK
 N: NATURE
 Series No.

X-ON Electronics

Largest Supplier of Electrical and Electronic Components

Click to view similar products for [USB Connectors](#) category:

Click to view products by [Jing](#) manufacturer:

Other Similar products are found below :

[10033527-N3112MLF](#) [17-210561](#) [GMCB05B11124H1EU](#) [17-200931](#) [65-647-8-BK-BU](#) [690-010-295-484](#) [73725-1191BLF](#) [950](#) [E8144-B01021-L](#) [A-USB A-LP-SMT-C](#) [A-USB B-TOP-C](#) [MUSBA511N5](#) [MUSBB15131](#) [MUSBC111M5](#) [MUSBD11135](#) [217450-1](#) [CA 6 W LD](#) [896-30-004-00-000000](#) [KUSBVX-BS1N-W30](#) [KUSBX-AP-KIT-SCBLK](#) [KUSBX-AS2N-W](#) [KUSBX-SMT2AP1S-W](#) [KUSBX-SMTAS1NBTR](#) [KUSBX-SMTBS1NBTR](#) [30-498-6](#) [SK-60A-2](#) [17-200261](#) [17-210051](#) [1734082-1](#) [FK-37-32SL](#) [30-1574](#) [30-470](#) [30-489](#) [30-541](#) [30-572-3](#) [30-9503](#) [M9177/2-1](#) [MAB 5 S](#) [MIKROE-1451](#) [33UBBR-04SW11R](#) [USBFTV2PEM2G](#) [USBFTVC6ZN](#) [USBFTVSCCG](#) [KUSBX-AS2N-W30](#) [KUSBX-SLAS1N-W](#) [KUSBX-SLAS1N-W30](#) [1-1734084-2](#) [E8110-001-01](#) [MUSBC11135](#) [NK-27-32SL](#)