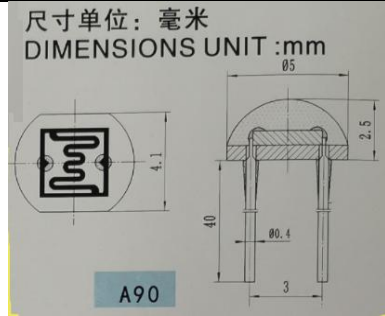


FEATURES

- Miniature open frame package
- Epoxy coated
- Moisture resistant
- Spectral response similar to the human eye
- Applications include dusk-dawn lighting control

LIGHT DEPENDENT RESISTOR



Dimensions in millimetres

SPECIFICATION AND PERFORMANCE

Model	Vmax (VDC)	Pmax (mW)	Ambient temp(°C)	Spectral peak (nm)	Light Resistance at 10Lux (KΩ)	Dark Resistance (MΩ)	Gamma a value at 100-10Lux	Response Time (ms)	
								Rise Time	Decay time
A906014	150	90	-30~+70	600	77-340	5	0.85	30	30

测试条件

- 亮电阻：用400-600Lux光照射60-90分钟后，在标准光源A(色温2854K)下，用10Lux光测量。
- 暗电阻：关闭10Lux光照后第10秒的电阻值（特别注明除外）。
- γ ：是指10Lux和100Lux光照下的标准值。

$$\gamma = \frac{\lg(R_{10}/R_{100})}{\lg(100/10)} = \lg(R_{10}/R_{100})$$
R10、R100分别为10Lux和100Lux照度下的电阻值。
 γ 的公差为±0.15。
- 最大功率损耗：环境温度为25℃时的最大功率。
- 最大外加电压：在黑暗中可连续施加给元件的最大电压。

焊接条件

- 焊接温度：小于260℃
- 焊接时间：不大于3秒
- 焊接距离（距离基板底部）：大于3mm

注：

- 本规格书所列型号为常规型号，可根据客户需求特别定制。
- 请在规格要求范围内使用，严禁超负荷使用。

Measuring Conditions

- Light resistance: Measured at 10 Lux with standard light A (2854K color temperature) and 60-90minutes illumination at 400-600 Lux prior testing.
- Dark Resistance: Measured 10 seconds after closed 10 lux (The special notes are not included).
- Gamma Characteristic: Between 10 lux and 100 lux and given by

$$\gamma = \frac{\lg(R_{10}/R_{100})}{\lg(100/10)} = \lg(R_{10}/R_{100})$$
R10、R100 Cell resistance at 10 lux and 100 lux.
The error of γ is ±0.15
- P max: Max. Power dissipation at ambient temperature of 25 °C.
- V max: Max. Voltage in darkness that may be applied to the cell continuously.

Soldering condition requirements:

- temperature:less than 260
- Time:equal or less than 3 seconds
- Distance from case:more than 3mm

Notes :

- Here listed types are common ones and customized selections available on request.
- Please use it within the specifications requirements.No overload is allowed.

X-ON Electronics

Largest Supplier of Electrical and Electronic Components

Click to view similar products for [Adafruit Accessories](#) category:

Click to view products by [Jing Chuang](#) manufacturer:

Other Similar products are found below :

[3015](#) [3209](#) [2998](#) [3561](#) [2974](#) [3182](#) [3290](#) [2755](#) [3560](#) [3562](#) [2503](#) [3548](#) [3011](#) [3597](#) [3048](#) [2776](#) [3299](#) [2973](#) [2922](#) [2958](#) [2860](#) [2836](#) [3558](#)
[2686](#) [2968](#) [2972](#) [2969](#) [2871](#) [2851](#) [2873](#) [2895](#) [3610](#) [2939](#) [2698](#) [3568](#) [2869](#) [2866](#) [3551](#) [2858](#) [2855](#) [3590](#) [3447](#) [3581](#) [3353](#) [2744](#) [3585](#)
[3584](#) [3552](#) [3484](#) [2865](#)