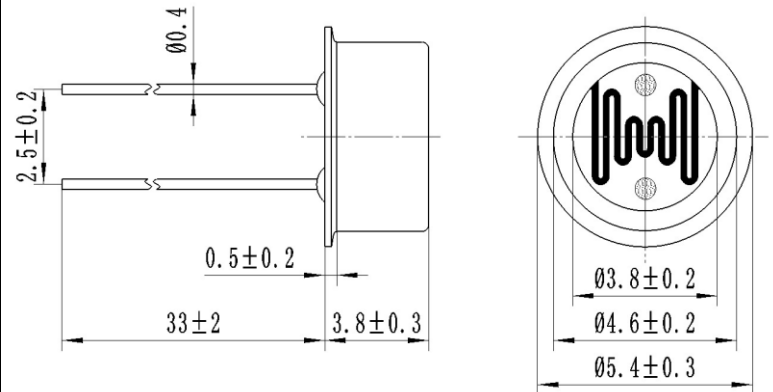




### FEATURES

- Miniature open frame package
- Epoxy coated
- Moisture resistant
- Spectral response similar to the human eye
- Applications include dusk-dawn lighting control

### LIGHT DEPENDENT RESISTOR



Dimensions in millimetres

### SPECIFICATION AND PERFORMANCE

Model	Vmax (VDC)	Pmax (mW)	Ambient temp(°C)	Spectral peak (nm)	Light Resistance at 10Lux (KΩ)	Dark Resistance (MΩ)	Gamma value at 100-10Lux	Response Time (ms)	
								Rise Time	Decay time
GL4520F	150	50	-30~+70	540	16-50	2	0.75	30	30

### Measuring Conditions

#### 1. Light resistance:

Measured at 10 Lux with standard light A (2854K color temperature) and 2hr illumination at 400-600 lux prior to testing.

#### 2. Dark Resistance:

Measured 10 seconds after closed 10 lux.

#### 3. Gamma Characteristic:

Between 10 lux and 100 lux and given by  $\gamma = \lg(R_{10}/R_{100})$

R<sub>10</sub>、R<sub>100</sub> Cell resistance at 10 lux and 100 lux.

The error of  $\gamma$  is  $\pm 0.1$ .

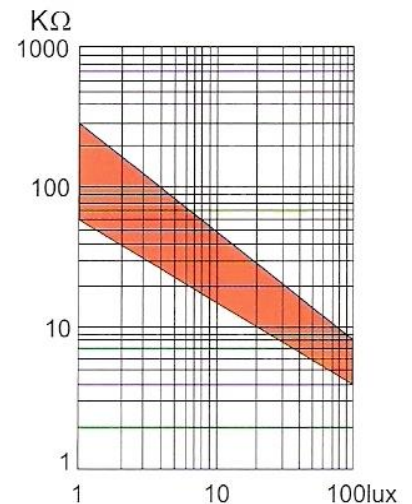
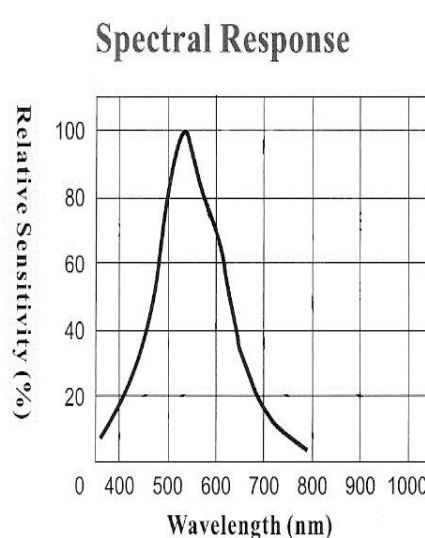
#### 4. Pmax:

Max. power dissipation at ambient temperature of 25 °C.

#### 5. Vmax:

Max. voltage in darkness that may be applied to the cell continuously.

### Spectral Response



## X-ON Electronics

Largest Supplier of Electrical and Electronic Components

*Click to view similar products for [Adafruit Accessories](#) category:*

*Click to view products by [Jing Chuang](#) manufacturer:*

Other Similar products are found below :

[3015](#) [3209](#) [2998](#) [3561](#) [2974](#) [3182](#) [3290](#) [2755](#) [3560](#) [3562](#) [2503](#) [3548](#) [3011](#) [3597](#) [3048](#) [2776](#) [3299](#) [2973](#) [2922](#) [2958](#) [2860](#) [2836](#) [3558](#)  
[2686](#) [2968](#) [2972](#) [2969](#) [2871](#) [2851](#) [2873](#) [2895](#) [3610](#) [2939](#) [2698](#) [3568](#) [2869](#) [2866](#) [3551](#) [2858](#) [2855](#) [3590](#) [3447](#) [3581](#) [3353](#) [2744](#) [3585](#)  
[3584](#) [3552](#) [3484](#) [2865](#)