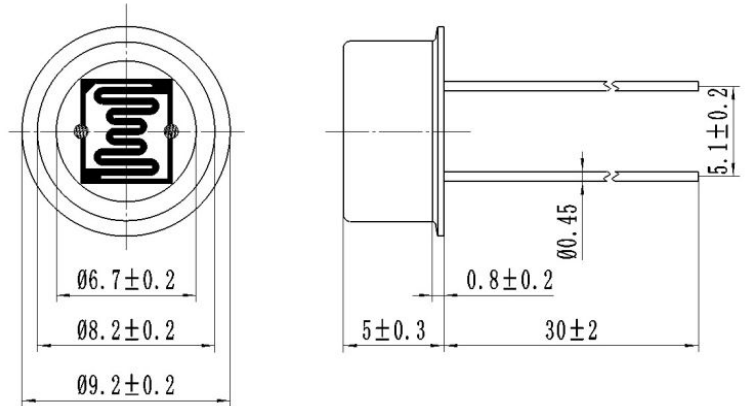




**FEATURES**

- Miniature open frame package
- Epoxy coated
- Moisture resistant
- Spectral response similar to the human eye
- Applications include dusk-dawn lighting control

**LIGHT DEPENDENT RESISTOR**



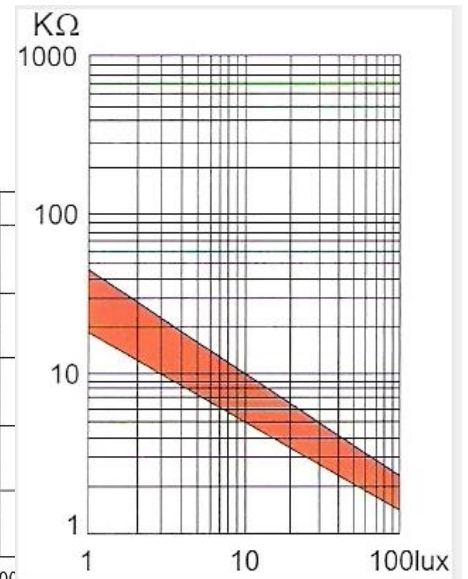
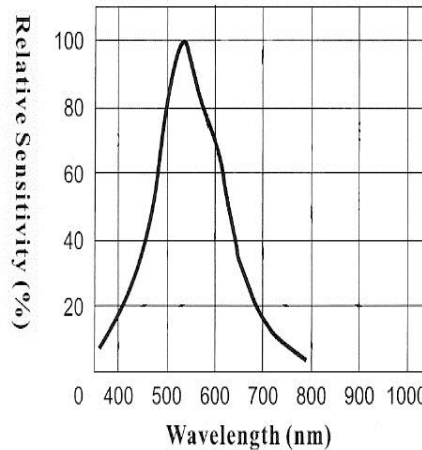
**SPECIFICATION AND PERFORMANCE**

Model	Vmax (VDC)	Pmax (mW)	Ambient temp(°C)	Spectral peak (nm)	Light Resistance at 10Lux (KΩ)	Dark Resistance (MΩ)	Gamma value at 100-10Lux	Response Time (ms)	
								Rise Time	Decay time
GL7501F	100	100	-30~+70	540	5-10	0.5	0.65	30	30

**Measuring Conditions**

- 1. Light resistance:**  
Measured at 10 Lux with standard light A (2854K color temperature) and 2hr illumination at 400-600 lux prior to testing.
- 2. Dark Resistance:**  
Measured 10 seconds after closed 10 lux.
- 3. Gamma Characteristic:**  
Between 10 lux and 100 lux and given by  $\gamma = \lg(R_{10}/R_{100})$   
R10、R100 Cell resistance at 10 lux and 100 lux.  
The error of  $\gamma$  is  $\pm 0.1$ .
- 4. Pmax:**  
Max. power dissipation at ambient temperature of 25 °C.
- 5. Vmax:**  
Max. voltage in darkness that may be applied to the cell continuously.

**Spectral Response**



## X-ON Electronics

Largest Supplier of Electrical and Electronic Components

*Click to view similar products for [Adafruit Accessories](#) category:*

*Click to view products by [Jing Chuang](#) manufacturer:*

Other Similar products are found below :

[3015](#) [3209](#) [2998](#) [3561](#) [2974](#) [3182](#) [3290](#) [2755](#) [3560](#) [3562](#) [2503](#) [3548](#) [3011](#) [3597](#) [3048](#) [2776](#) [3299](#) [2973](#) [2922](#) [2958](#) [2860](#) [2836](#) [3558](#)  
[2686](#) [2968](#) [2972](#) [2969](#) [2871](#) [2851](#) [2873](#) [2895](#) [3610](#) [2939](#) [2698](#) [3568](#) [2869](#) [2866](#) [3551](#) [2858](#) [2855](#) [3590](#) [3447](#) [3581](#) [3353](#) [2744](#) [3585](#)  
[3584](#) [3552](#) [3484](#) [2865](#)