

7A, 700V N-CHANNEL POWER MOSFET

ITO-220ABW

DESCRIPTION

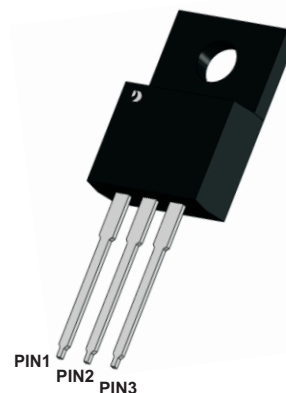
The F7N70 is a high voltage power MOSFET combines advanced trench MOSFET designed to have better characteristics, such as fast switching time, low gate charge, low on-state resistance and high rugged avalanche characteristics. This power MOSFET is usually used in high speed switching applications of switching power supplies and adaptors.

Features

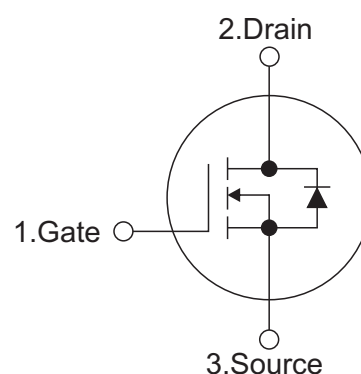
- $R_{DS(ON)} \leq 1.3 \Omega$ @ $V_{GS}=10V$, $I_D=3.5A$
- Fast switching capability
- Avalanche energy tested
- Improved dv/dt capability, high ruggedness

Mechanical data

- Case: ITO-220ABW
- Approx. Weight: 2.1g (0.07oz)
- Lead free finish, RoHS compliant
- Case Material: "Green" molding compound, UL flammability classification 94V-0, "Halogen-free".



SYMBOL



ABSOLUTE MAXIMUM RATINGS (TA=25°C, unless otherwise specified)

PARAMETER	Symbols	RATINGS	Units
Drain-Source Voltage	V_{DSS}	700	V
Gate-Source Voltage	V_{GSS}	± 30	V
Continuous Drain Current	I_D	$T_c=25^\circ C$	7
		$T_c=100^\circ C$	4.5
Pulsed Drain Current (Note 2)	I_{DM}	28	A
Avalanche Energy Single Pulsed (Note 3)	E_{AS}	281.3	mJ
Peak Diode Recovery dv/dt (Note 4)	dv/dt	50	V/ns
Power Dissipation	P_D	32	W
Operation Junction Temperature and Storage Temperature	T_j, T_{stg}	-55 ~ +150	$^\circ C$

Notes: 1. Absolute maximum ratings are those values beyond which the device could be permanently damaged.

Absolute maximum ratings are stress ratings only and functional device operation is not implied.

2. Repetitive Rating: Pulse width limited by maximum junction temperature.

3. $L = 10mH$, $I_{AS} = 7.5A$, $V_{DD} = 50V$, $R_G = 25 \Omega$, Starting $T_J = 25^\circ C$

4. $ISD \leq 7A$, $di/dt \leq 200A/\mu s$, $V_{DD} \leq BVDSS$, Starting $T_J = 25^\circ C$

THERMAL DATA

PARAMETER	Symbols	RATINGS	Units
Junction to Ambient	R_{thJA}	63	$^\circ C/W$
Junction to Case	R_{thJC}	2.99	$^\circ C/W$



ELECTRICAL CHARACTERISTICS (TA=25°C, unless otherwise specified)

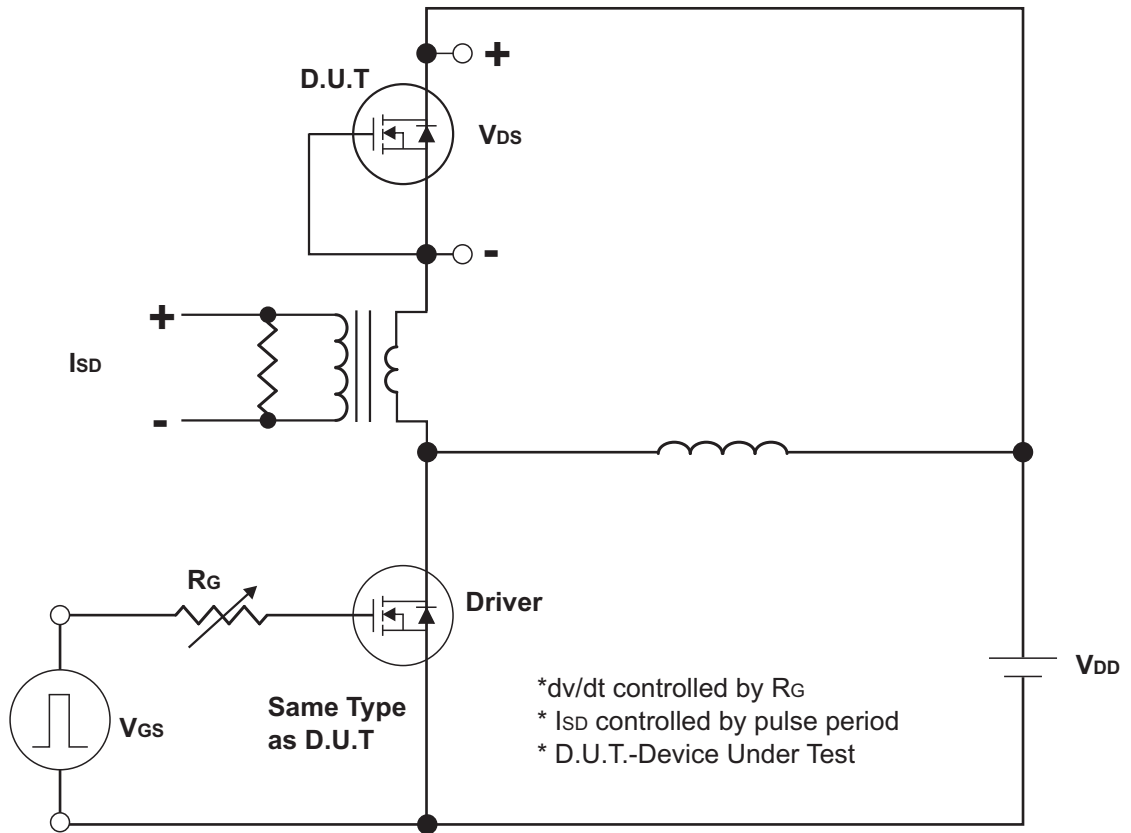
PARAMETER		Symbols	TEST CONDITIONS	Min	Typ	Max	Units
OFF CHARACTERISTICS							
Drain-Source Breakdown Voltage		BV_{DSS}	$V_{DS}=0V, I_D=250\mu A$	700			V
Drain-Source Leakage Current		I_{DSS}	$V_{DS}=700V, V_{GS}=0V$			10	μA
Gate- Source Leakage Current	Forward	I_{GSS}	$V_{GS}=30V, V_{DS}=0V$			100	nA
	Reverse		$V_{GS}=-30V, V_{DS}=0V$			-100	
ON CHARACTERISTICS							
Gate Threshold Voltage		$V_{GS(TH)}$	$V_{DS}=V_{GS}, I_D=250\mu A$	2.0		4.0	V
Static Drain-Source On-State Resistance		$R_{DS(ON)}$	$V_{GS}=10V, I_D=3.5A$			1.3	Ω
DYNAMIC CHARACTERISTICS							
Input Capacitance		C_{ISS}	$V_{DS}=25V,$ $V_{GS}=0V,$ $f=1.0MHz$		497		pF
Output Capacitance		C_{OSS}			27		pF
Reverse Transfer Capacitance		C_{RSS}			3.5		pF
SWITCHING CHARACTERISTICS							
Total Gate Charge (Note 1)		Q_G	$V_{DS}=560V, V_{GS}=10V,$ $I_D=7A, I_G=1mA$ (NOTE1,2)		18		nC
Gate-Source Charge		Q_{GS}			3.9		nC
Gate-Drain Charge		Q_{GD}			9.3		nC
Turn-On Delay Time (Note 1)		$t_{D(ON)}$	$V_{DS}=100V, V_{GS}=10V,$ $I_D=7A, R_G=25\Omega$ (NOTE1,2)		10		ns
Turn-On Rise Time		t_R			28		ns
Turn-Off Delay Time		$t_{D(OFF)}$			53		ns
Turn-Off Fall Time		t_F			26		ns
DRAIN-SOURCE DIODE CHARACTERISTICS AND MAXIMUM RATINGS							
Maximum Body-Diode Continuous Current		I_S				7	A
Maximum Body-Diode Pulsed Current		I_{SM}				28	A
Drain-Source Diode Forward Voltage (Note 1)		V_{SD}	$I_S=7A, V_{GS}=0V$			1.4	V
Reverse Recovery Time (Note 1)		t_{rr}	$I_S=7A, V_{GS}=0V,$		317		ns
Reverse Recovery Charge		Q_{rr}	$di/dt=100A/\mu s$		2.4		μC

Notes:

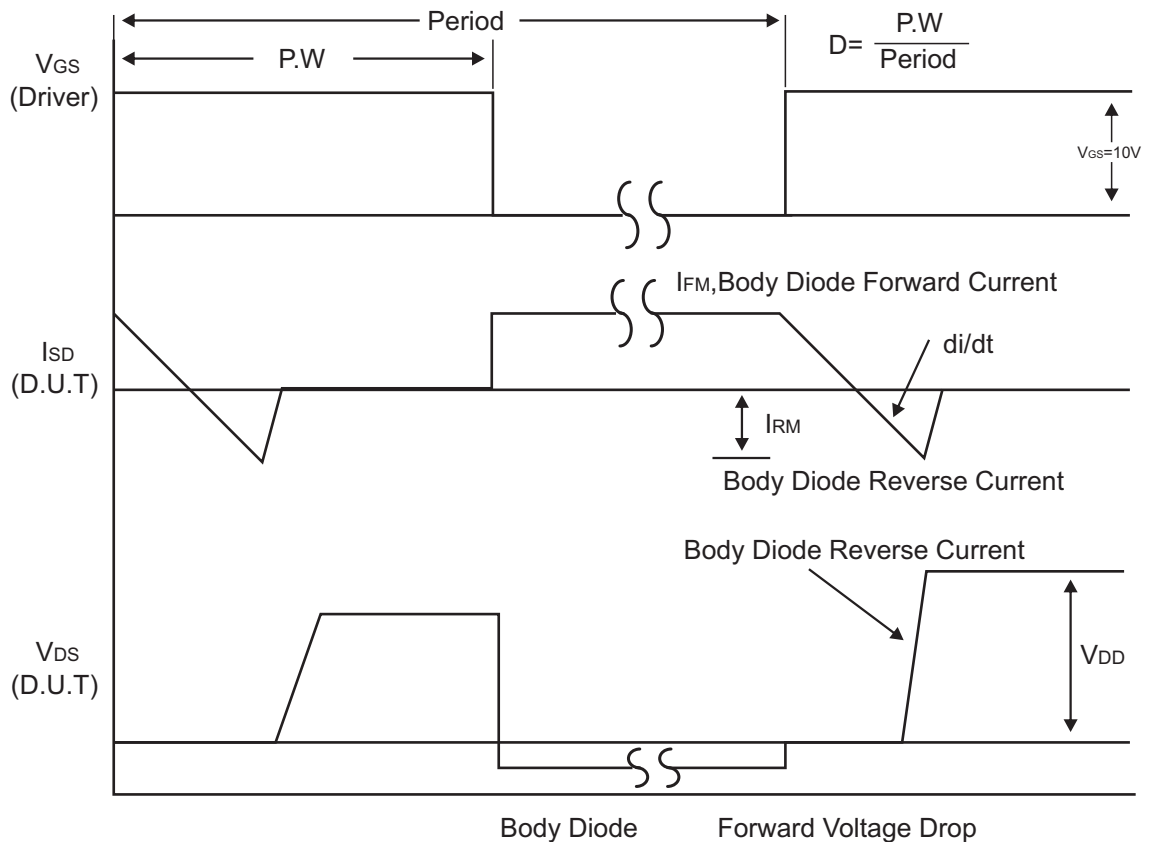
1. Pulse Test: Pulse width $\leq 300\mu s$, Duty cycle $\leq 2\%$.
2. Essentially independent of operating temperature.



Test Circuits and waveforms



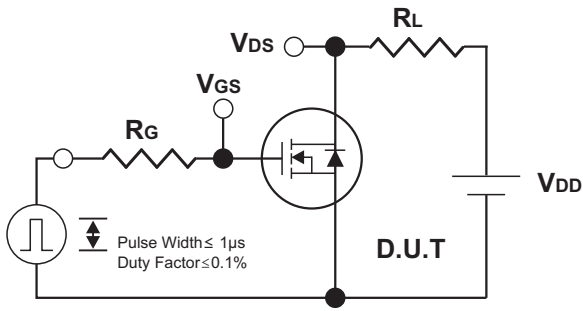
Peak Diode Recovery dv/dt Test Circuit



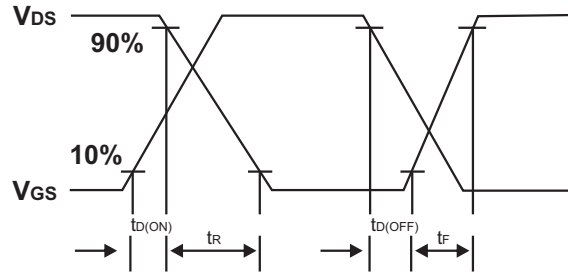
Peak Diode Recovery dv/dt Waveforms



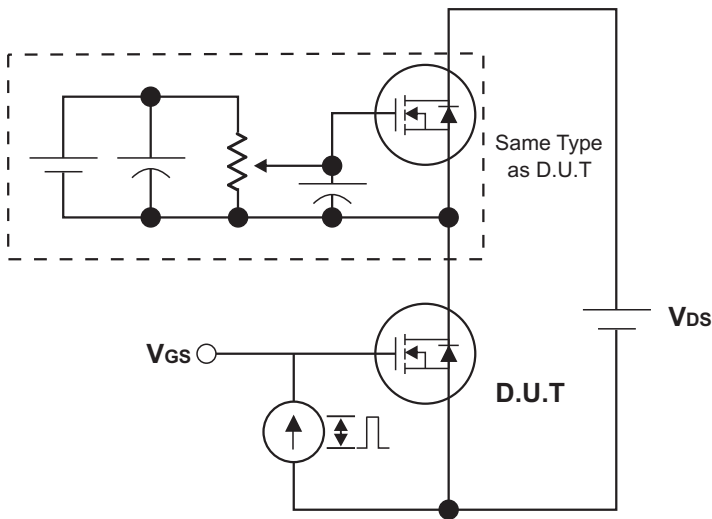
Test Circuits and waveforms



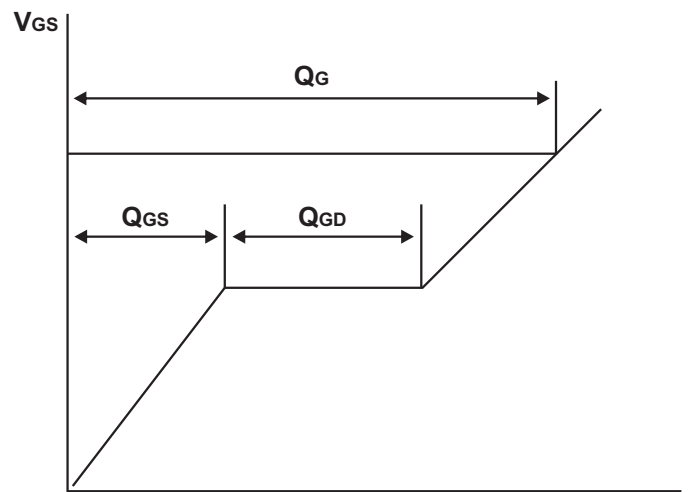
Switching Test Circuit



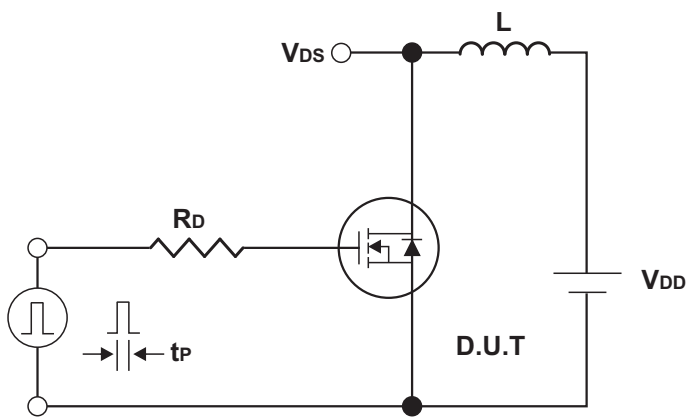
Switching Waveforms



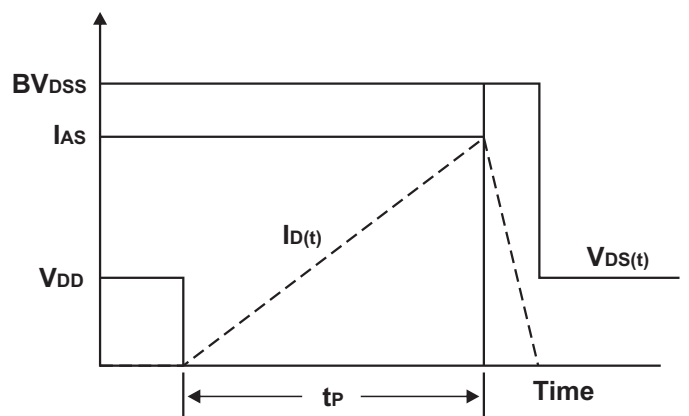
Gate Charge Test Circuit



Charge
Gate Charge Waveform



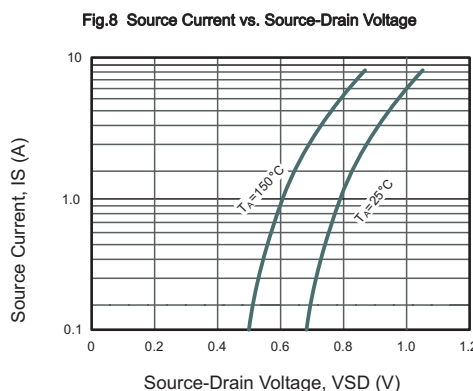
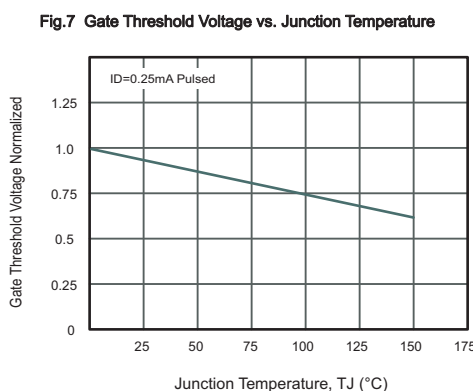
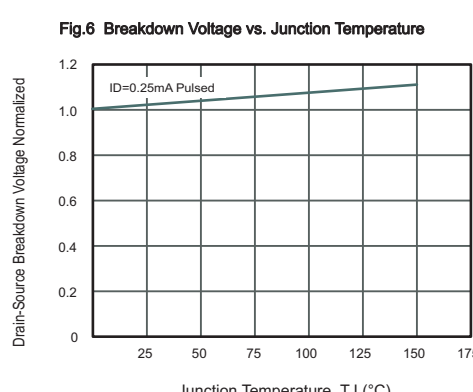
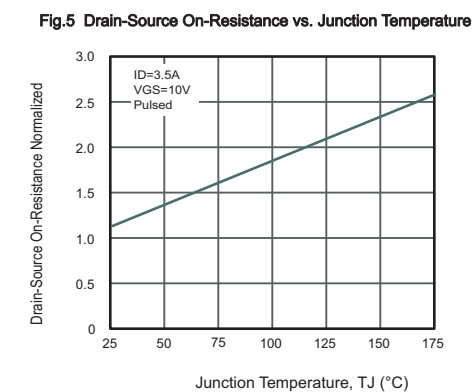
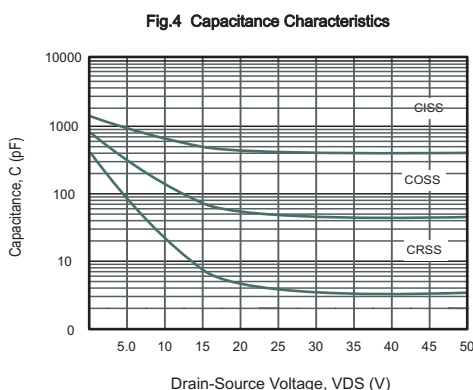
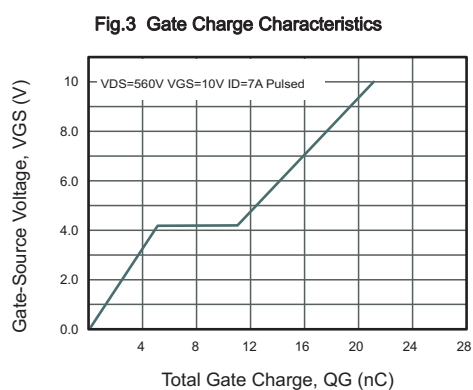
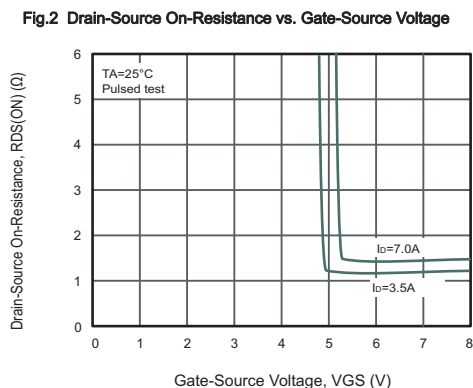
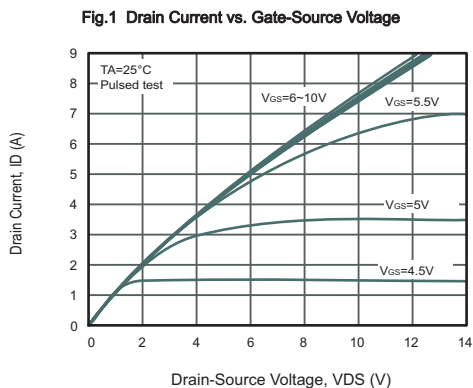
Unclamped Inductive Switching Test Circuit



Unclamped Inductive Switching Waveforms



Typical Characteristics





Typical Characteristics

Fig.9 Drain Current vs. Gate-Source Voltage

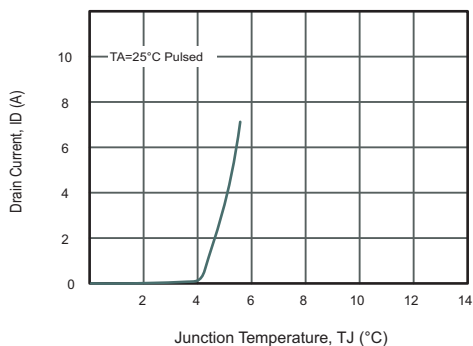


Fig.10 Drain-Source On-Resistance vs. Drain Current

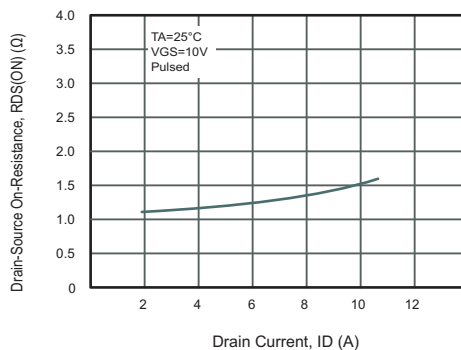


Fig.11 Power Dissipation vs. Junction Temperature

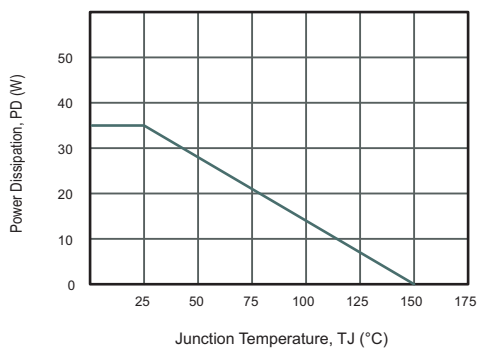


Fig.12 Drain Current vs. Junction Temperature

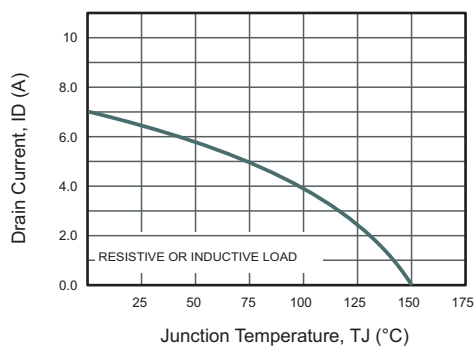
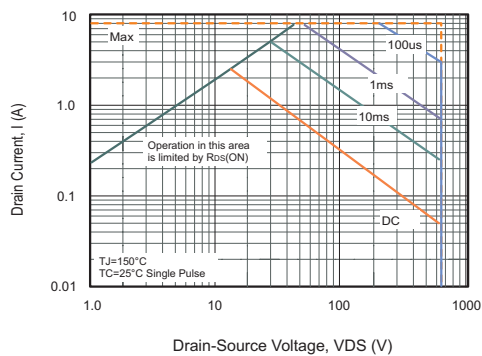


Fig.13 Safe Operating Area

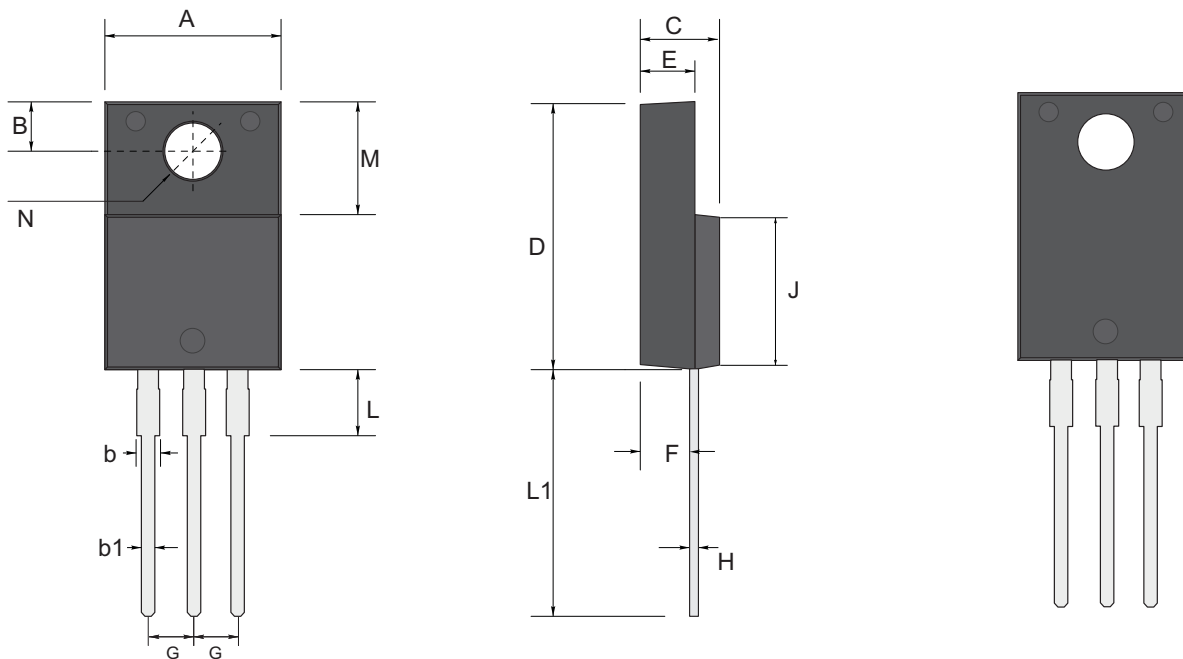




PACKAGE OUTLINE

Plastic surface mounted package; 3 leads

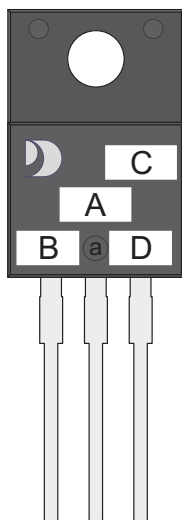
ITO-220ABW



ITO-220ABW mechanical data

UNIT		A	B	b	b1	C	D	E	F	G	H	L	L1	M	N
mm	max	10.5	2.85	1.4	0.8	4.7	16.0	2.9	2.8	2.54 TYPICAL	0.70	2.9	14.3	7.0	3.4 TYPICAL
	typ	10.0	2.70	1.2	0.6	4.5	15.0	2.7	2.7		0.55	2.5	13.5	6.8	
	min	9.85	2.54	1.1	0.5	4.4	14.7	2.5	2.5		0.41	2.3	13.0	6.3	
mil	max	413	112	55	31	185	630	114	110	100 TYPICAL	27	114	563	276	133 TYPICAL
	typ	394	106	47	24	177	590	106	106		22	98	531	267	
	min	388	100	43	20	173	580	98	98		16	91	512	248	

MARKING DIAGRAM



- Unmarkable Surface
- Marking Composition Field
- a: Ejector Pin Mark
- A: Marking Area
- B: Lot Code
- C: Additional Information
- D: Date Code (YWW)
- Y: Years(0~9)
- WW: Week



Important Notice and Disclaimer

Jingdao Microelectronics reserves the right to make changes to this document and its products and specifications at any time without notice. Customers should obtain and confirm the latest product information and specifications before final design, purchase or use.

Jingdao Microelectronics makes no warranty, representation or guarantee regarding the suitability of its products for any particular purpose, nor does Jingdao Microelectronics assume any liability for application assistance or customer product design.

Jingdao Microelectronics does not warrant or accept any liability with products which are purchased or used for any unintended or unauthorized application.

No license is granted by implication or otherwise under any intellectual property rights of Jingdao Microelectronics.

Jingdao Microelectronics products are not authorized for use as critical components in life support devices or systems without express written approval of Jingdao Microelectronics.

X-ON Electronics

Largest Supplier of Electrical and Electronic Components

Click to view similar products for [MOSFET](#) category:

Click to view products by [Jingdao](#) manufacturer:

Other Similar products are found below :

[IRFD120](#) [JANTX2N5237](#) [2SK2267\(Q\)](#) [BUK455-60A/B](#) [TK100A10N1,S4X\(S](#) [MIC4420CM-TR](#) [VN1206L](#) [NDP4060](#) [SI4482DY](#)
[IRS2092STRPBF-EL](#) [IPS70R2K0CEAKMA1](#) [TK31J60W5,S1VQ\(O](#) [TK31J60W,S1VQ\(O](#) [TK16J60W,S1VQ\(O](#) [2SK2614\(TE16L1,Q\)](#)
[DMN1017UCP3-7](#) [EFC2J004NUZTDG](#) [P85W28HP2F-7071](#) [DMN1053UCP4-7](#) [NTE2384](#) [DMC2700UDMQ-7](#) [DMN2080UCB4-7](#)
[DMN61D9UWQ-13](#) [US6M2GTR](#) [DMN31D5UDJ-7](#) [DMP22D4UFO-7B](#) [IPS60R3K4CEAKMA1](#) [DMN1006UCA6-7](#) [DMN16M9UCA6-7](#)
[STF5N65M6](#) [IRF40H233XTMA1](#) [STU5N65M6](#) [DMN6022SSD-13](#) [DMN13M9UCA6-7](#) [DMTH10H4M6SPS-13](#) [IPS60R360PFD7SAKMA1](#)
[DMN2990UFB-7B](#) [SSM3K35CT,L3F](#) [IPLK60R1K0PFD7ATMA1](#) [2N7002W-G](#) [MCAC30N06Y-TP](#) [IPWS65R035CFD7AXKSA1](#)
[MCQ7328-TP](#) [SSM3J143TU,LXHF](#) [DMN12M3UCA6-7](#) [PJMF280N65E1_T0_00201](#) [PJMF380N65E1_T0_00201](#)
[PJMF280N60E1_T0_00201](#) [PJMF600N65E1_T0_00201](#) [PJMF900N65E1_T0_00201](#)