

3D VIEW(REF)

16PIN INTERFACE(FRONT VIEW)

A1	A2	A3	A4	A5	A6	A7	A8	A9	A10	A11	A12
GND	VBUS	CC1	DP1	DN1	SBU1	VBUS	GND	GND	GND	GND	GND
GND	VBUS	SBU2	DN2	DP2	CC2	VBUS	GND	GND	GND	GND	GND
B12	B11	B10	B9	B8	B7	B6	B5	B4	B3	B2	B1

16PIN ASSIGNMENT

PIN NO.	A1&B12	A4&B9	B8	A5	B7	A6	A7	B6	A8	B5	A9&B4	A12&B1
SINGAL. NAME	GND	VBUS	SBU2	CC1	DN2	DP1	DN1	DP2	SBU1	CC2	VBUS	GND
PCB PAD NO.	C1	C2	C3	C4	C5	C6	C7	C8	C9	C10	C11	C12

14PIN INTERFACE(FRONT VIEW)

A1	A2	A3	A4	A5	A6	A7	A8	A9	A10	A11	A12
GND	VBUS	CC1	DP1	DN1	SBU1	VBUS	GND	GND	GND	GND	GND
GND	VBUS	SBU2	DN2	DP2	CC2	VBUS	GND	GND	GND	GND	GND
B12	B11	B10	B9	B8	B7	B6	B5	B4	B3	B2	B1

14PIN ASSIGNMENT

PIN NO.	A1&B12	A4&B9	B8	A5	B7	A6	A7	B6	A8	B5	A9&B4	A12&B1
SINGAL. NAME	GND	VBUS	SBU2	CC1	DN2	DP1	DN1	DP2	SBU1	CC2	VBUS	GND
PCB PAD NO.	C1	C2	C3	C4	C5	C6	C7	C8	C9	C10	C11	C12

12PIN INTERFACE(FRONT VIEW)

A1	A2	A3	A4	A5	A6	A7	A8	A9	A10	A11	A12
GND	VBUS	CC1	DP1	DN1	SBU1	VBUS	GND	GND	GND	GND	GND
GND	VBUS	SBU2	DN2	DP2	CC2	VBUS	GND	GND	GND	GND	GND
B12	B11	B10	B9	B8	B7	B6	B5	B4	B3	B2	B1

12PIN PIN ASSIGNMENT

PIN NO.	A1	B9	B8	A5	B7	A6	A7	B6	A8	B5	A9	B1
SINGAL. NAME	GND	VBUS	SBU2	CC1	DN2	DP1	DN1	DP2	SBU1	CC2	VBUS	GND
PCB PAD NO.	C1	C2	C3	C4	C5	C6	C7	C8	C9	C10	C11	C12

8PIN INTERFACE(FRONT VIEW)

A1	A2	A3	A4	A5	A6	A7	A8	A9	A10	A11	A12
GND	VBUS	CC1	DP1	DN1	SBU1	VBUS	GND	GND	GND	GND	GND
GND	VBUS	SBU2	DN2	DP2	CC2	VBUS	GND	GND	GND	GND	GND
B12	B11	B10	B9	B8	B7	B6	B5	B4	B3	B2	B1

8PIN PIN ASSIGNMENT

PIN NO.	A1&B12	A4&B9	B8	A5	B7	A6	A7	B6	A8	B5	A9&B4	A12&B1
SINGAL. NAME	GND	VBUS	SBU2	CC1	DN2	DP1	DN1	DP2	SBU1	CC2	VBUS	GND
PCB PAD NO.	C1	C2	C3	C4	C5	C6	C7	C8	C9	C10	C11	C12

- MAIN SPECIFICATION:
- VOLTAGE/CURRENT RATING: 5V/3.0 A  
电流: 5V/3.0 A
  - DIELECTRIC WITHSTAND VOLTAGE: 100VAC  
耐电压: 110V MAX
  - TEMPERATURE RANGE: -30 °C ~ 85 °C  
使用温度: -30 °C ~ 85 °C
  - CONTACT RESISTANCE: 40 MILLIONHM MAX  
电阻: 40 MILLIONHM MAX
  - INSULATION RESISTANCE: 100 MEGOHMS MIN.  
绝缘阻抗: 100 MEGOHMS MIN.
  - INITIAL INSERTION FORCE 5-20N, EXTRACTON FORCE: 8-20N  
初始插入力: 5-20N; 初始拔出力: 8-20N.
  - AFTER DURABILITY(10000CYCLES) INSERTION FORCE 5-20N  
EXACTION FORCE: 6-20N  
寿命后(10000次)插入力: 5-20N; 拔出力: 6-20N.
  - WATERPROOF GRADE: IPX7  
防水等级: IPX7.

IM NO.	AM NO.	PART NAME.	QUANTITY	NOTE
4	PUB050-0611-C04-1H (6PIN)	OUTER SHELL T2 OVER MOLDING4 HOUSING	1	SUS304 PLATED SOLDERABLE NICKEL NYLON PLASTIC
3	PUB050-1211-C04-1H (12PIN)	OUTER SHELL T2 OVER MOLDING3 HOUSING	1	SUS304 PLATED SOLDERABLE NICKEL NYLON PLASTIC
2	PUB050-1411-C04-1H (14PIN)	OUTER SHELL T2 OVER MOLDING2 HOUSING	1	SUS304 PLATED SOLDERABLE NICKEL NYLON PLASTIC
1	PUB050-1611-C04-1H (16PIN)	OUTER SHELL T2 OVER MOLDING1 HOUSING	1	SUS304 PLATED SOLDERABLE NICKEL NYLON PLASTIC

X±0.25	X°±
X±0.20	X°±5°
.XX±0.15	.XX°±3°
.XXX±0.08	.XXX°±
UNITS:	mm

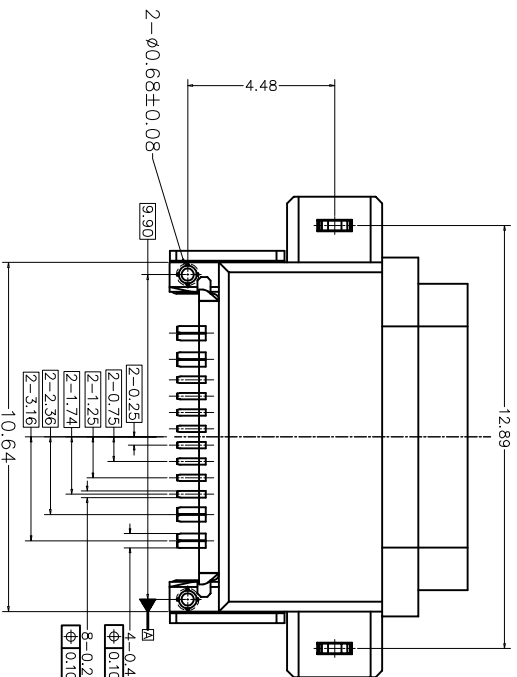
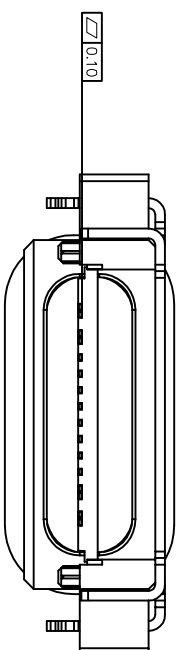
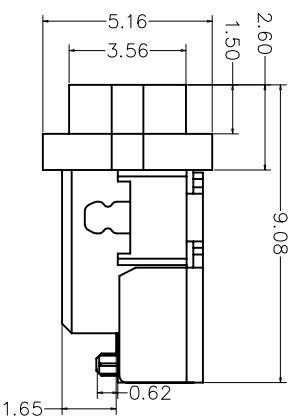
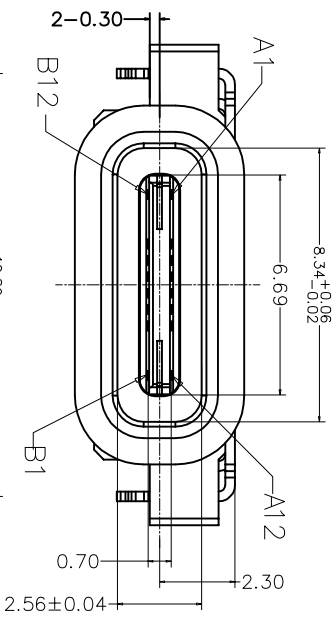
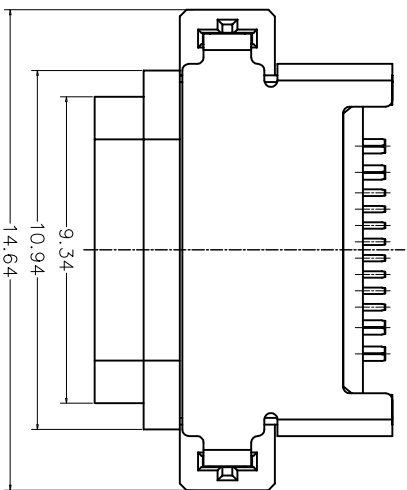
Customer P/N: 1	PART NO.: PUB050-**11C04-1H
Customer REV.: 1	
APPD: Bradley Liu 09/22/2020	DWG NO: 1070-0003-0000
CHKD: 1	
DRAW: Bradley Liu 09/22/2020	

浙江金佳电子  
TITLE: WITH SHELL T1, TYPE C 16 PIN CONN(W/P)  
SCALE SHEET REV. 1:1 1/4 X2

THESE DRAWINGS AND SPECIFICATIONS ARE THE PROPERTY OF LUXSHARE-ICT AND SHALL NOT BE REPRODUCED, COPIED OR CUED IN ANY MANNER WITHOUT THE PRIOR WRITTEN CONSENT OF LUXSHARE-ICT

APPD: Bradley Liu 09/22/2020  
CHKD: 1  
DRAW: Bradley Liu 09/22/2020

浙江金佳电子  
SCALE SHEET REV. 1:1 1/4 X2



X±0.25	X°±
X±0.20	X°±5°
.XX±0.15	.XX°±3°
.XXX±0.08	.XXX°±
UNITS:	mm

THESE DRAWINGS AND SPECIFICATIONS ARE THE PROPERTY OF LUXSHARE-ICT AND SHALL NOT BE REPRODUCED, COPIED OR CUED IN ANY MANNER WITHOUT THE PRIOR WRITTEN CONSENT OF LUXSHARE-ICT

Customer P/N: \\  
Customer REV.: \

PART NO.: PUB050-\*\*11C04-1H

APPD: Bradley Liu 09/22/2020

CHKD: \

DRAW: Bradley Liu 09/22/2020



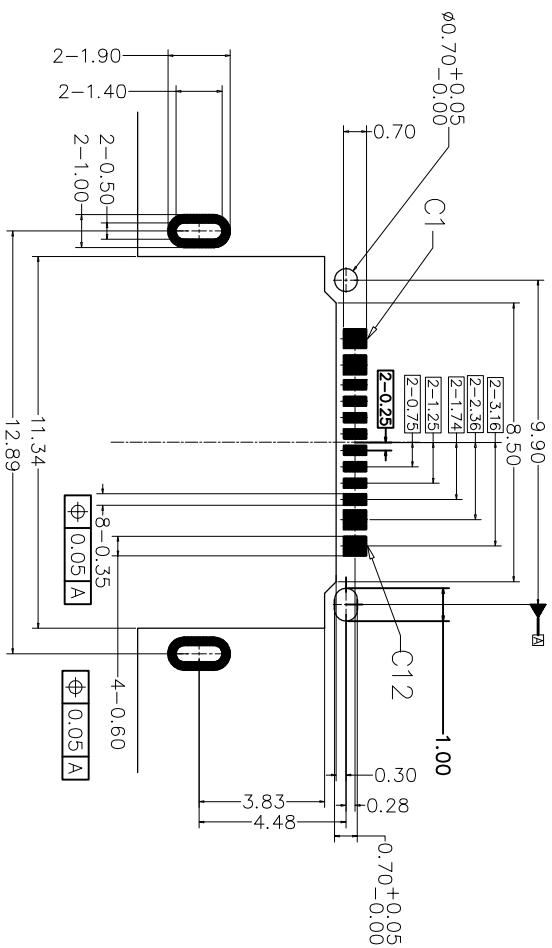
浙江金佳电子

TITLE: WITH SHELL T1, TYPE C 16 PIN CONN(W/P)

DWG NO: 1070-0003-0000

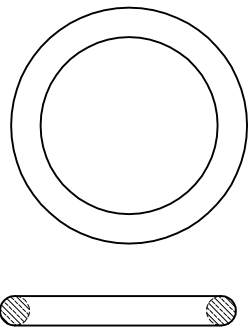
SCALE	SHEET	REV.
1:1	2/3	X2

8	7	6	5	4	3	2	1
A	B	C	D	E	F	G	H

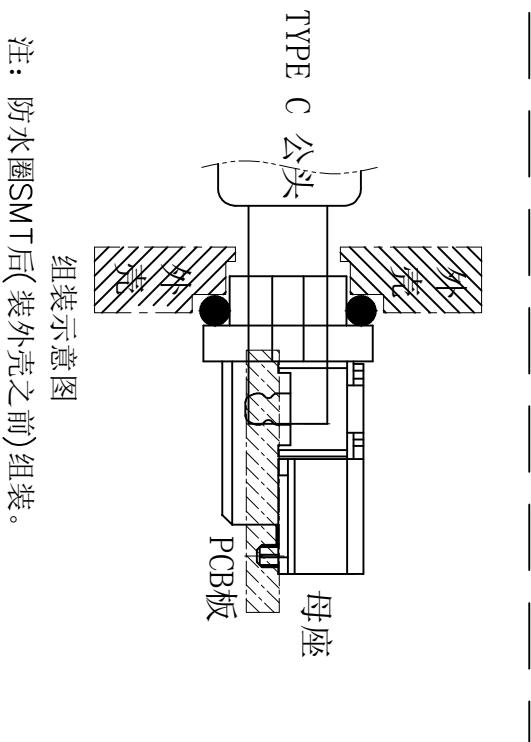


**RECOMMENDED PCB LAYOUT(TOP VIEW)**

THICKNESS T=1.0mm  
 DEFAULT TOLERANCE+ / -0.05



注：防水圈是圆形截面，直径为0.9mm的硅胶圈，防水圈挤压力，建议0.9mm挤压到0.4mm ~ 0.5mm，防水效果良好，此零件为单独出货，非组装到成品上。



注：防水圈SMT后(装外壳之前)组装。

组装示意图

X±0.25	X°±
X±0.20	X°±5°
.XX±0.15	.XX°±3°
.XXX±0.08	.XXX°±
UNITS:	mm

Customer P/N: \\  
 Customer REV.: \\  
 PART NO.: PUB050-\*\*-11C04-1H

**浙江金佳电子**  
 TITLE:  
 WITH SHELL T1, TYPE C 16 PIN CONN(WP)

APPD: Bradley Liu 09/22/2020

DWG NO: 1070-0003-0000

CHKD: \

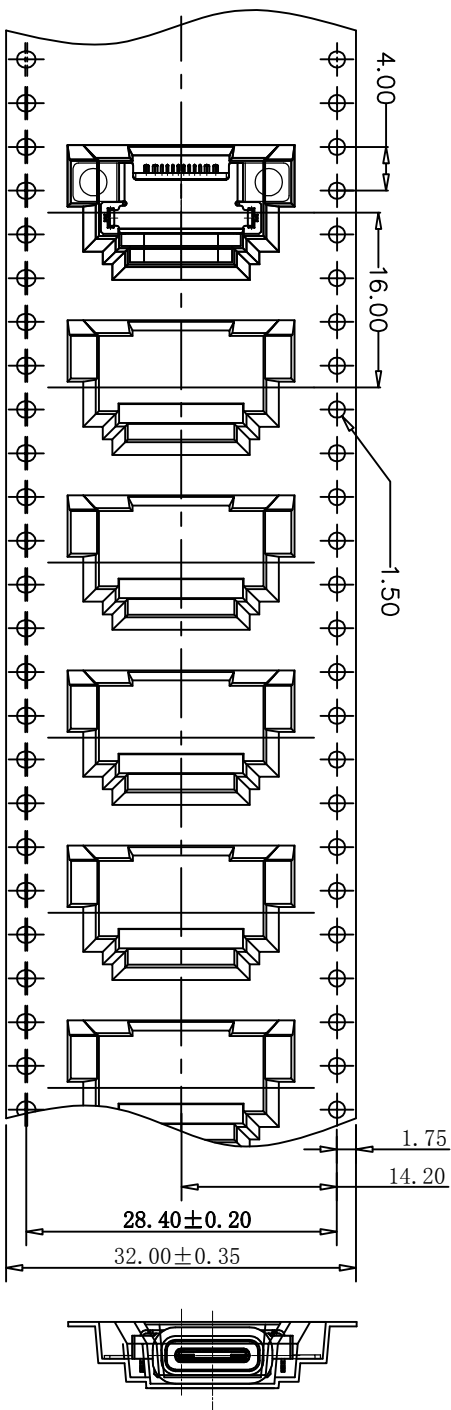
SCALE SHEET REV.

DRAW: Bradley Liu 09/22/2020



1:1 3/3 X2

THESE DRAWINGS AND SPECIFICATIONS ARE THE PROPERTY OF LUXSHARE-ICT AND SHALL NOT BE REPRODUCED, COPIED OR CUED IN ANY MANNER WITHOUT THE PRIOR WRITTEN CONSENT OF LUXSHARE-ICT

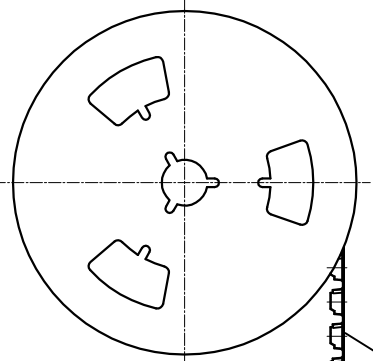


卷装轮盘

参考放料方向

盖带

载带



卷装示意图仅供参考

说明:

1. 10个边孔的累计公差不能超过 $\pm 0.3\text{mm}$ .
2. 材料规格: PS 透明
3. 13英寸卷轮卷装,
4. 13吋卷轮包装零件总颗数:720颗。(前段空包颗数:10颗, 实际包装零件颗数:700颗, 后段空包颗数:10颗).

$X \pm 0.25$	$X^\circ \pm$
$X \pm 0.20$	$X^\circ \pm 5^\circ$
$.XX \pm 0.15$	$.XX^\circ \pm 3^\circ$
$.XXX \pm 0.08$	$.XXX^\circ \pm$
UNITS:	mm

THESE DRAWINGS AND SPECIFICATIONS ARE THE PROPERTY OF LUXSHARE-ICT AND SHALL NOT BE REPRODUCED, COPIED OR CUEID IN ANY MANNER WITHOUT THE PRIOR WRITTEN CONSENT OF LUXSHARE-ICT



浙江金佳电子

TITLE: WITH SHELL T2, TYPE C 16 PIN CONN(W/P)  
金属壳T2型, TYPE C 16 PIN CONN (W/P)

DWG NO: 1070-0003-0000

APPD: Bradley Liu 09/22/2020

PART NO.: PUB050-\*\*-11-C04-1H  
Customer REV.: 1

CHKD: 1

DRAW: Bradley Liu 09/22/2020

SCALE SHEET REV. 1:1 4/4 X2



1 2 3 4 5 6 7 8

## X-ON Electronics

Largest Supplier of Electrical and Electronic Components

*Click to view similar products for [USB Connectors](#) category:*

*Click to view products by [JINJIA](#) manufacturer:*

Other Similar products are found below :

[950](#) [A-USB A-LP-SMT-C](#) [A-USB B-TOP-C](#) [MUSBA511N5](#) [MUSBC111M5](#) [MUSBD11135](#) [17-200721](#) [217450-1](#) [KMBVX-TH-5S-B30](#)  
[896-30-004-00-000000](#) [KUSBX-AS2N-W](#) [KUSBX-SMT2AP1S-W30](#) [935](#) [957](#) [30-498-6](#) [SK-60A-2](#) [1734082-1](#) [30-1574](#) [30-470](#) [30-489](#) [30-](#)  
[541](#) [30-572-3](#) [A-USB A-2P-C](#) [MIKROE-1451](#) [USBFTV2PEM2G](#) [USBFTVSCCG](#) [4689-1](#) [1-1734084-2](#) [MUSBC11135](#) [USBF21ZNSCC](#)  
[USBBFTV6ZC](#) [MUSBB151341](#) [10135326-001LF](#) [M9177/3-1](#) [TJ-105](#) [USB-A-S-F-B-VT](#) [4198](#) [690-024-633-031](#) [UB-20PMFP-LC7001](#)  
[USBFTVC6MRG](#) [UA-20BMFA-SL8001](#) [17-200011](#) [USBFTVC7ZC](#) [UB-20AFMM-LL7A01](#) [USBFTVC2MN](#) [CAP-WCCMLPB1](#) [1310-](#)  
[1031-01](#) [2041386-1](#) [2274475-3](#) [UB-20BMFA-SL8001](#)