



**2-Electrodes Gas Discharge Tubes**

Model:JKS 8-2R  
Part Number:JKS 8-2R

**1 FEATURES**

- **RoHS** compliant
- Low capacitance can work well in high frequency GHz
- Low insertion loss
- Excellent response performance to fast rising transients

**2 APPLICATIONS**

- Broadband devices
- CATV and satellite equipment
- SPD and MDF module
- Base station and antenna
- xDSL equipment
- Power supply and RF systems

**3 MODEL AND ELECTRICAL PARAMETER @ T=25°C RH = 45%-75%**

Model	DC Breakdown	DC Breakdown	Impulse Breakdown	Impulse Discharge	Insulation Resistance		Capacitance
	Volts. 100V/S	n Volts. Tolerance	Volts. 1kV/μS	Current 8/20μS	≥GΩ	DC(V)	@1MHz
	V	±%	≤V	KA	≥GΩ	DC(V)	≤pF
JKS 8-2R75	75	±20%	650	10	>1000	25	<=1
JKS 8-2R90	90	±20%	650	10	>1000	50	<=1
JKS 8-2R150	150	±20%	650	10	>1000	50	<=1
JKS 8-2R230	230	±20%	700	10	>1000	100	<=1
JKS 8-2R350	350	±20%	800	10	>1000	100	<=1
JKS 8-2R470	470	±20%	950	10	>1000	100	<=1
JKS 8-2R600	600	±20%	1050	10	>1000	100	<=1
JKS 8-2R800	800	±20%	1050	10	>1000	100	<=1
JKS 8-2R1000	1000	±20%	2000	10	>1000	100	<=1
JKS 8-2R1500	1500	±20%	2500	10	>1000	100	<=1
JKS 8-2R2000	2000	±20%	3000	10	>1000	100	<=1
JKS 8-2R3000	3000	±20%	4000	10	>1000	100	<=1
JKS 8-2R3600	3600	±20%	5000	10	>1000	100	<=1

1/ DC Breakdown Voltage@100V/S at delivery AQL 0.65 level II, DIN ISO 2859 2) in accordance with ITU-T K.12 and DIN 57845/VDE0845, GB9043-2008.

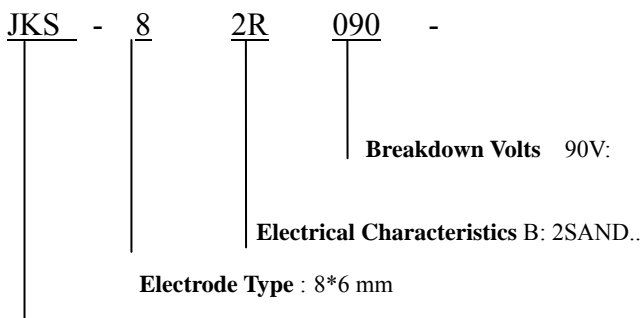
2/ Nominal impulse discharge current @8/20 μS, 5 times each polarity, single impulse discharge current @8/20μS, Maximum

3/ Weight ~0.20g

4/ Climatic category (IEC 60068-1) 40/90/21

5/ Operation and storage temperature -40~+90 °C

**4 ORDERING CODE SYSTEM**



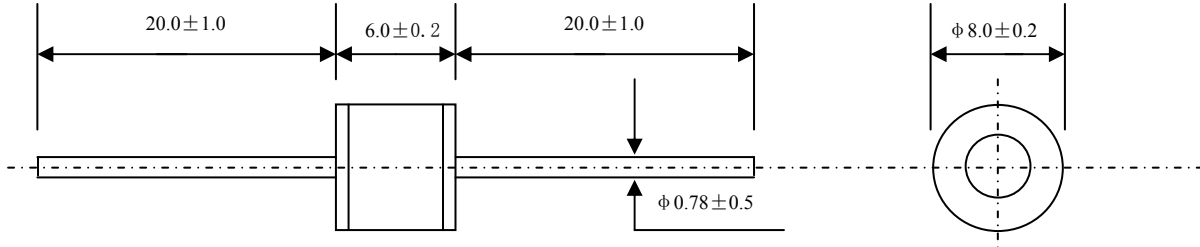
Brand Name JinKaiSheng



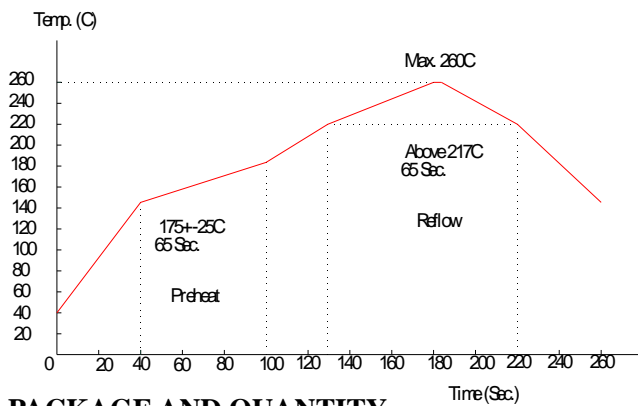
**2-Electrodes Gas Discharge Tubes**

Model:JKS 8-2R  
Part Number:JKS 8-2R

**5 COMPONENT SIZE AND CONSTRUCTION :** *Dimensions is in mm. Not to scale. Non-controlled files. ( mm )*



**6 RECOMENDED REFLOW PROFILE**



**7 PACKAGE AND QUANTITY**

Outline	Reel Diameters (mm)	QTY(PCS) Per Reel/Box	QTY(PCS) Per Carton
Taping	330	1,000	10,000

## X-ON Electronics

Largest Supplier of Electrical and Electronic Components

*Click to view similar products for* [Gas Discharge Tubes - GDTs / Gas Plasma Arrestors](#) *category:*

*Click to view products by* [Jinkaisheng](#) *manufacturer:*

Other Similar products are found below :

[M51-A90X](#) [PMT1023004](#) [PMT1040004](#) [CG2800](#) [GTCR37-231M-R10](#) [WPGT-2N145B6L](#) [WPGT-2N230B6L](#) [WPGT-2N470B6L](#) [WPGT-2RM230A6L](#) [WPGT-2RM350A6L](#) [WPGT-2RM70A6L](#) [WPGT-2RM90A6L](#) [WPGT-2S145](#) [WPGT-2S350](#) [WPGT-2S470](#) [WPGT-3R350CF](#) [WPGT-3R350G1](#) [WPGT-3R90G1](#) [WPGT-3R75G1](#) [WPGT-3R470G1](#) [WPGT-3R250C](#) [WPGT-3R230G1](#) [WPGT-2S230](#) [WPGT-2RM145A6L](#) [WPGT-2R1000B8L](#) [WPGT-2N70B6L](#) [WPGT-2N350B6L](#) [WPGT-2N230B6L1](#) [CG2145](#) [T61-C350X](#) [9071.99.0547 \(73\\_Z-0-0-547\)](#) [B88069X6940B152](#) [RF1219-000](#) [A9L16618](#) [RF2339-000](#) [9071.99.0052\(73\\_Z-0-0-52\)](#) [9071.99.0054](#) [CG32.7L](#) [CG6400SM](#) [CG6470SM](#) [CG7250MS](#) [CG7400MS](#) [SPBT12-280/1](#) [SPCT2-280/3](#) [SPCT2-280/4](#) [T2 20KA 4P](#) [2003-09-SM-RPLF](#) [2026-07-A1](#) [2026-25-C3](#) [2039-80-BLF](#)