

## APPLICATIONS

- ✧ High Definition Multi-Media Interface (HDMI).
- ✧ Digital Visual Interface (DVI).
- ✧ Unified Display Interface (UDI).
- ✧ MDDI Ports.
- ✧ PCI Express.
- ✧ Serial ATA.

## IEC COMPATIBILITY

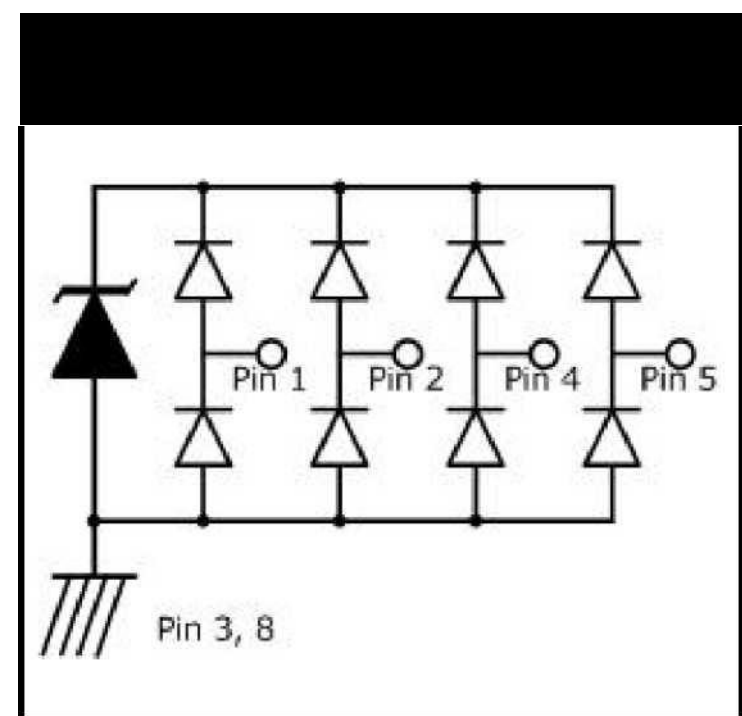
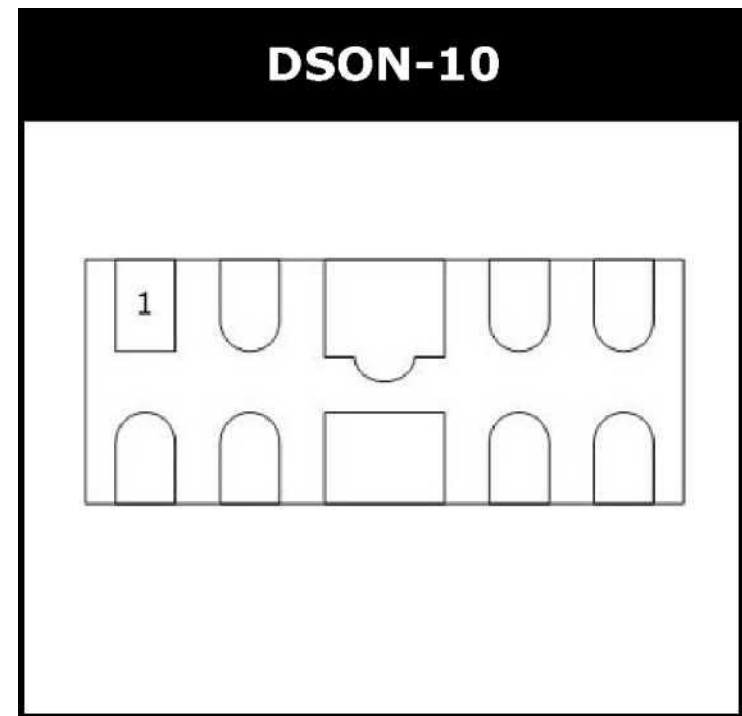
- ✧ IEC61000-4-2 (ESD)  $\pm 30\text{kV}$  (air),  $\pm 15\text{kV}$  (contact).
- ✧ IEC61000-4-4 (EFT) 40A (5/50 n s).
- ✧ IEC61000-4-5 (Lightning) 4A (8/20 $\mu\text{s}$ ).

## FEATURES

- ✧ 150 Watts Peak Pulse Power per Line ( $t_p=8/20\mu\text{s}$ ).
- ✧ Protects two or four I/O lines.
- ✧ Low capacitance: 0.3pF typical (I/O to I/O).
- ✧ Low operating voltage: 5V.
- ✧ RoHS Compliant.

## MECHANICAL CHARACTERISTICS

- ✧ DSON-10 Package.
- ✧ Molding Compound Flammability Rating : UL 94V-O.
- ✧ Weight 15 Milligrams (Approximate).
- ✧ Quantity Per Reel : 3,000pcs.
- ✧ Reel Size : 7 inch.

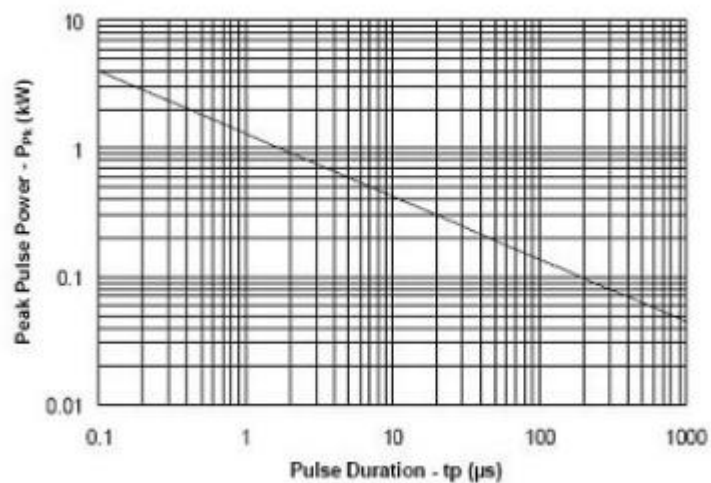
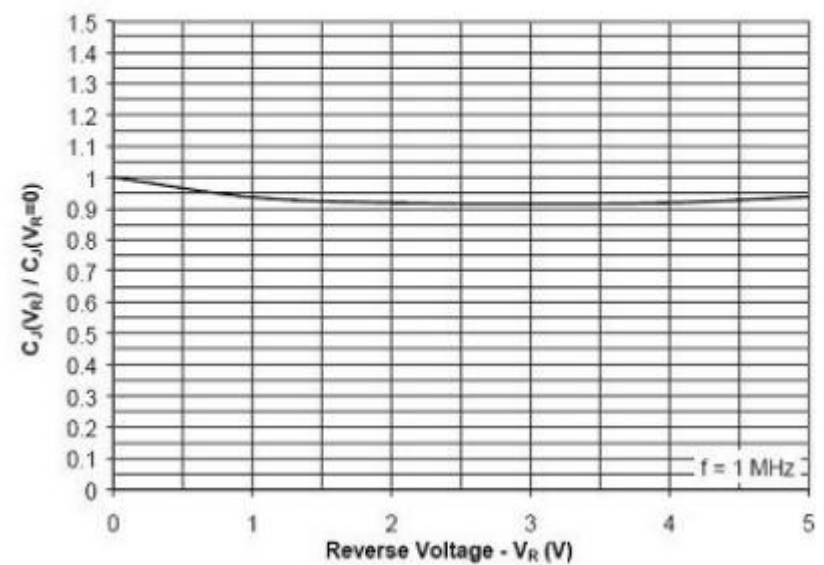
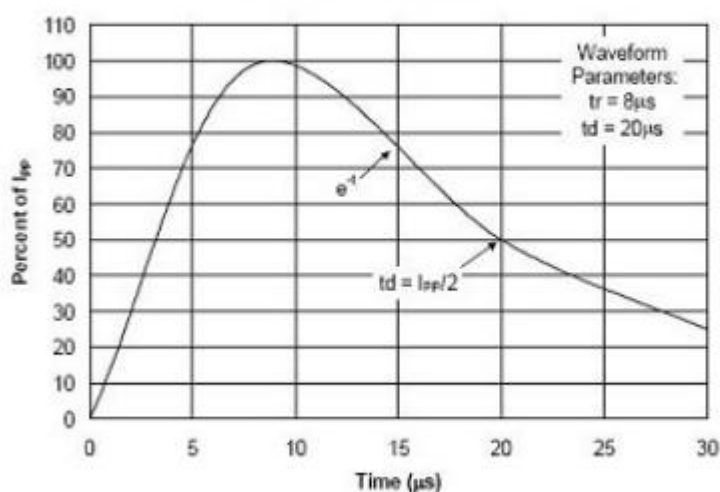


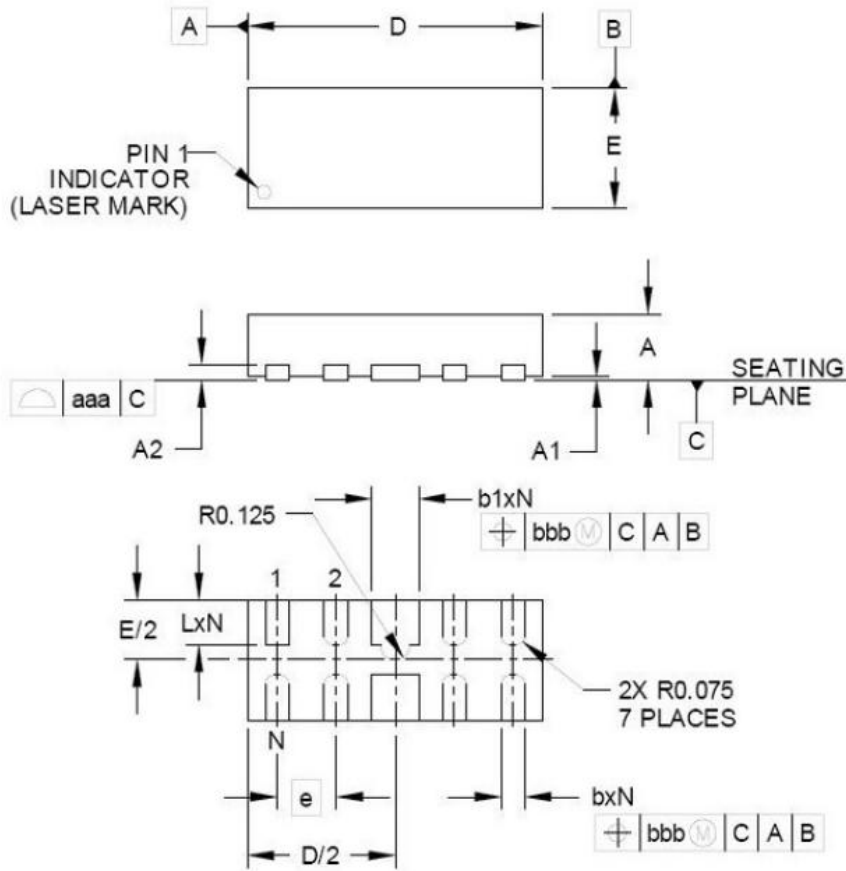
**DEVICE CHARACTERISTICS**
**MAXIMUM RATINGS (@ 25°C Unless Otherwise Specified)**

| PARAMETER                             | SYMBOL           | VALUE         | UNITS |
|---------------------------------------|------------------|---------------|-------|
| Peak Pulse Power (tp=8/20μs waveform) | P <sub>PP</sub>  | 70            | Watts |
| Lead Soldering Temperature            | T <sub>L</sub>   | 260 (10 sec.) | °C    |
| Operating Temperature Range           | T <sub>J</sub>   | -55 ~ 150     | °C    |
| Storage Temperature Range             | T <sub>STG</sub> | -55 ~ 150     | °C    |

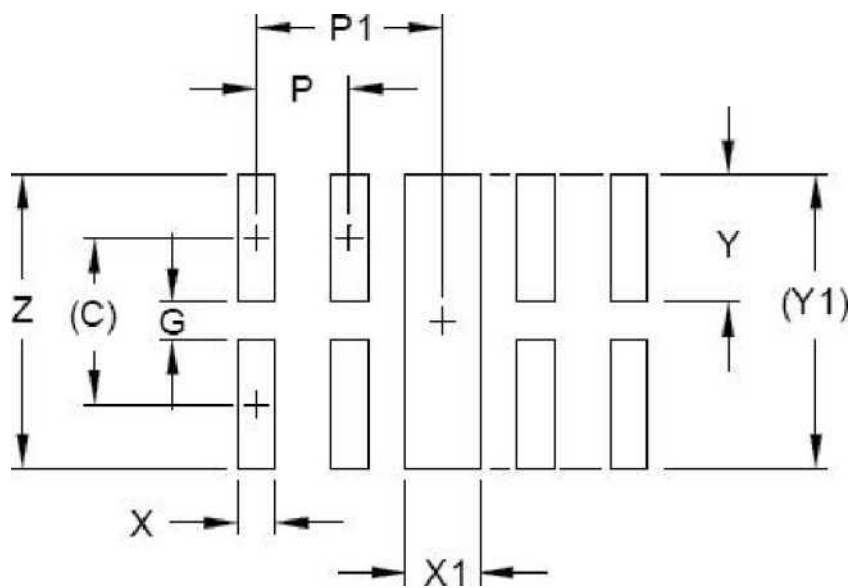
**ELECTRICAL CHARACTERISTICS PER LINE (@ 25°C Unless Otherwise Specified)**

| PART NUMBER | V <sub>RWM</sub><br>(V)<br>(max.) | V <sub>BR</sub><br>(V)<br>(min.) | I <sub>T</sub><br>(mA) | V <sub>C</sub><br>@1A<br>(max.) | V <sub>C</sub> |      | I <sub>R</sub><br>(μA)<br>(max.) | C <sub>J</sub><br>(pF)<br>(typ.) |
|-------------|-----------------------------------|----------------------------------|------------------------|---------------------------------|----------------|------|----------------------------------|----------------------------------|
|             |                                   |                                  |                        |                                 | (max.)         | (@A) |                                  |                                  |
| JULC0524P   | 5                                 | 6.0                              | 1                      | 15                              | 20             | 4    | 0.5                              | 0.6                              |

**Non-Repetitive Peak Pulse Power vs. Pulse Time**

**Normalized Capacitance vs. Reverse Voltage**

**Pulse Waveform**


**DSON-10 PACKAGE OUTLINE & DIMENSIONS**


| DIM | DIMENSIONS |        |       |             |       |       |
|-----|------------|--------|-------|-------------|-------|-------|
|     | INCHES     |        |       | MILLIMETERS |       |       |
|     | MIN        | NOM    | MAX   | MIN         | NOM   | MAX   |
| A   | .020       | .023   | .026  | 0.50        | 0.58  | 0.65  |
| A1  | 0.00       | .001   | .002  | 0.00        | 0.03  | 0.05  |
| A2  | (.005)     |        |       | (0.13)      |       |       |
| b   | .006       | .008   | .010  | 0.15        | 0.20  | 0.25  |
| b1  | .014       | .016   | .018  | 0.35        | 0.40  | 0.45  |
| D   | .094       | .098   | .102  | 2.40        | 2.50  | 2.60  |
| E   | .035       | .039   | .043  | 0.90        | 1.00  | 1.10  |
| e   | .0         | 20 BSC |       | 0.50 BSC    |       |       |
| L   | .012       | .015   | 0.017 | 0.301       | 0.381 | 0.425 |
| N   | 10         |        |       | 10          |       |       |
| aaa | .003       |        |       | 0.08        |       |       |
| bbb | .004       |        |       | 0.10        |       |       |

**\* SOLDERING FOOTPRINT**


| DIM | DIMENSIONS |             |
|-----|------------|-------------|
|     | INCHES     | MILLIMETERS |
| C   | (.034)     | (0.875)     |
| G   | .008       | 0.20        |
| P   | .020       | 0.50        |
| P1  | .039       | 1.00        |
| X   | .008       | 0.20        |
| X1  | .016       | 0.40        |
| Y   | .027       | 0.675       |
| Y1  | (.061)     | (1.55)      |
| Z   | .061       | 1.55        |

Website: <http://www.jksemit.com> For additional information, please contact your local Sales Representative.

©Copyright 2016, jksemit

## X-ON Electronics

Largest Supplier of Electrical and Electronic Components

*Click to view similar products for [ESD Suppressors / TVS Diodes](#) category:*

*Click to view products by [Jinkaisheng](#) manufacturer:*

Other Similar products are found below :

[60KS200C](#) [D18V0L1B2LP-7B](#) [D5V0F4U5P5-7](#) [DESD5V0U1BB-7](#) [NTE4902](#) [P4KE27CA](#) [P6KE11CA](#) [P6KE39CA-TP](#) [P6KE8.2A](#)  
[SA110CA](#) [SA60CA](#) [SA64CA](#) [SMBJ12CATR](#) [SMBJ33CATR](#) [SMBJ8.0A](#) [ESD101-B1-02ELS E6327](#) [ESD105-B1-02EL E6327](#) [ESD112-B1-02EL E6327](#) [ESD119B1W01005E6327XTSA1](#) [ESD5V0L1B02VH6327XTSA1](#) [ESD7451N2T5G](#) [19180-510](#) [CPDT-5V0USP-HF](#)  
[3.0SMCJ33CA-F](#) [3.0SMCJ36A-F](#) [HSPC16701B02TP](#) [D3V3Q1B2DLP3-7](#) [D55V0M1B2WS-7](#) [DESD5V0U1BL-7B](#) [DRTR5V0U4SL-7](#)  
[SCM1293A-04SO](#) [ESD200-B1-CSP0201 E6327](#) [SM12-7](#) [SMF8.0A-TP](#) [SMLJ45CA-TP](#) [CEN955 W/DATA](#) [82350120560](#) [VESD12A1A-](#)  
[HD1-GS08](#) [CPDUR5V0R-HF](#) [CPDQC5V0U-HF](#) [CPDQC5V0USP-HF](#) [CPDQC5V0-HF](#) [D1213A-01LP4-7B](#) [D1213A-02WL-7](#)  
[1SMB33CAT3G-XYZ](#) [MMAD1108/TR13](#) [5KP100A](#) [5KP15A](#) [5KP18A](#) [5KP48A](#)